

# *ivy* | REC

## USER MANUAL



# Canon

# CONTENTS

## **SAFETY INFORMATION** P3-5

Read Before Use

Maintaining The Device

Waterproof Cautions

## **OVERVIEW** P6

Supplied Items

Product Features

## **GETTING STARTED** P7-11

Charging

Inserting/Removing MicroSD Card

Power ON/OFF

First Time Pairing With Your Mobile Device

Camera Default Settings

## **OPERATIONS** P12-13

Wireless Mode

Photo Mode

Video Mode

Multi Mode

## **LED INDICATIONS** P14

## **ACCESSORY** P15

## **TROUBLESHOOTING** P16

## **SPECIFICATIONS** P17

# SAFETY INFORMATION

## READ BEFORE USE

Please read the following instructions and safety precautions before using the device.

For regulatory and additional safety information, refer to the Safety Precautions and Warranty Information leaflet included in your package contents.

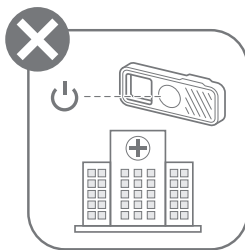
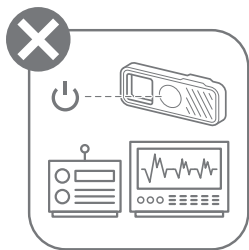
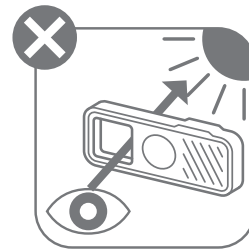
### RMN: PG1001

Regulatory Model Identification Number is assigned for regulatory identification purpose.



## WARNING

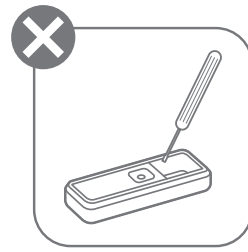
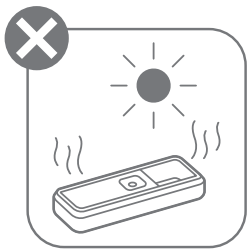
Used to indicate a potentially hazardous situation which, if not avoided, could result in death or serious injury.



- Keep away from children and infants. Improper use of this product may cause suffocation or accident.
- Stop using the device immediately if it emits smoke or a strange smell, or otherwise behaves abnormally.
- A strap wound around a child's neck may result in asphyxiation. If your product uses a power cord, mistakenly winding the cord around a child's neck may result in asphyxiation.
- Turn the device off in places where camera use is prohibited. The electromagnetic waves emitted by the camera may interfere with the operation of electronic instruments and other devices. Exercise adequate caution when using the product in places where use of electronic devices is restricted, such as inside aeroplanes and medical facilities.
- This product is embedded with magnets. Please be careful if implanted electronic devices (such as cardiac pacemakers) are nearby, as magnets may cause malfunctions. If this happens, please distance the magnet from the implanted electronic device and consult a doctor immediately.

## CAUTION

Used to indicate the level of a hazard or damage which, if product is handled erroneously, may result in injury or property damage other than product faults.



- Electromagnetic interference or electrostatic discharge may cause the device to malfunction or the MicroSD card memory to be lost or altered. Should this occur, use a pin with a blunt end to press the Reset Button at the rear of the device for more than 10 seconds. Take care when pressing the Reset Button, as pressing in the wrong area may cause product damage.
- Never expose the battery to high temperatures, direct heat, or dispose by incineration. Do not dry the device with an external heat source such as a microwave oven or a hair dryer. This could cause overheating, explosion of battery, fire, burns or other injuries.
- The device has a clip for easy carrying. Do not use for other purposes than the hook function of this product. Do not use for climbing.
- Be careful not to pinch your fingers when using the clip and not to bend the hook, this may cause injury.
- Do not attempt to disassemble the device as this could cause an electric shock or injury.
- Dispose of the product in accordance with local regulations.

## MAINTAINING THE DEVICE

- Please charge the device at the recommended temperature of 15° to 32°C.
- Use and keep the device in the recommended environment of 15° to 32°C. Avoid using or storing the device in humid or dusty places.
- After the device is exposed to dirty water, rinse it with fresh water and dry it completely with a soft cloth.
- The device is shockproof to 2 m (6.6 ft.). However, strong impacts could cause physical damage to the device and cause it to malfunction. Be careful to avoid exposure to excessive shocks.
- Avoid sitting down with the device in your pocket. This may damage your device and cause it to malfunction.

## WATERPROOF CAUTIONS

- IP68 water resistance test is performed under IEC standards using freshwater.
- Use within a water depth of 2 m (6.6 ft.) with the side cover closed tightly for up to 30 minutes.
- Do not open the side cover of the device under water, this may cause the device to malfunction.
- Rinse the device with clean water and dry it with a soft cloth completely after using the device in the sea or in chlorinated water, otherwise it may cause corrosion, discoloration or deterioration of waterproof performance. If exposed to non-freshwater, rinsing immediately with freshwater is recommended.
- Do not wash with chemicals, soap, neutral detergents, or alcohol.
- Keep away from hands with sun oil or sun screen. Doing so may cause discoloration or deterioration of material.
- The waterproof performance is not guaranteed if the camera is dropped or subjected to other impact shock.

# OVERVIEW

## SUPPLIED ITEMS



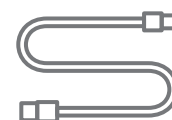
Outdoor Camera



Basic Setup

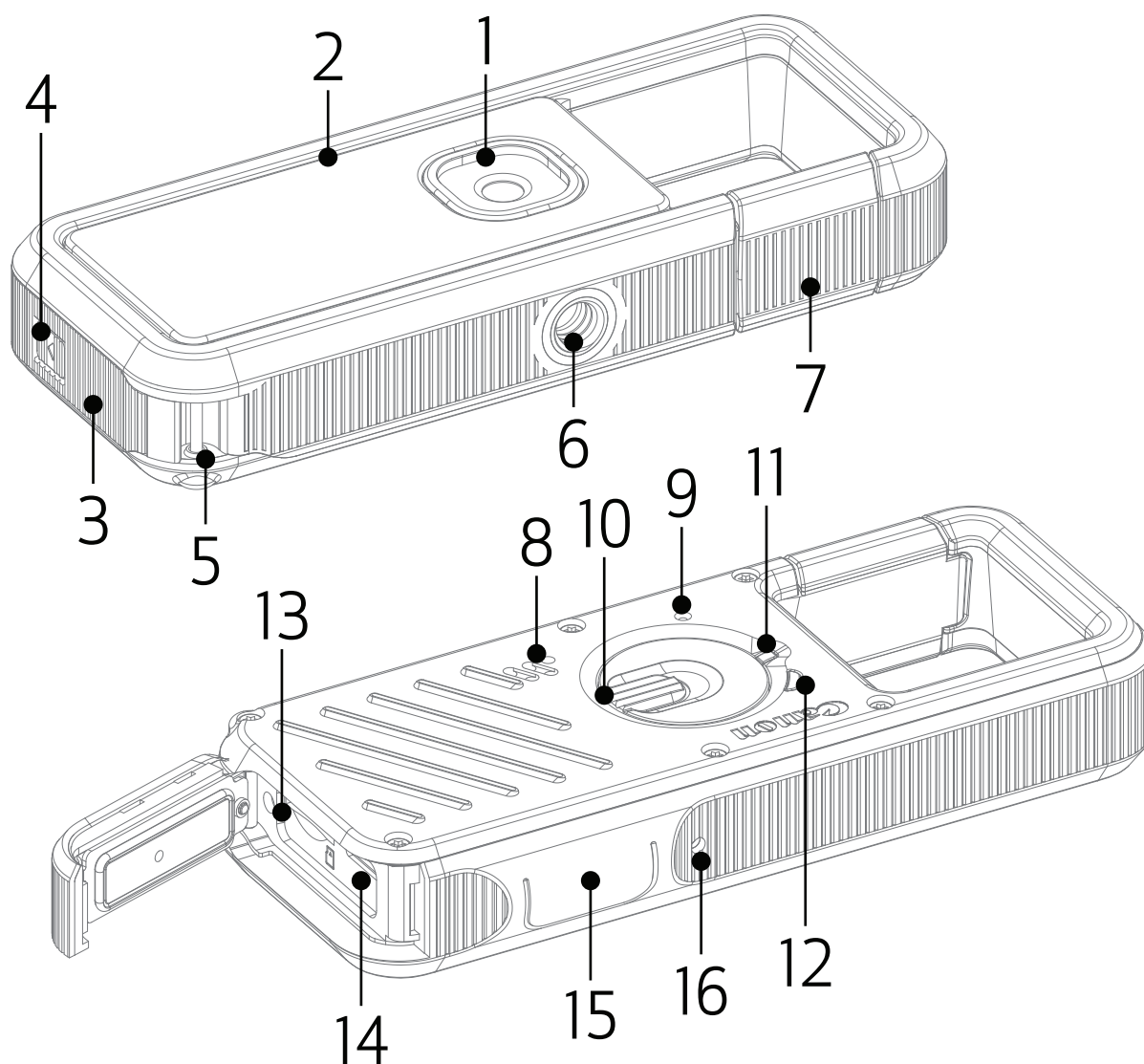


Safety Precautions  
and Warranty  
Information



USB Cable

## PRODUCT FEATURES



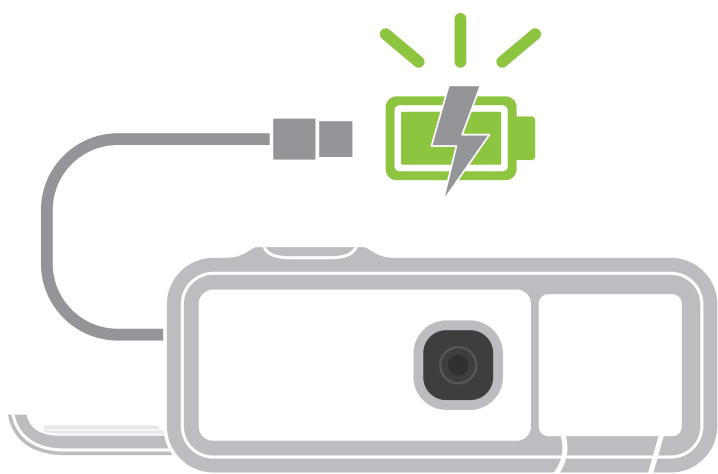
- ① Camera Lens
- ② Detachable Faceplate
- ③ Side Cover
- ④ Latch Release Button
- ⑤ Strap Hole
- ⑥ Tripod Screw Hole
- ⑦ Clip
- ⑧ Speaker
- ⑨ Reset Button
- ⑩ ON/OFF/Mode Dial Switch
- ⑪ Mode LED
- ⑫ Status LED
- ⑬ MicroSD Card Slot (up to 256GB)
- ⑭ Micro USB Port
- ⑮ Shutter Button
- ⑯ Microphone

\*To reset all parameters to default setting, turn on the device, then use a pin with a blunt end to press the Reset button, and press the Shutter Button at the same time. The device will restart automatically.



\*If your device is unresponsive, hold the Reset button for more than 10 seconds with a pin with a blunt end. The device will force power off. Switch the Mode Dial or press the Shutter Button to restart.

# GETTING STARTED

## CHARGING



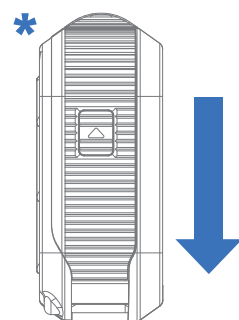
### MODE LED

Charging:	Red	
Fully Charged:	Green	

- 1 Press on the latch release button, and slide the side cover upward to open it.
- 2 Insert the smaller end of the supplied USB cable into the device and the other end into a chargeable USB adapter.
- 3 The Mode LED will turn red to indicate charging.
- 4 Once fully charged, the Mode LED will turn green.
  - Operating time may vary depending on the battery status, operational status and environment conditions.

### ! NOTE

- When you close the cover, make sure the side cover returns to the position shown.

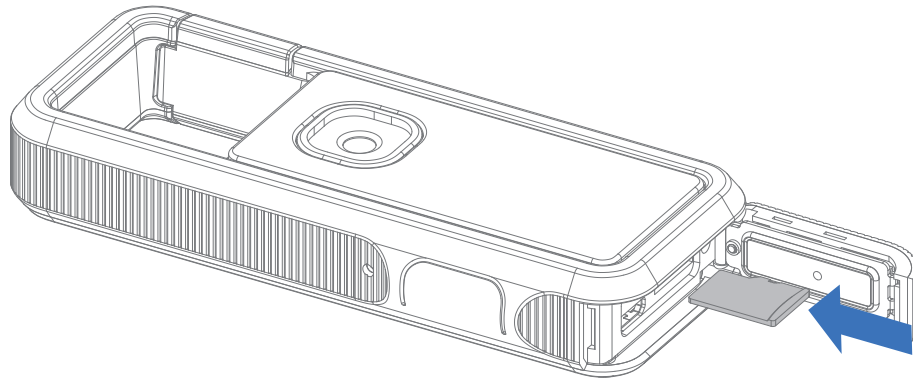


## ABOUT USB CABLE

### HANDLE THE USB CABLE WITH CARE WHILE CHARGING

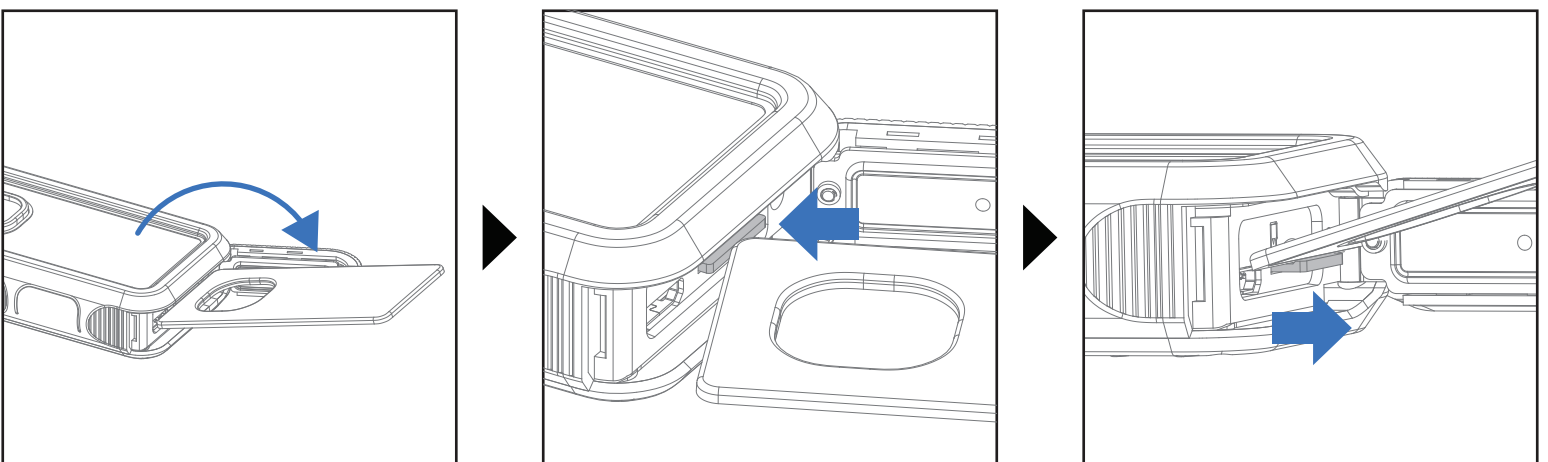
- Do not place any heavy objects on top of the cable.
- Do not place the USB cable near heat.
- Do not scratch, damage, twist or pull hard on the cable.
- Do not plug or unplug the cable with wet hands.
- Avoid too high/too low temperature or humid conditions.
- Please unplug the USB cable from the power source after charging.
- Please use the supplied USB cable for charging.

## INSERTING/REMOVING MicroSD CARD



### INSERT AND REMOVE THE MicroSD CARD

- Press on the latch release button and slide the side cover upward to open it.
- Insert the MicroSD card into the MicroSD card slot hidden by the side cover. You will feel a slight click when the card is fully inserted.
- Push on the top of the MicroSD card to release it. Gently pull it out to fully remove it from the device.
- The user may use any kind of tools, such as the detachable faceplate, to help with inserting or removing the MicroSD card, if they are not able to press on the card.
- If there is an error with reading/writing to the MicroSD card. Remove the MicroSD card and restart the device.
- Connect the device to a computer by the USB cable provided. Double-click the external drive image when it appears on the computer to view and save the photos.



### ! NOTE

- The detachable faceplate can act as tool for inserting or removing the MicroSD Card. By using a corner of the faceplate to press down the MicroSD Card into the slot, or press and take out the MicroSD Card from the slot.





An external MicroSD card (up to 256 GB) is needed for saving captured photos and videos.

Only FAT16, FAT32 and exFAT formats are supported. Class 10 or above is recommended for a satisfying user experience.

Use the following memory cards (sold separately)

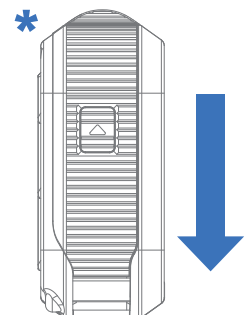
- MicroSD memory cards <sup>\*1</sup>
- MicroSDHC memory cards <sup>\*1\*2</sup>
- MicroSDXC memory cards <sup>\*1\*2</sup>

<sup>\*1</sup> Cards conforming to SD standards. However, not all memory cards have been verified to work with the camera.

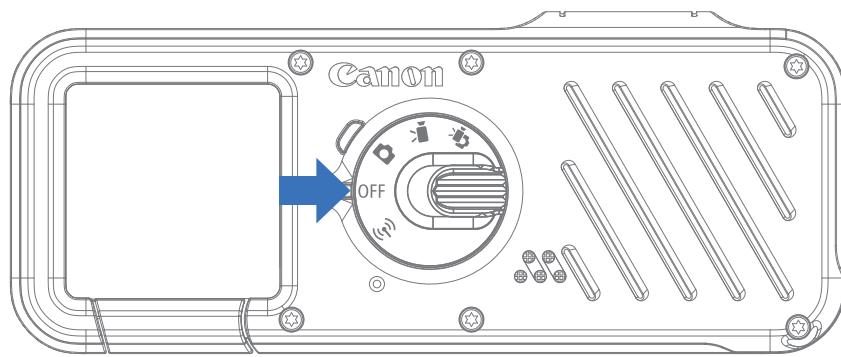
<sup>\*2</sup> UHS-I memory cards are also supported.

## ! NOTE

- Remember to close the side cover firmly after inserting or removing a MicroSD card. Water, dust and other particles getting inside the device could cause damage and malfunction.
- Do not open the cover when the camera is wet or submerged in water. If there is moisture on the camera, wipe it off with a soft, dry cloth until it is completely dry.
- Make sure that the waterproof seals and the areas around them are kept free from scratches and foreign objects such as sand, dirt, or hair. These may cause leakage inside.
- When you close the cover, make sure the side cover returns to the position shown.



## POWER ON/OFF



- Turn the Mode Dial from <OFF> to any other mode, the device will turn on in around 4 seconds.
- Turn the Mode Dial to <OFF> to turn off the device.

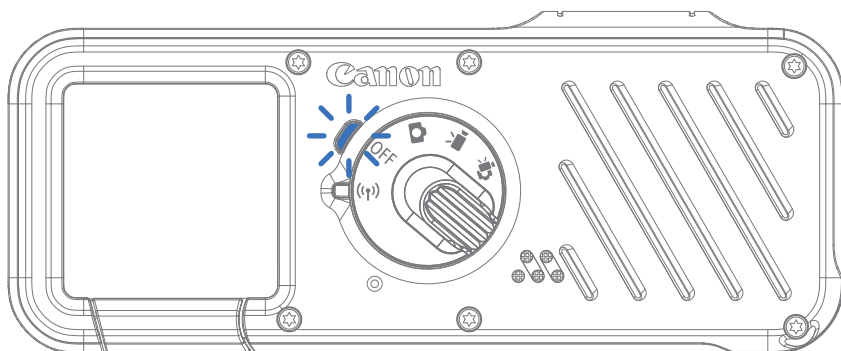
## AUTO POWER OFF

The device will power off automatically when idle for 3 minutes (default).

- The user can resume the device by pressing the Shutter Button or turning the Mode Dial to any mode.
- The user can change the time (3 minutes/5 minutes/10 minutes) in the app.

## FIRST TIME PAIRING WITH YOUR MOBILE DEVICE

- 1 Turn the Mode Dial to ((P)) wireless mode.



- 2 Tap on "Add Device" under the main menu of the Canon Mini Cam app.
- 3 Follow the on-screen instructions for pairing.
- 4 The Status LED light will turn green after the pairing is successfully done.

### ! NOTE

- Bluetooth® and Wi-Fi are required. Wi-Fi connection performance may be affected by operation environment and the distance between the camera and Mobile Device.
- The device will exit pairing mode if there is no new pairing request from the Mobile Device for 3 minutes.
- Pairing Mode will be terminated if the user switches to other operation modes during device pairing.
- Keep your device firmware up-to-date. To check if your firmware needs to be upgraded, - open the Canon Mini Cam app, go to the Main Menu > Settings > Device info, then tap "Firmware Upgrade".
- Make sure your mobile device has an internet connection before checking. If you need to upgrade the firmware, your camera must be charged to 50% or higher.
- Make sure you are using the latest Canon Mini Cam app version. If your app does not automatically update, go to the app store and check if you need to update.

## CAMERA DEFAULT SETTINGS

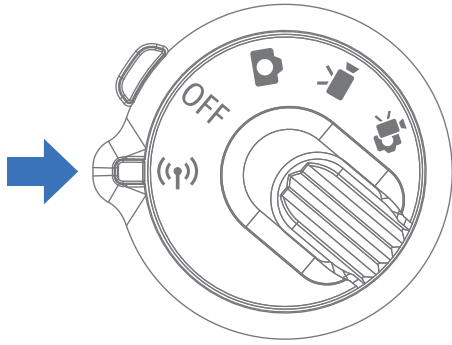
Your camera has the following default settings and options.

	Default Settings	Options
<b>Photo Aspect Ratio</b>	4:3	- 4:3 - 1:1
<b>Photo Resolution</b>	High	- High • 4:3 - 4160 x 3120 • 1:1 - 3104 x 3104 - Medium • 4:3 - 2944 x 2208 • 1:1 - 2208 x 2208 - Low • 4:3 - 2080 x 1560 • 1:1 - 1568 x 1568
<b>Video Resolution</b>	720p 30fps	- 720p 30fps - 1080p 30fps - 1080p 60fps
<b>Camera Auto Power Save</b>	3 minutes	- 3 minutes - 5 minutes - 10 minutes

- You can change the default settings in the Canon Mini Cam app when the device is connected with your Mobile Device.
- Bluetooth® is required.
- The device will pair with your Mobile Device automatically after the first time pairing is done.
- Any changes to the above camera settings, except "Camera Auto Power Save", can only be synchronized between "Photo Mode", "Video Mode" and "Multi Mode". The "Wireless Mode" camera setting can only be modified under the "Live View" function.

# OPERATIONS

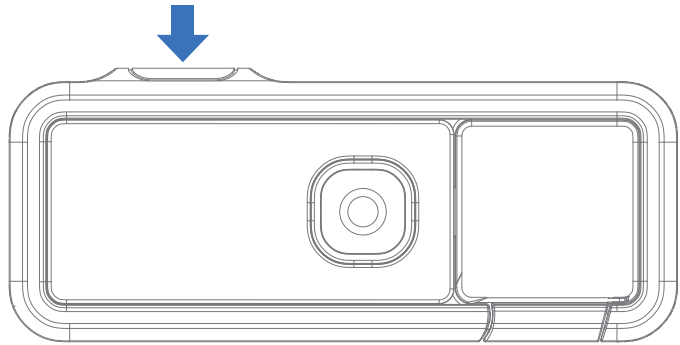
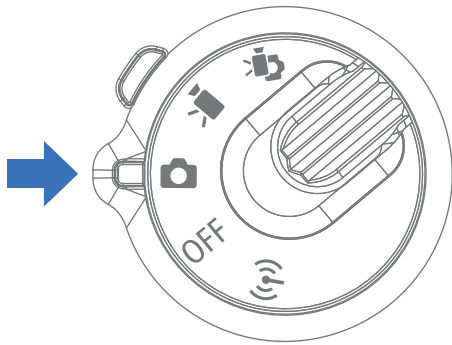
## WIRELESS MODE



Connect your device to a Mobile Device for the operations below:

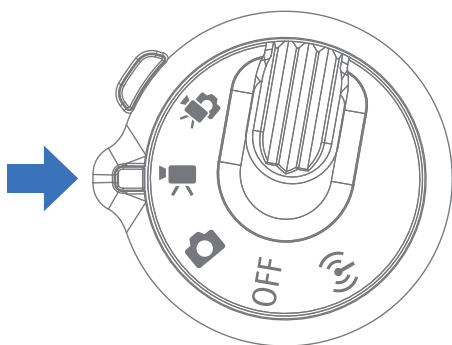
- Remote shooting photo/video
- Live View for photo/video capture
- Access DCIM folders stored in the MicroSD Card, including being able to "View", "Delete", "Edit", or "Download the photo/video to Mobile Device" from the MicroSD card.

## PHOTO MODE



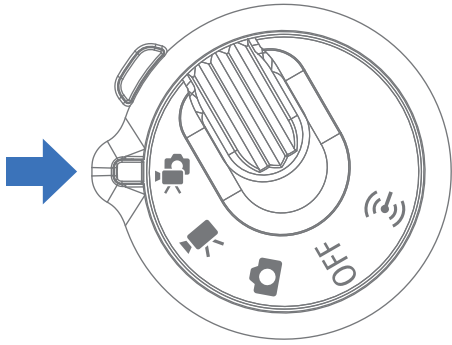
- Press the Shutter Button to capture a photo.
- Press and hold the Shutter Button to shoot continuously. (2fps)

## VIDEO MODE

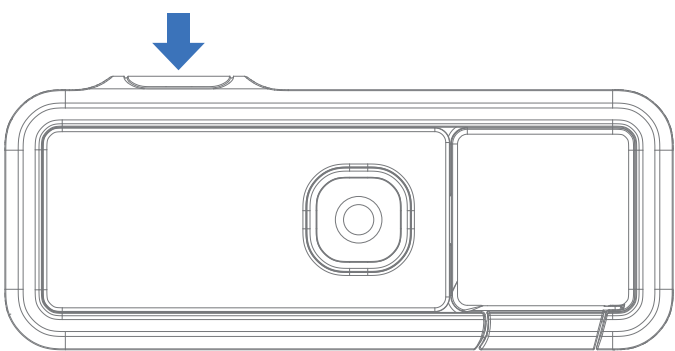


- Start video recording by pressing the Shutter Button once.
- The Status LED will blink slowly in red to indicate that the video is recording.
- Press the Shutter Button again to stop video recording.
- The maximum video length is 10 minutes.

## MULTI MODE

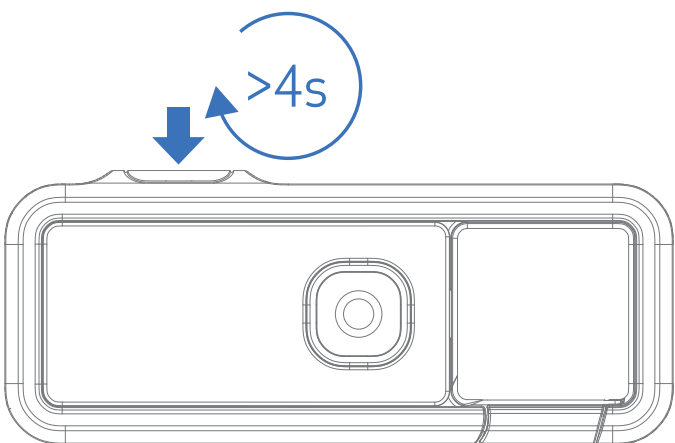


You can either capture photos or record videos using different shutter operations.



### PHOTO

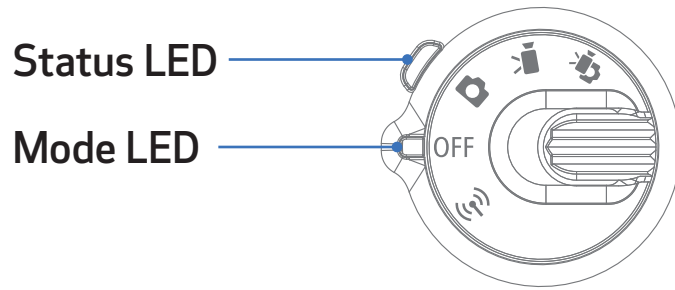
- Press the Shutter Button once to capture a photo.
- Continuous photo recording is not available in Multi Mode.







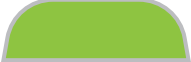







### VIDEO

- Press and hold the Shutter Button for more than 4 seconds to start video recording.
- Keep holding the Shutter Button to record video.
- Video recording will stop once you release the Shutter Button. The maximum video length is 10 minutes.

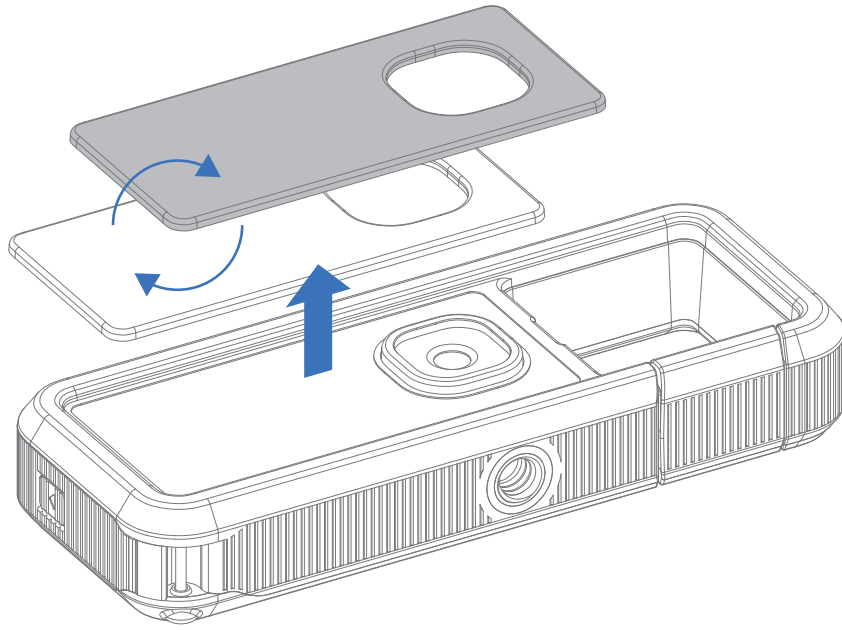
# LED INDICATIONS



Status	Mode LED	Status LED
Powered On & Standby (Photo/Video/Multi/ Wireless Modes)	 Green	
Powered Off/ Auto-Power off	 Off	
Low Battery	 Red (Blinking rapidly)	
Charging	 Red	
Fully charged	 Green	
Bluetooth® pairing		 Green > Red (Looping)
Wi-Fi connected		 Green
Photo captured and saved		 Red (Blink once)
Video recording		 Red (Blinking slowly)
Mass Storage mode		 Green
Data transferring under Mass Storage mode		 Green (Blinking rapidly)
Firmware upgrading		 Green (Blinking slowly)

# ACCESSORY

## DETACHABLE FACEPLATE



The device has a detachable faceplate. Gently lift up the detachable faceplate to remove it. Customize the device by changing the faceplate.

\* Additional faceplates are sold separately.

# TROUBLESHOOTING



When the Status LED is blinking red rapidly, it may be related to one of the following reasons.

Error	Actions
<b>Device does not work</b>	<ul style="list-style-type: none"><li>• Make sure the battery level is not too low. If it is, recharge the device</li><li>• Press the reset button for 10s to restart if the device is unresponsive</li><li>• Make sure if the MicroSD card is inserted without card error</li><li>• Make sure the firmware is up-to-date or successfully upgraded. If not, please redo the firmware upgrade</li></ul>
<b>MicroSD Card Error</b>	<ul style="list-style-type: none"><li>• Check if the MicroSD card is inserted properly</li><li>• Check if the MicroSD card is full</li><li>• Check if the MicroSD card is corrupted</li><li>• Check if the MicroSD card is compatible</li></ul>
<b>Overheating</b>	<ul style="list-style-type: none"><li>• Wait until the device temperature returns to normal, the device will resume working again</li></ul>
<b>Lost Connection</b>	<ul style="list-style-type: none"><li>• Make sure the Mobile Device Bluetooth®/Wi-Fi connection is properly set up</li><li>• Make sure the selected device on the app is correct</li><li>• Make sure the Mobile Device OS is compatible and up-to-date</li></ul>
<b>Remote Control Failed</b>	<ul style="list-style-type: none"><li>• Make sure the device is connected with the app</li><li>• Make sure the app and firmware are up-to-date</li></ul>



# SPECIFICATIONS

Photo Resolution	13MP
Video Resolution	1080p 60fps 1080p 30fps 720p 30fps (supports Live View recording)
Video Format	MPEG-4
Zoom	Fixed
Focal Length (35mm film equivalent)	25.4 mm
Aperture	f/2.2
Focusing Range	50 cm - ∞
Sensitivity	Auto (ISO 100 - 3200)
White Balance	Auto
Exposure Adjustment	Auto
Electronic Image Stabilization (EIS)	Yes
Memory Card	MicroSD / MicroSDHC / MicroSDXC Memory Cards, up to 256GB
Microphone	Mono
Power Source	Built-in Rechargeable lithium polymer Battery, 660mAh, 3.8V
Charging Speed	Approximately 180 minutes (Full Charge)
Shooting capacity	Photo Shooting:           Approx. 1000 shots Video Recording Time:   Approx. 60 min (CIPA compliant)
Power Adapter	Output current: 1A (min) Voltage:           5V
Environment Parameters	Operating Temperature: -10 °C to 40 °C Recommended Operating, Charging and Storage Temperature: 15 °C to 32 °C
Automatically Power-Off	3 mins / 5 mins / 10 mins (selectable in-app)
Dimension	110.5 mm (W) x 45.2 mm (H) x 18.5 mm (D)
Weight	90 g
Compatible OS (for computer)	Windows 7 / 8 / 8.1 / 10 Mac OSX 10.10-10.14
Connectivity	Bluetooth® 4.2 Wireless IEEE 802.11 b/g/n
GPS (Synchronize via App under Wireless mode)	Yes
Compatible OS	iOS 11 or above & Android 5.1 or above
Mobile Application	Canon Mini Cam
Connection for Charging and Data Transfer	USB 2.0 (Micro USB)

All specifications are subject to change without notice



If the device is not functioning properly, please contact the dealer you purchased this product from or Canon Service & Support at [www.canon-europe.com/Support](http://www.canon-europe.com/Support)

#### **LICENSE NOTICE**

THIS PRODUCT IS LICENSED UNDER THE AVC PATENT PORTFOLIO LICENSE FOR THE PERSONAL USE OF A CONSUMER OR OTHER USES IN WHICH IT DOES NOT RECEIVE REMUNERATION TO (i) ENCODE VIDEO IN COMPLIANCE WITH THE AVC STANDARD ("AVC VIDEO") AND/OR (ii) DECODE AVC VIDEO THAT WAS ENCODED BY A CONSUMER ENGAGED IN A PERSONAL ACTIVITY AND/OR WAS OBTAINED FROM A VIDEO PROVIDER LICENSED TO PROVIDE AVC VIDEO. NO LICENSE IS GRANTED OR SHALL BE IMPLIED FOR ANY OTHER USE. ADDITIONAL INFORMATION MAY BE OBTAINED FROM MPEG LA, L.L.C. SEE [HTTP://WWW.MPEGLA.COM](http://WWW.MPEGLA.COM)

\* Notice displayed in English as required.

Apple, the Apple logo, iPad, iPad Air, iPad Pro, and iPhone are trademarks of Apple Inc., registered in the United States and other countries. App Store is a service mark of Apple Inc. iOS is a trademark or registered trademark of Cisco in the United States and other countries and is used under license. Android, Google Play and the Google Play logo are trademarks of Google LLC. Bluetooth is a registered trademark of Bluetooth SIG. Wi-Fi is a registered trademark of the Wi-Fi Alliance. All other third-party product names, brand names and logos are trademarks of their respective owners.