



imagePROGRAF TZ-30000

Setup Guide

ENGLISH

Read this manual before attempting to operate the printer. Keep this manual for future reference. Furthermore, in order to ensure that this product is used safely, you should always also read the “Quick Guide” (separate manual).

Guide d’installation

FRANÇAIS

Lisez ce manuel avant d’essayer d’utiliser l’imprimante. Conservez ce manuel pour toute consultation ultérieure. De plus, afin de vous assurer que ce produit est utilisé en toute sécurité, lisez également le “Guide rapide” (manuel distinct).

Guia de configuração

PORTUGUÊS

Leia este manual antes de tentar operar a impressora. Guarde este manual para referência futura. Além disso, para garantir que este produto seja usado com segurança, leia também o “Guia rápida” (manual separado).

Guía de configuración

ESPAÑOL

Lea este manual antes de intentar operar la impresora. Conserve este manual a mano para futuras referencias. Además, para garantizar que este producto se utilice de manera segura, siempre debe leer también la “Guía rápida” (manual aparte).



Overview of Setup

Set up the printer using the following procedure. If an error message appears during setup or other problems occur, refer to "Responding to Messages" on p. 16.

 **1** Removing the Packaging Material Page 4

 **2** Turning On the Printer Page 4

 **3** Installing the Ink Tanks Page 6

 **4** Installing the Print Head Page 8

 **5** Installing the Paper Output Supports and Top Output Guides Page 10

 **6** Preparing the Basket Page 12

 **7** Selecting the Method of Connecting to Your Computer Page 13

 **8** Installing the Software on Your Computer Page 14

About the Paper Handling Label Page 15

Loading Paper Page 15

Storing Accessories Page 15

Printing From a Smartphone or Tablet Page 15

Displaying the Online Manual Page 15

Trademarks Page 15

Responding to Messages Page 16

Installation Space

When installing the printer, it is recommended that you secure the following space around the printer.

Important

- This is the space when using the paper output supports and top output guides.
- The space required in front of the printer differs depending on whether the basket is used.

■ TZ-30000

Required space* (W x D x H)

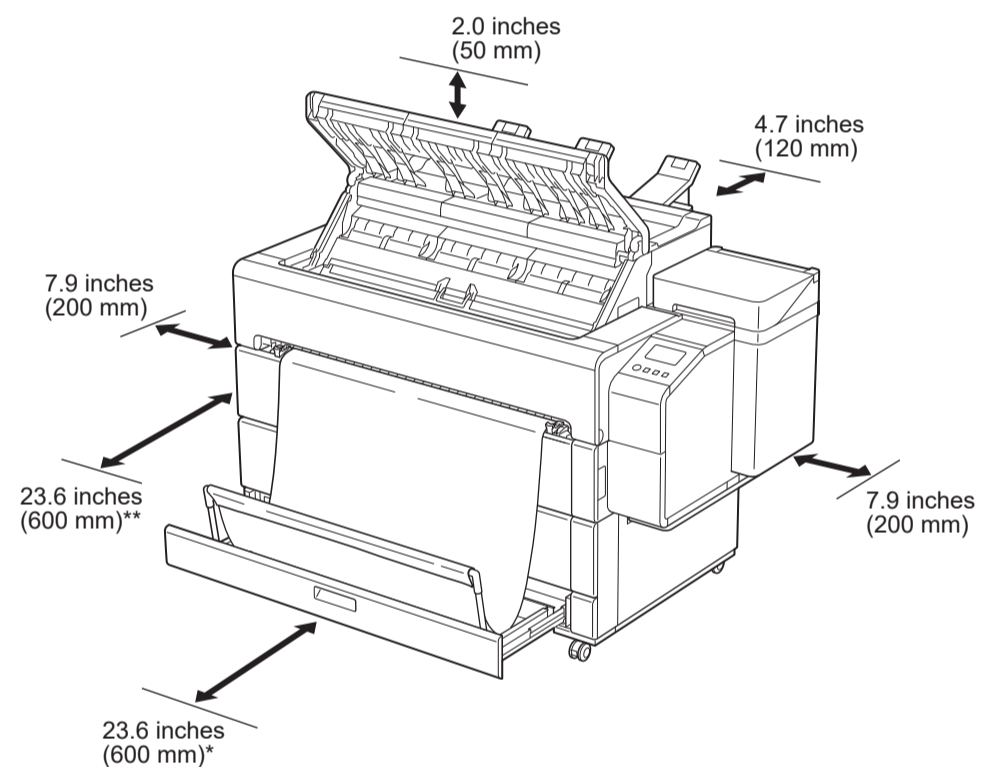
76.7 × 79.3 × 58.2 inches

1,948 × 2,013 × 1,478 mm

Required space** (W x D x H)

76.7 × 66.2 × 58.2 inches

1,948 × 1,680 × 1,478 mm



* When using the basket

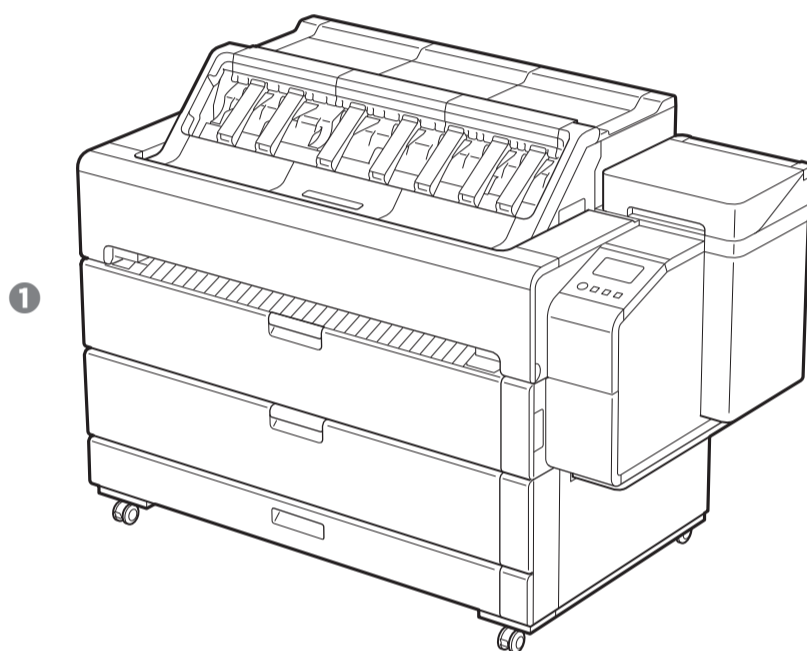
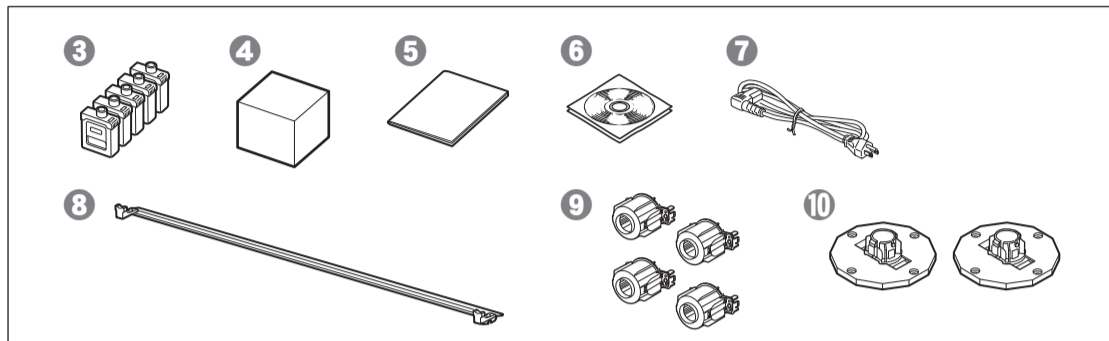
** When the basket is stored

Package Contents

Check that the following included accessories are contained in the package. Note that a cable to connect the printer to a computer is not provided with the printer.

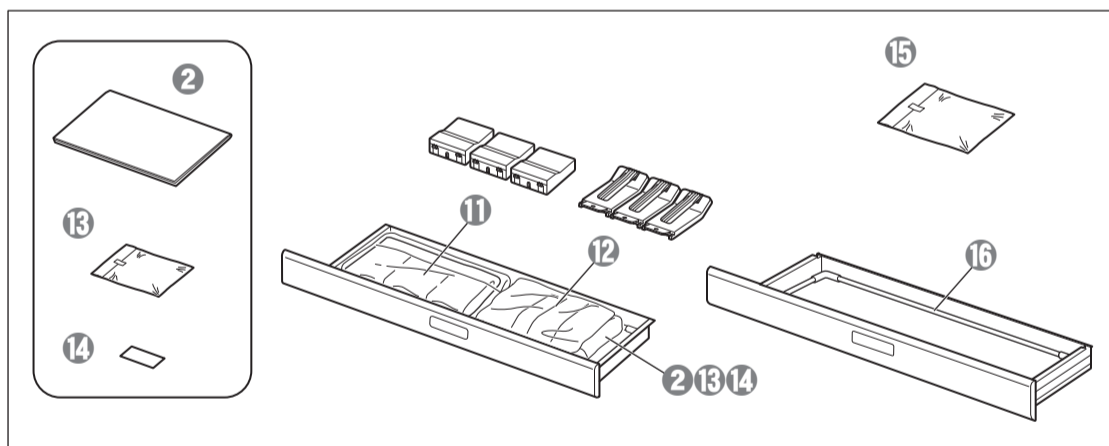
Note

- Some of the included accessories are not described in this manual. Store them along with the other accessories as they are required for other functions.
- For instructions on the included items not described in this manual, refer to the Online Manual by following the instructions in "Displaying the Online Manual" on p. 15.



- 1 Printer
- 2 Setup Guide (this manual)
- 3 Ink tanks (5 pieces)
- 4 Print head
- 5 Quick Guide
- 6 Set of CD-ROMs
- 7 Power cord
- 8 Basket support bar
- 9 3-inch paper core attachments (4 pieces)
- 10 Holder stoppers (2 pieces)*
- 11 Paper output supports (3 pieces)
- 12 Top output guides (3 pieces)
- 13 Allen wrench and screws (6 pieces) for attaching the top output guides and paper output supports
- 14 Paper handling label
- 15 Basket cloth
- 16 Basket arm

* This is used when loading roll paper. For details, refer to the Online Manual.



Manuals Included with This Printer

Setup Guide (this manual)

Describes how to setup the printer.

Quick Guide

Contains information related to warnings for using this printer safely and information related to replacing paper, ink tanks, and the print head.

Online Manual (Electronic Manuals)

This manual describes advanced usage of the printer such as paper saving tips, how to print a poster and banner with the supplied software and print quality adjusting method, in addition to the basic instructions for printing on roll paper or cut sheet. To view the Online Manual, refer to "Displaying the Online Manual" (p. 15).

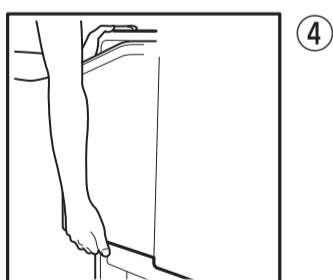
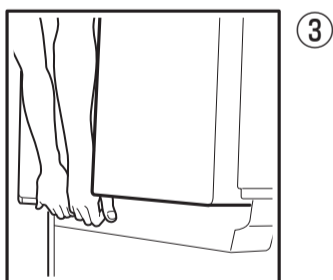
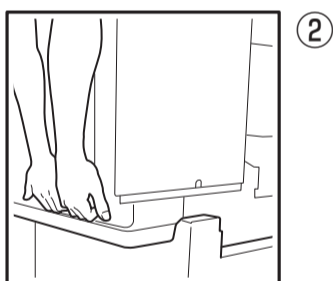
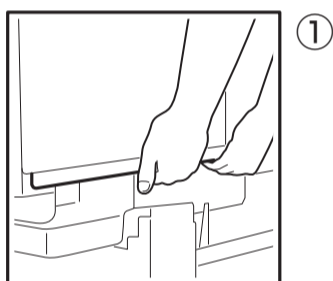
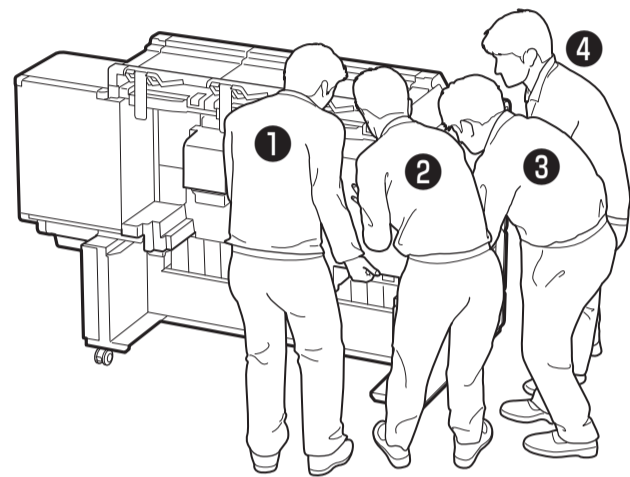
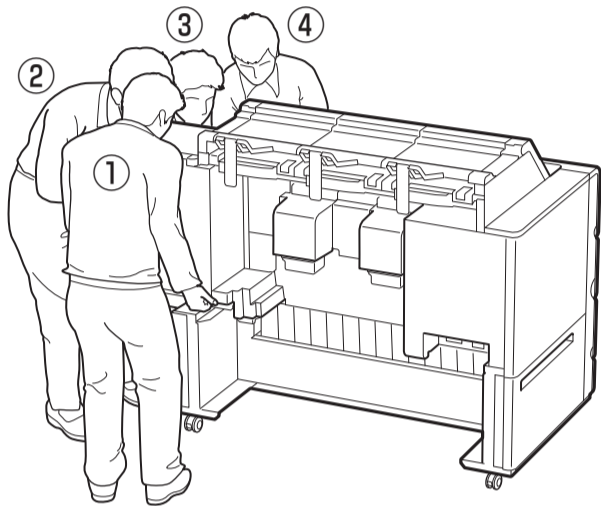
Handling Cautions

⚠ Caution

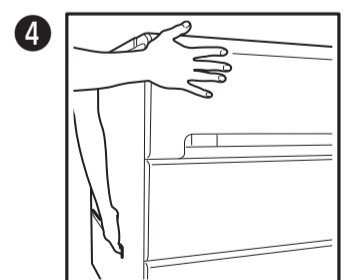
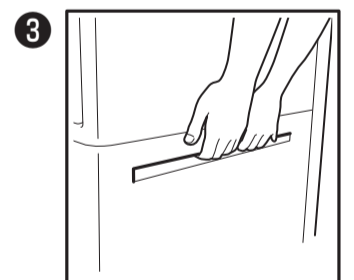
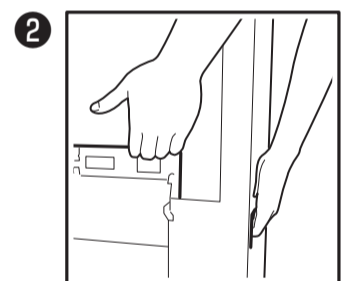
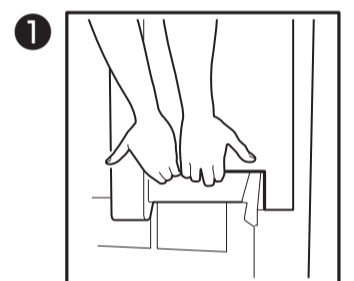
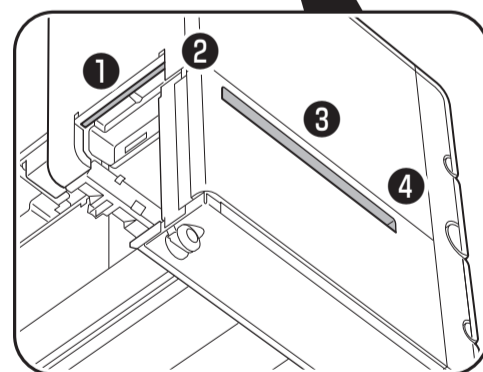
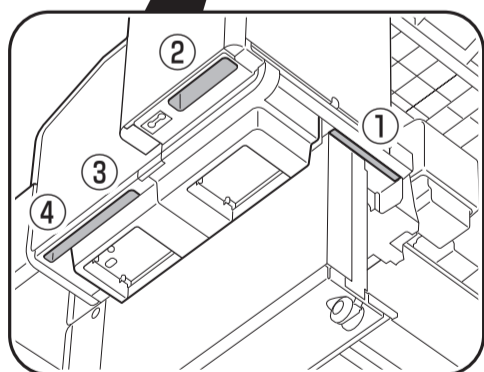
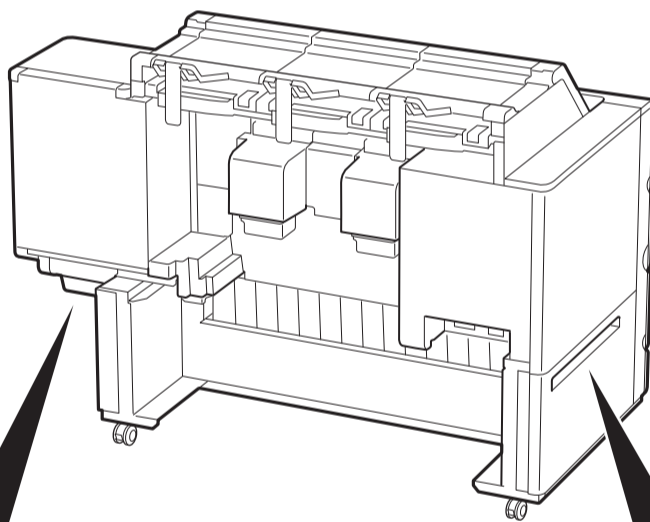
- Move the printer to the installation location and begin the setup.
- When moving the printer, check that all of the printer covers and trays are closed before moving.

⚠ When Lifting the Printer

- When lifting the printer, have 4 people on each side firmly grasp the carrying grips (the area shown shaded in the diagram). Holding any other areas may damage the printer. Take care when handling the printer as it is very heavy.



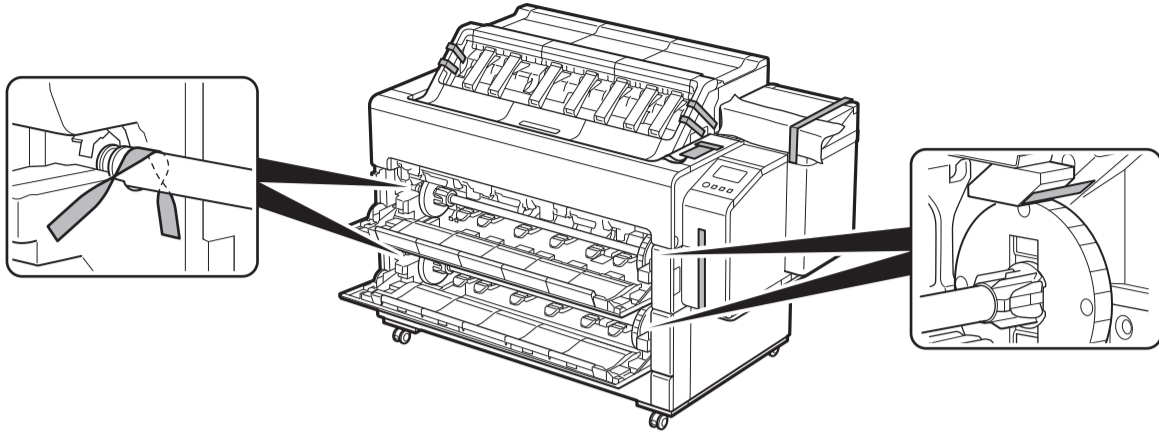
Gently support the front face with your left hand.



Gently support the front face with your right hand.

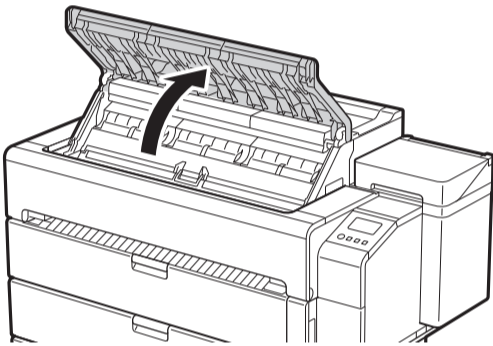
1 Removing the Packaging Material

Remove the tape and other packaging material. Remove the tape affixed to the roll holder.

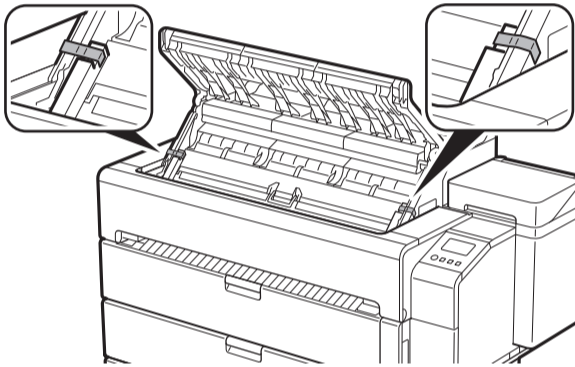


2 Turning On the Printer

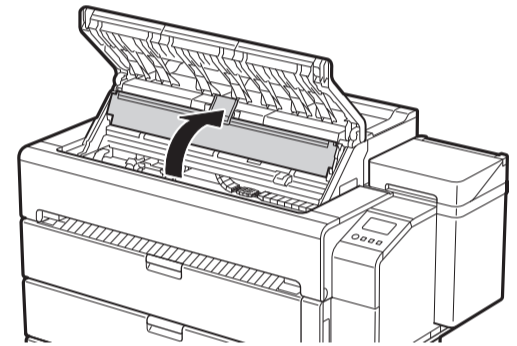
1 Open the top cover.



2 Remove the tape and cushioning material affixed to the inner cover.

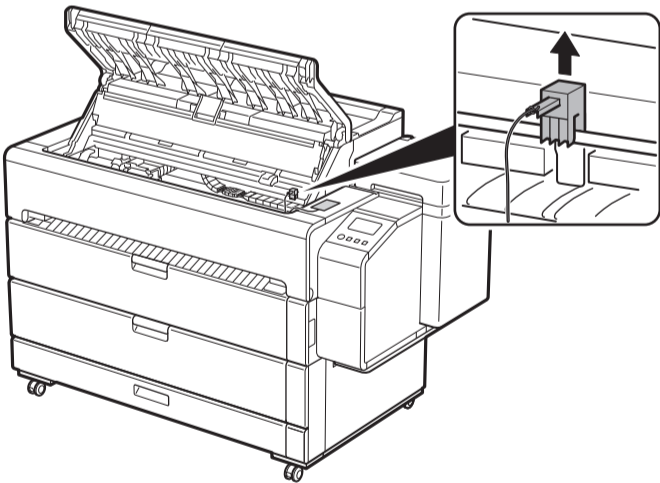


3 Open inner cover.



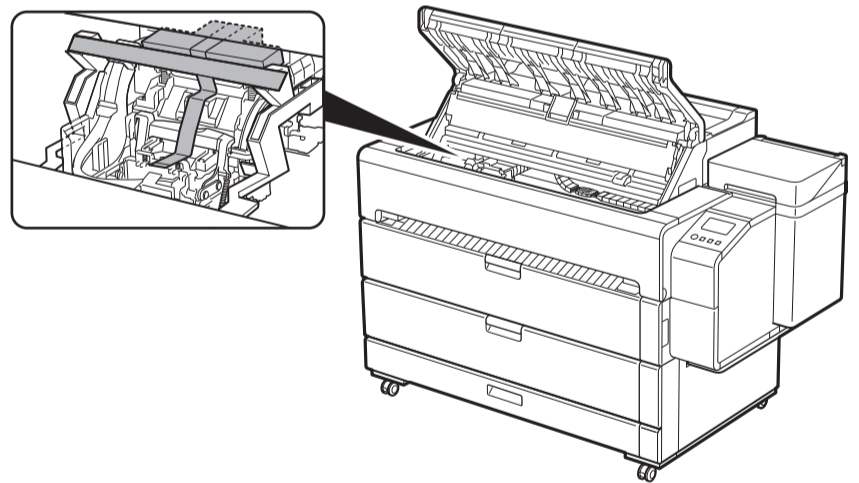
4 Pull up and remove the belt stopper.

- Keep the belt stopper for future use. You will need it in case you move the printer to another location.



5 Remove the tape.

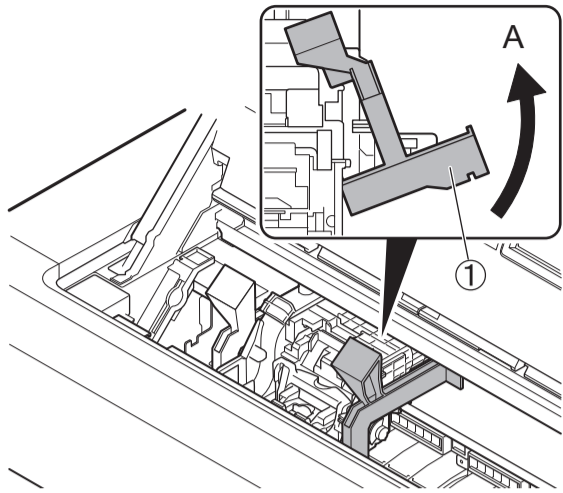
- Peel off the tape affixed to the carriage, and then remove the cushioning material.



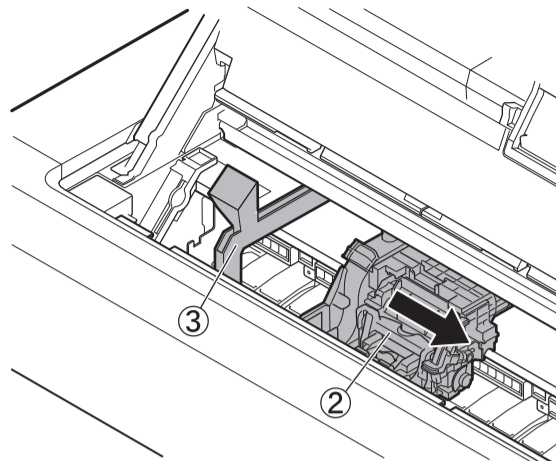
Note

- The belt stopper can be stored in the accessory drawer. (P.15)

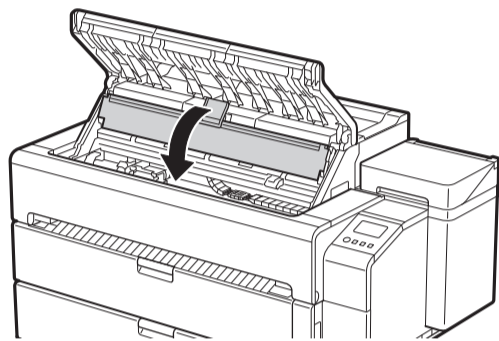
6 Rotate the protective material ① in the A direction to remove it.



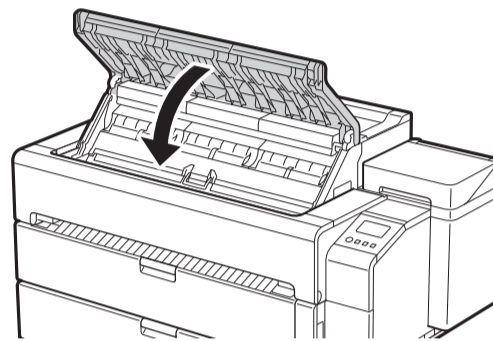
7 Move the carriage ② in the direction of the arrow and remove the protective material ③.



8 Close the inner cover.

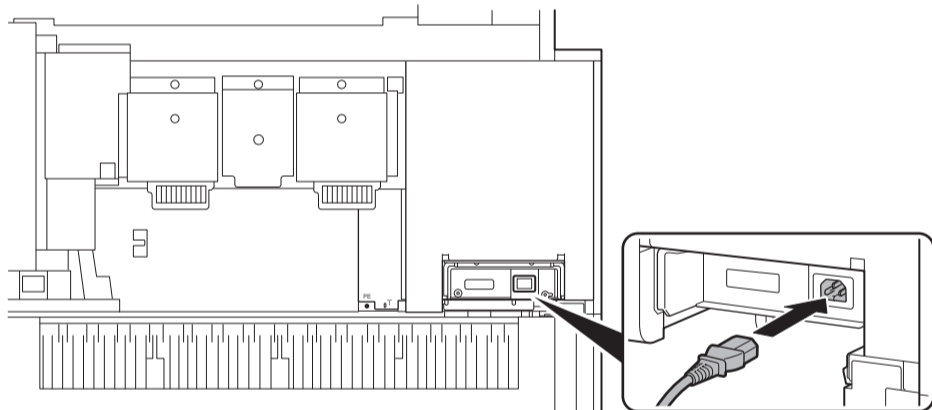


9 Close the top cover.

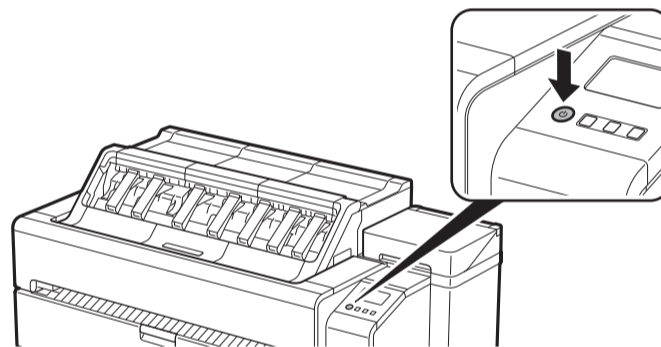


10 Connect the power cord to the printer.

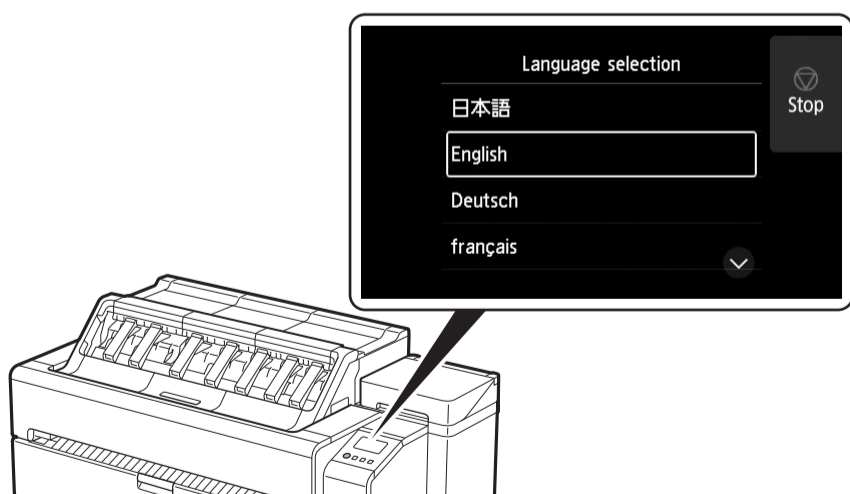
- Insert the power cord into the power connector on the rear of the printer.



11 Plug the power cord into the outlet, and then turn on the printer.



12 When the language selection screen appears on the touch screen, select and gently tap a language with your finger. Then, if the screen for selecting a time zone appears, select and tap your region.



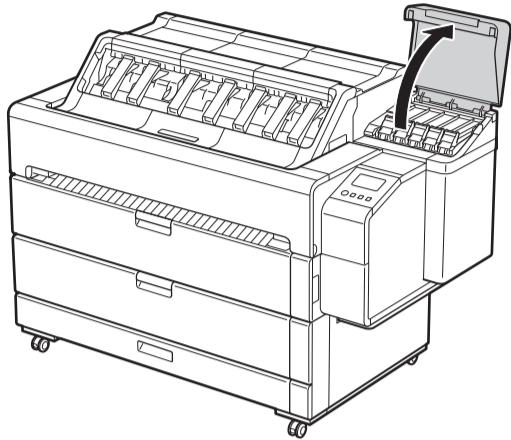
13 When a message prompting you to start the setup appears on the touch screen, tap **OK**.



3 Installing the Ink Tanks

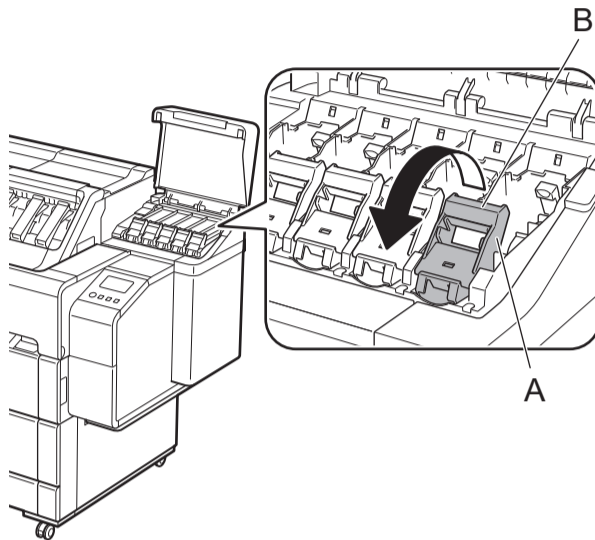
Instructions on ink tank installation are shown on the touch screen. Install the ink tanks as instructed. If the ink tank is cold, allow it to adjust to room temperature before attaching it to the printer.

1 Open the ink tank cover.

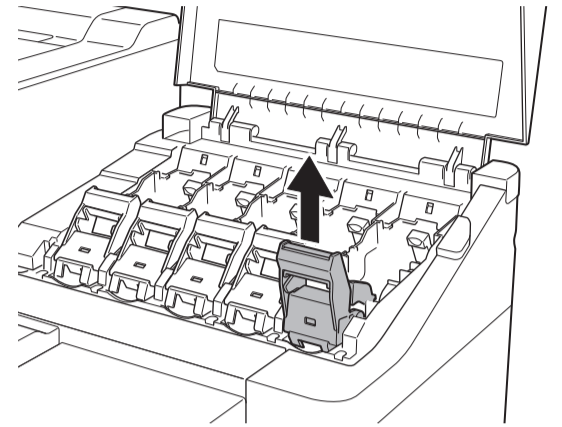


2 Release the ink tank lock lever of the color you are installing.

- While pressing the button at the position (B), lift up the handle part (A) towards you.

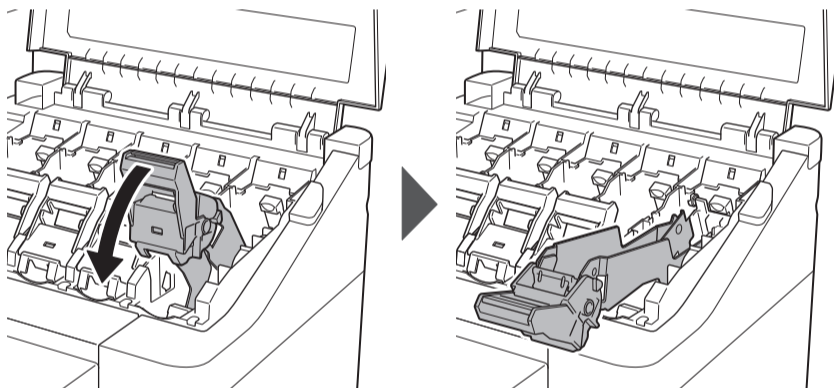


3 With it in this state, pull the ink tank lock lever up.

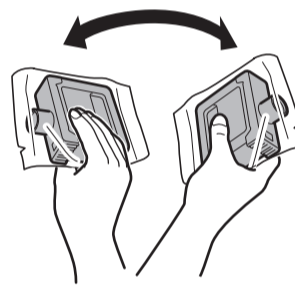


4 Continue pulling until the entire ink tank lock lever is tilted towards you.

- Make sure the ink tank lock lever stays in this position.



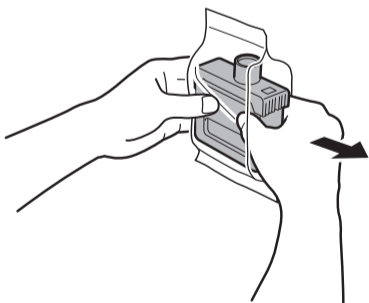
5 Shake each ink tank gently 7 or 8 times before opening its pouch.



Important

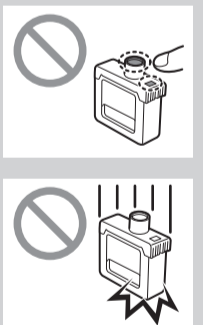
- Failure to shake the ink tanks may result in reduced print quality because ink ingredients have settled on the bottom of the tank.

6 Open the pouch and remove the ink tank.



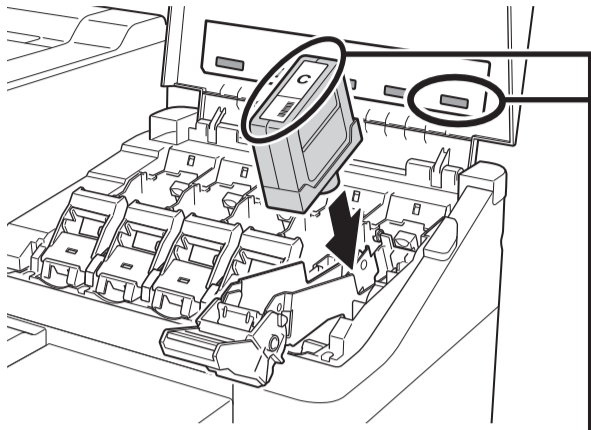
Important

- Never touch the ink outlets or metal contacts (the area shown shaded in the diagram). Touching these parts may cause stains, damage the ink tank, and affect print quality.
- Avoid dropping the ink tank after removing it from the pouch. Otherwise, ink may leak and cause stains.
- Do not remove ink tanks to shake them after they have been mounted. Doing so may cause ink to spill.



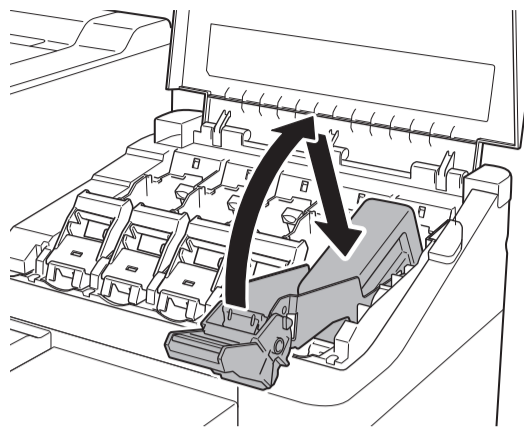
7 Check that the color of the ink tank is the same as the color displayed on the label in the printer, and insert the ink tank into the holder in the orientation shown in the diagram.

- Insert with the ink tank label facing up and ensuring that the text on the label is not upside-down.

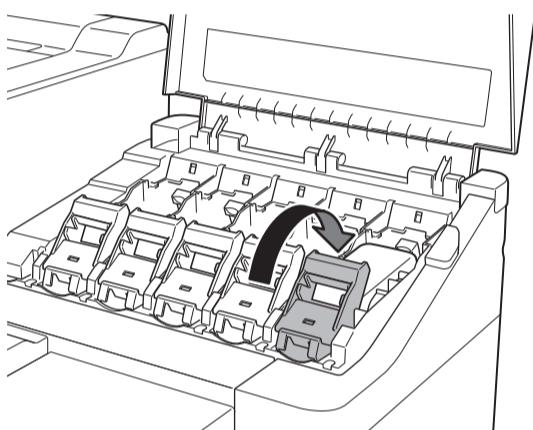


Match the color of the ink tank label to the color of the label in the printer

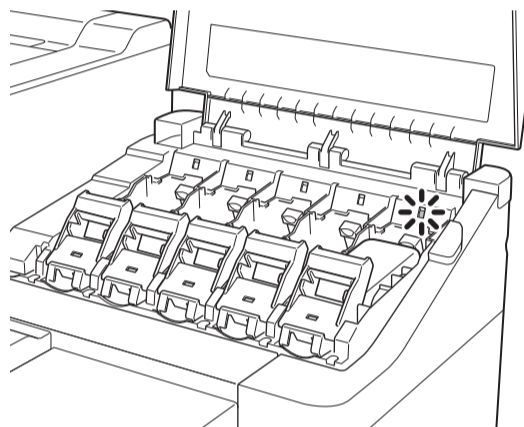
8 Lift up the ink tank lock lever once and then push it down.



9 Firmly push down the handle part of the ink tank lock lever all the way in.



10 Make sure the ink lamp lights red.

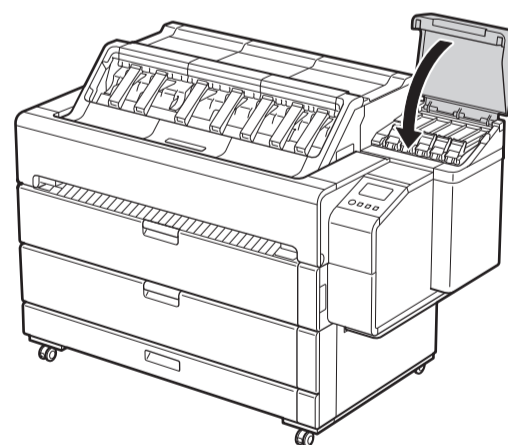


Important

- If the ink lamp does not light, repeat steps 2 to 4 and 8 to 9.

11 Repeat steps 2 to 10 to install each of the ink tanks.

12 Close the ink tank cover. When the screen for confirming installation of the ink tank appears, tap **OK**.



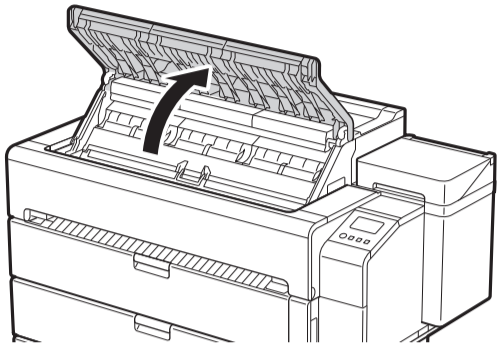
Important

- Do not open the top cover or inner cover. An error may occur. If an error occurs, turn off the power, close the top cover and inner cover, and then turn the power on.

4 Installing the Print Head

Instructions are now shown on the touch screen regarding print head installation. Install the print head by following the instructions.

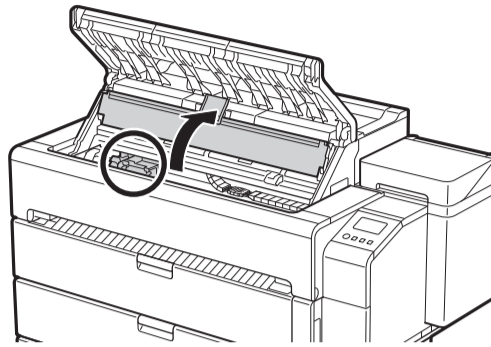
- 1 When the **Open the top cover.** appears on the touch screen, open the top cover.



Important

- If the top cover is opened before **Open the top cover.** appears on the touch screen, an error may occur. If an error occurs, turn off the power, close the top cover, then turn the power on.

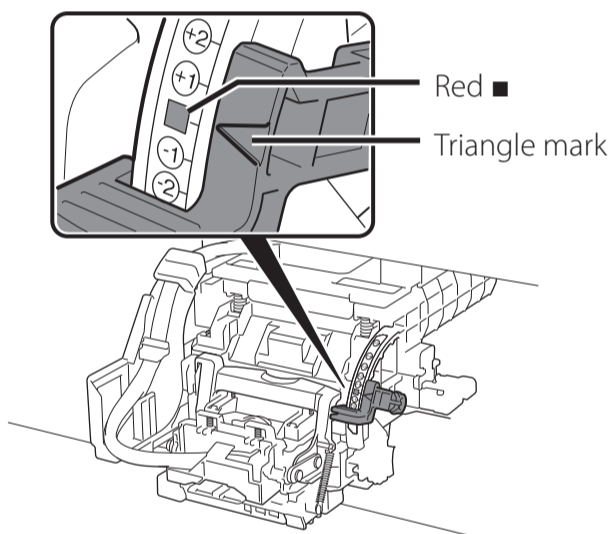
- 2 Open the inner cover.



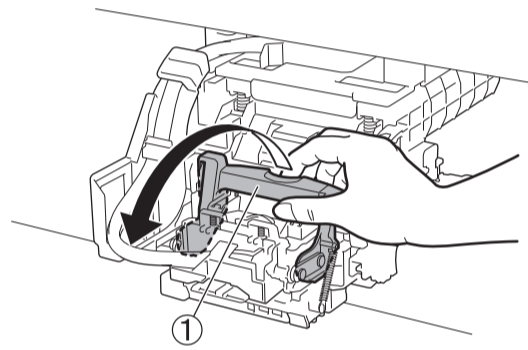
Important

- Do not move the carriage (the area enclosed by a circle in the diagram). If you accidentally move it, temporarily close the inner cover and top cover and it will return to its original position.

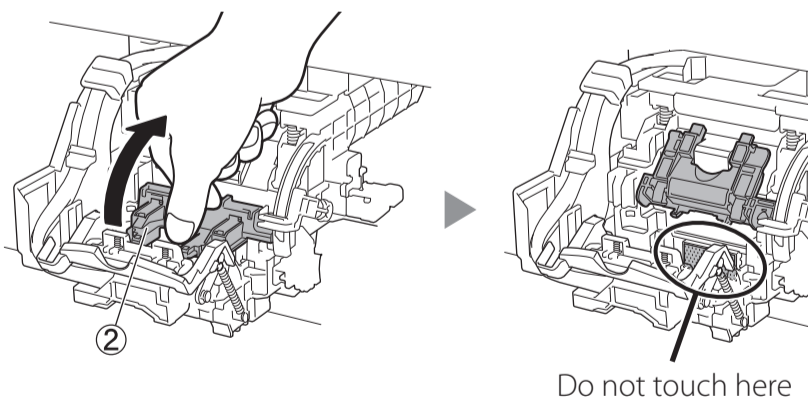
- 3 Check that the triangle mark on the angle adjustment lever is aligned with the red ■. If they are not aligned, move the angle adjustment lever up or down to align it with the ■.



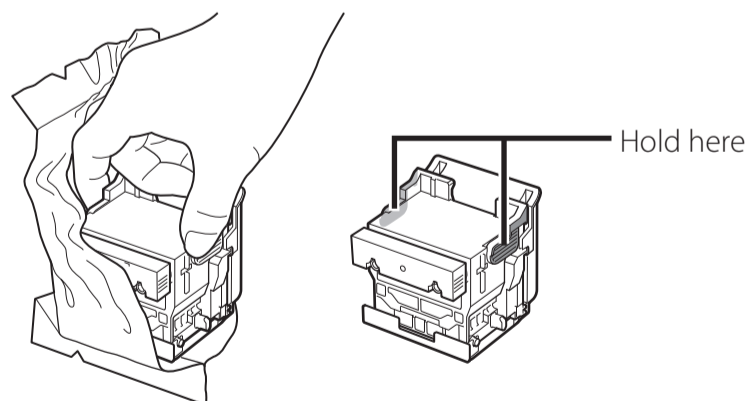
- 4 Tilt the print head lock lever ① towards you.



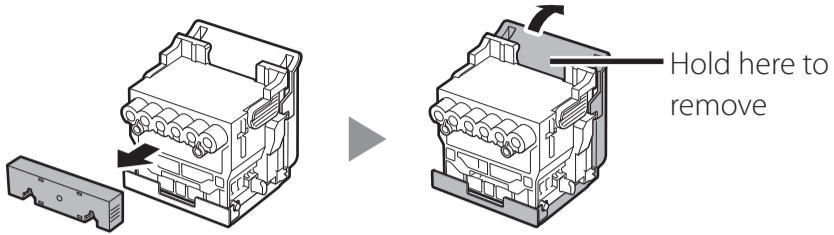
- 5 Open the print head locking cover ② by following the instructions on the screen and tap **OK**. Do not touch the electrical contacts of the carriage.



- 6 Grasp the print head as shown in the diagram and remove it from the bag.

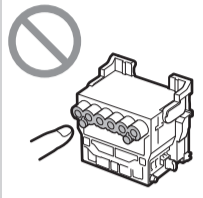


7 Remove the orange protective caps in the order shown in the diagram.



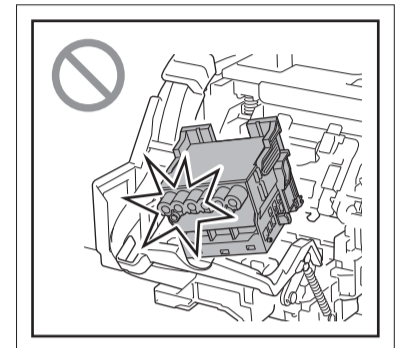
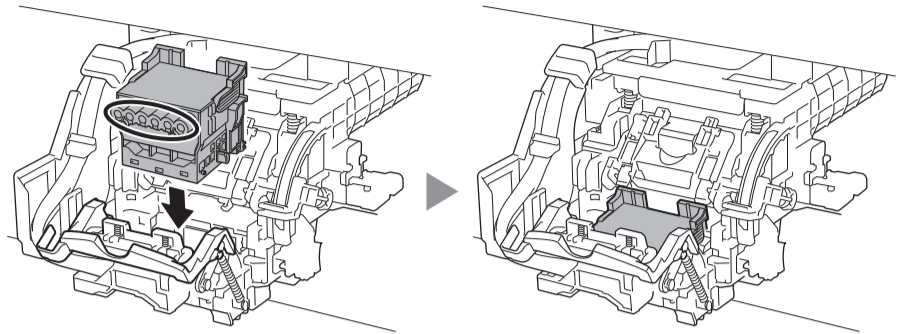
Important

- Do not touch the part that was being protected by the protective cap (part shown shaded in the diagram) under any circumstances. Touching it may cause damage to the print head or printing problems.
- The print head is filled with ink. Be careful to avoid getting your clothes and surrounding items dirty when removing the protective caps. It is recommended that you remove the protective caps above the bag that contained the print head.
- Do not reattach the protective caps after removing them. Dispose of them according to local regulations.

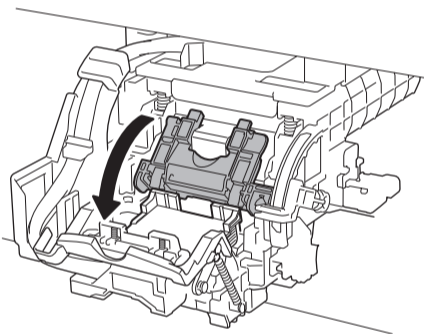


8 Install the print head.

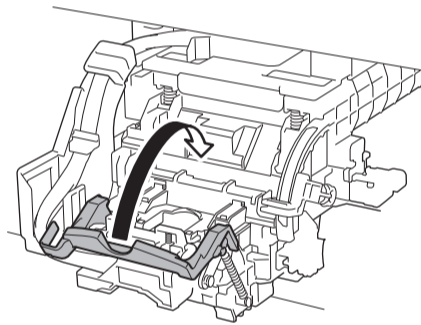
- Align the print head so that the area enclosed by a circle in the diagram is facing you, and carefully push the print head firmly into the printer, ensuring that the part covered by the protective caps does not touch the carriage.



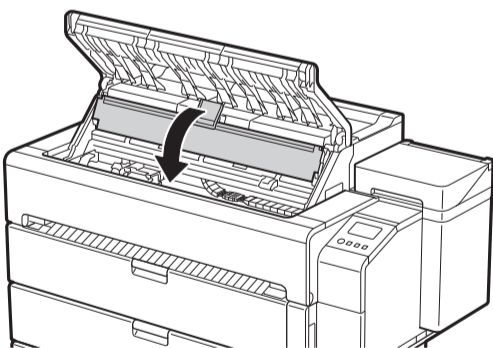
9 Pull the print head locking cover down toward you to lock the print head in place.



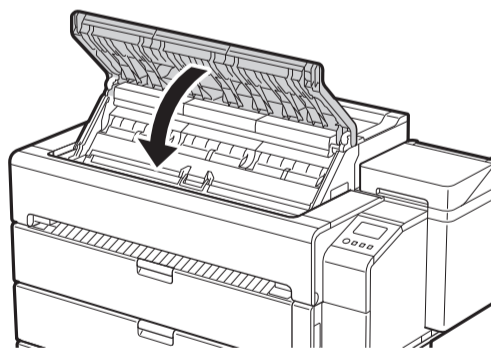
10 Push the print head lock lever all the way to the end.



11 Close the inner cover.



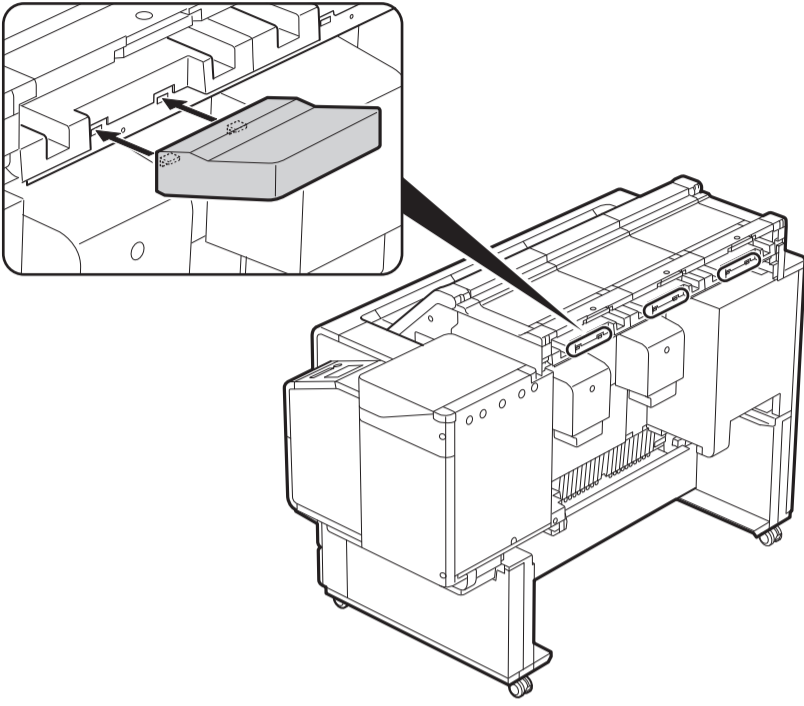
12 Close the top cover.



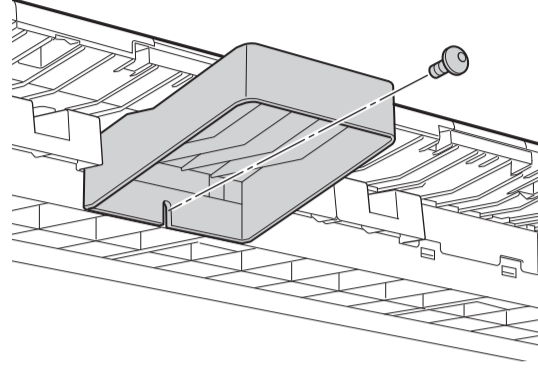
5 Installing the Paper Output Supports and Top Output Guides

5-1 Installing the Paper Output Supports

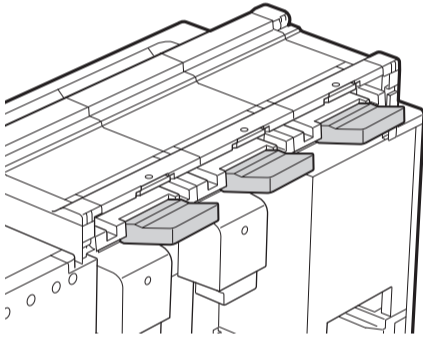
1 Attach the paper output supports to the printer.



2 Affix using the screws.

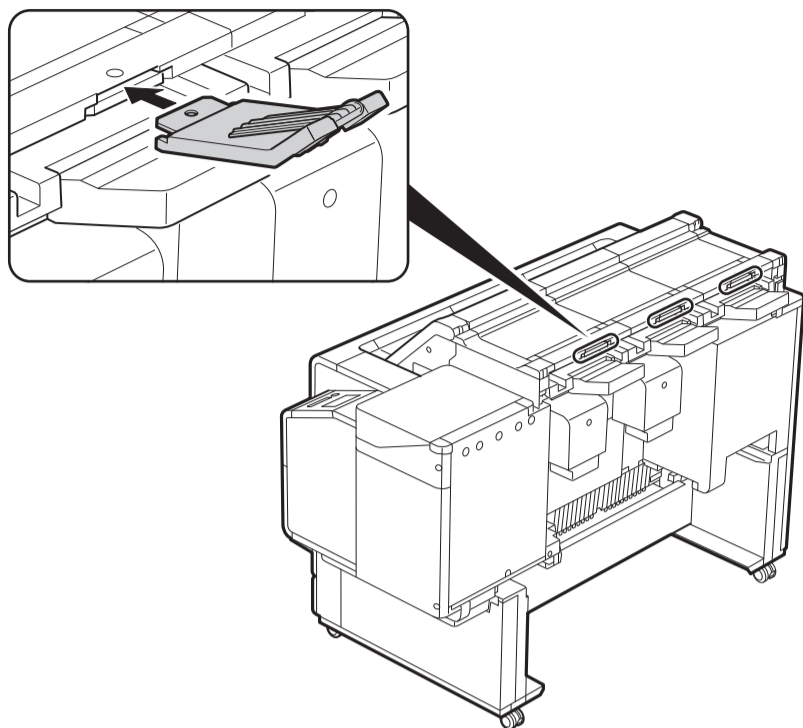


3 Repeat steps 1 to 2 to install each of the paper output supports.

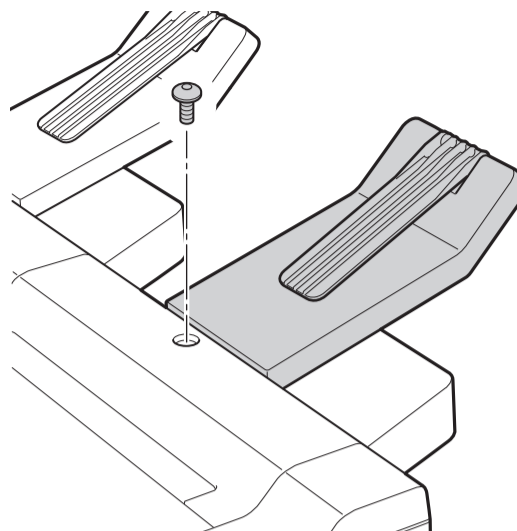


5-2 Installing the Top Output Guides

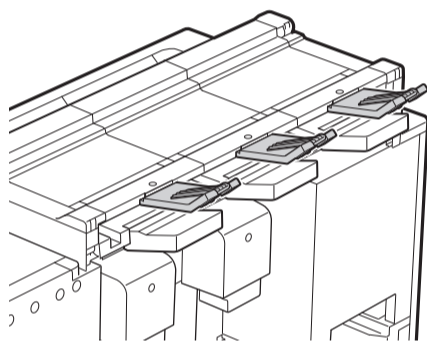
1 Attach the top output guides to the printer.



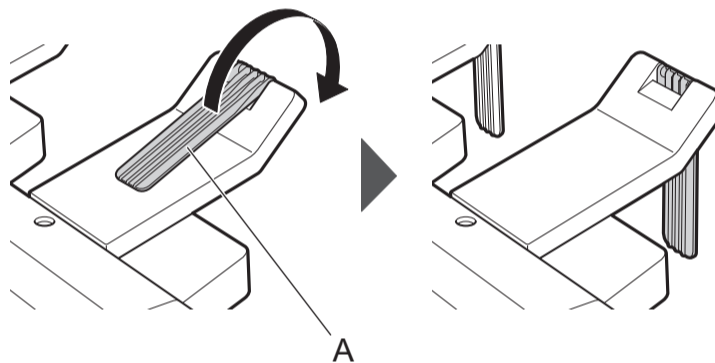
2 Affix using the screws.



3 Repeat steps 1 to 2 to install each of the top output guides.

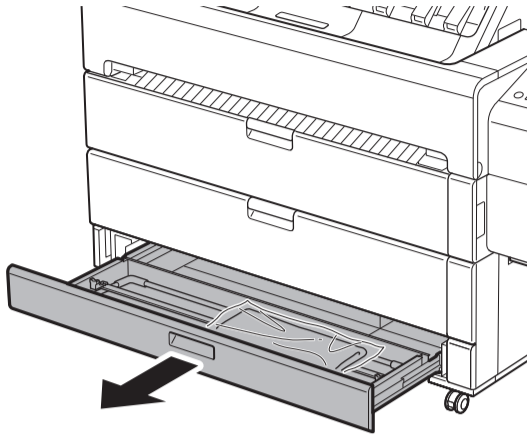


4 Open (A) in the direction of the arrow.

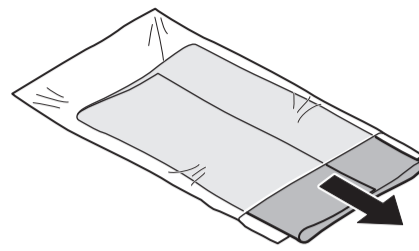


6 Preparing the Basket

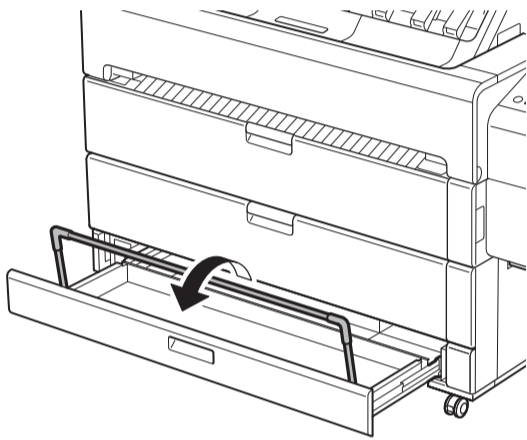
1 Pull out the accessory drawer.



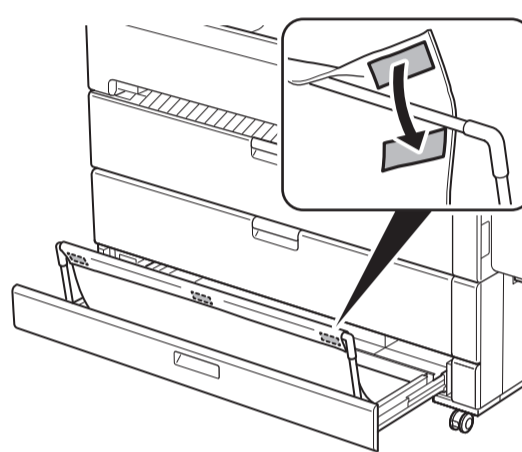
2 Remove the basket cloth from the bag.



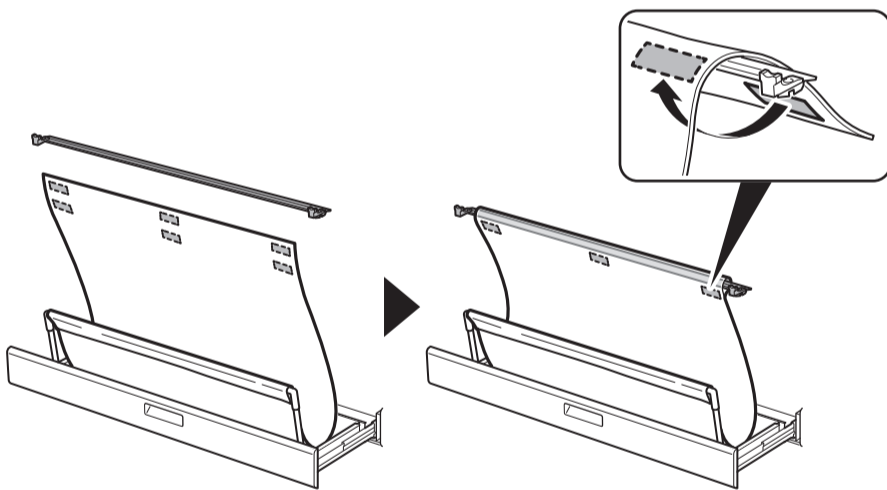
3 Raise up the basket arms.



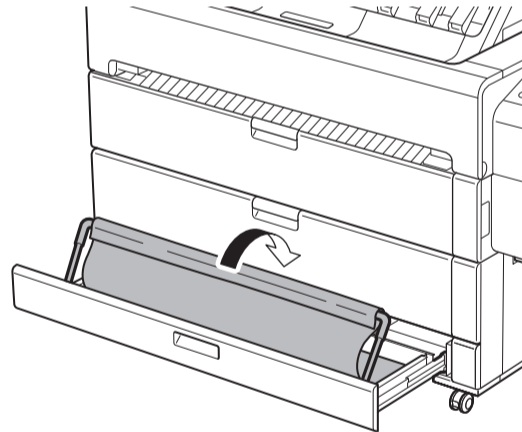
4 Affix the basket cloth to the basket arm in 3 locations.



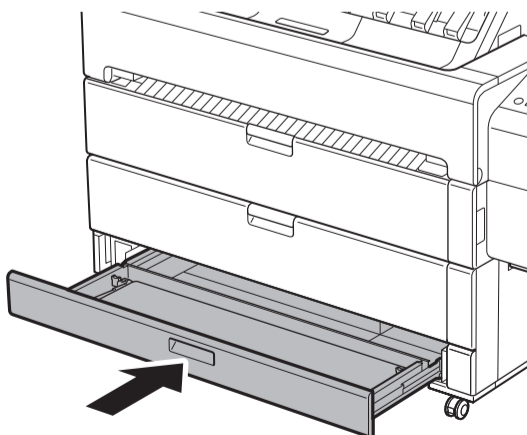
5 Affix the basket cloth to the basket stopper bar in 3 locations.



6 Fold down the basket arm to store the basket cloth in the accessory drawer.



7 Close the accessory drawer.

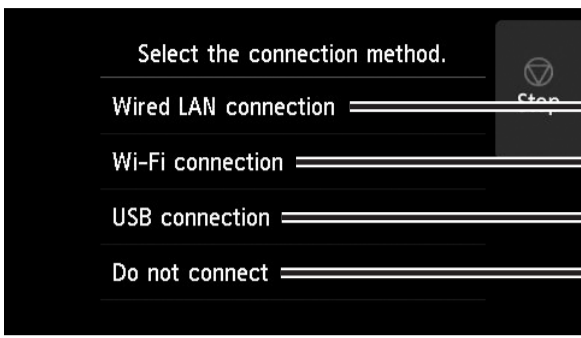


 Note

• Refer to Quick Guide for details on how to use the basket.

7 Selecting the Method of Connecting to Your Computer

When something like the following is displayed on the touch screen, tap the connection method.



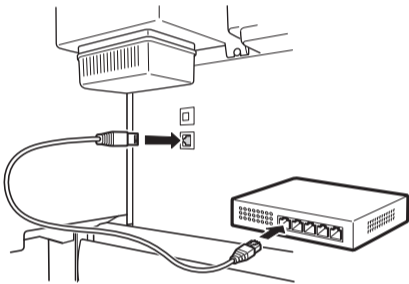
- Wired LAN connection — Connect the printer to the network using a LAN cable.
- Wi-Fi connection — Connect the printer to the network wirelessly.
- USB connection — Connect the printer to a computer using a USB cable.
- Do not connect — Select this such as when connecting using a fixed IP address. The connection settings and software installation will need to be performed separately. Start the settings from the touch screen of the printer.

Wired LAN connection

- 1 Select **Wired LAN connection**. Check the message about the connection method and select **Yes** if there are no problems.

- A message prompting you to connect the LAN cable appears.

- 2 Use the LAN cable to connect the wired LAN connector on the rear of the printer to the hub port.



- 3 Select **OK** and proceed to "Installing the Software on Your Computer" (p. 14).

Wi-Fi connection

- 1 Select **Wi-Fi connection**. Check the message about the connection method and select **Yes** if there are no problems.

- A message prompting you to set up Wi-Fi connection appears.

- 2 Select **Yes** and proceed to "Installing the Software on Your Computer" (p. 14).

- To configure the settings from the printer, select **No** and proceed to "Configuring Wi-Fi Settings on the Printer Touch Screen" (column below).

USB connection

- 1 Select **USB connection**. Check the message about the connection method and select **Yes** if there are no problems.

- Do not connect the USB cable yet.

- 2 Select **OK** and proceed to "Installing the Software on Your Computer" (p. 14).

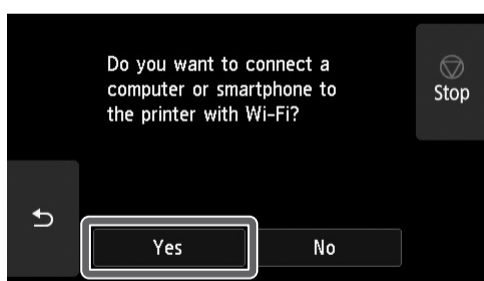
Important

- The printer starts charging the ink for the first time* and performs print head adjustment. This takes around 25 minutes. Do not open the covers of the printer or turn the power off during this time.

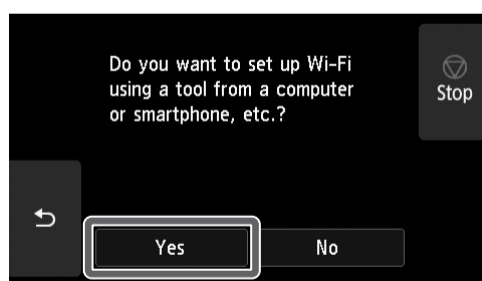
* Charges ink between the ink tank and print head and performs cleaning to keep the printer in optimal condition. This may cause the remaining ink indicator and maintenance cartridge capacity indicator to drop some amount. Since the included ink tanks are for initial installation, it is recommended that you purchase replacement ink tanks quickly.

Configuring Wi-Fi Settings on the Printer Touch Screen For Wi-Fi connection

- 1 Check that the following screen appears and tap **Yes**.




- 2 Check that the following screen appears and tap **Yes**.

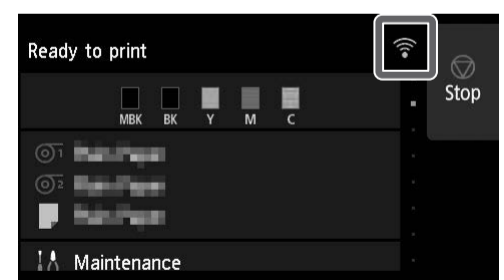


Note

- If any of **Checking the nozzle**, **Preparing the ink system**, or **Cleaning...** is displayed, the printer initial settings are not finished. Wait until the above screen appears.

- 3 Configure the settings by following the instructions on the screen.

- When the home screen appears and  (network) appears, the Wi-Fi settings are complete.



- 4 Proceed to "Installing the Software on Your Computer" (p. 14).

8 Installing the Software on Your Computer

The printer connection settings and software installation are performed using a computer. You can download the setup file from our website. If you are using a Windows PC, you can also run the file from the CD-ROM.

Downloading from the website (Windows/macOS)

1 Go to the Canon website on your computer.

<https://ij.start.canon/TZ-30000>

2 Click **Download** to download the setup file and then run the file.

- If a warning screen about downloading appears, select **Do not block, Allow**, etc. and then proceed to the next step.

Click Download to start setup.

Follow the on-screen instructions to complete the setup.



Booting up from the included CD-ROM (Windows)

■ If you are using Windows 10 or Windows 8.1




1 Insert the setup CD-ROM into the computer.



2 Click the popup message for the disk drive and click **Run Msetup4.exe** on the screen that is displayed.

Note

If the message does not appear (or has disappeared)

- ① Click  or  **File Explorer** on the taskbar.
- ② Click **This PC** on the left side of the window that opens.
- ③ Double-click the  CD-ROM icon on the right side of the window.
- ④ When the contents of the CD-ROM appear, double-click **Msetup4.exe**.

3 If the **User Account Control** dialog box appears, click **Yes** and proceed to the next step.

■ If you are using Windows 7


1 Insert the setup CD-ROM into the computer.



2 When the **AutoPlay** screen appears, click **Run Msetup4.exe**.

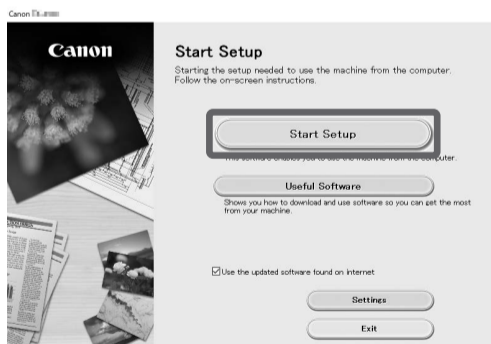
Note

If the **AutoPlay** screen does not appear

- ① Click **Computer** from the start menu.
- ② Double-click the  CD-ROM icon in the right side of the window that opens.
- ③ When the contents of the CD-ROM appear, double-click **Msetup4.exe**.

3 If the **User Account Control** dialog box appears, click **Yes** and proceed to the next step.

4 Click **Start Setup**. Configure the settings by following the instructions on the screen.

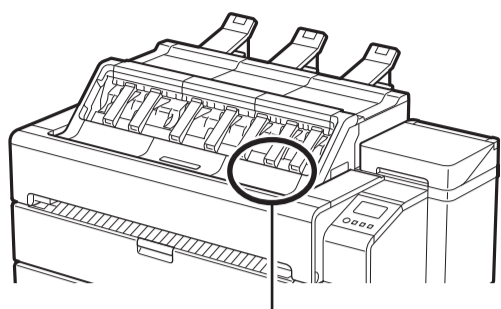


Note

- A screen for selecting the printer connection method may be displayed in the middle of configuring the settings. If this happens, select the method you selected on p. 13 and then click **Next** and continue with the rest of the settings.
- Connect the USB cable to the proper location by following the instructions on the screen.

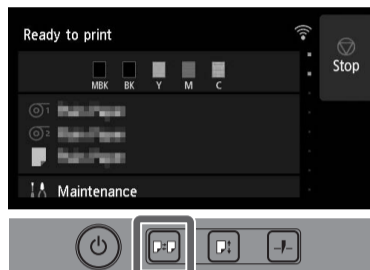
About the Paper Handling Label


A label describing paper handling methods is included as an accessory. Stick it in the location shown in the diagram and refer to it as necessary. You can also access videos by using the QR code on the label.



Position for sticking the label

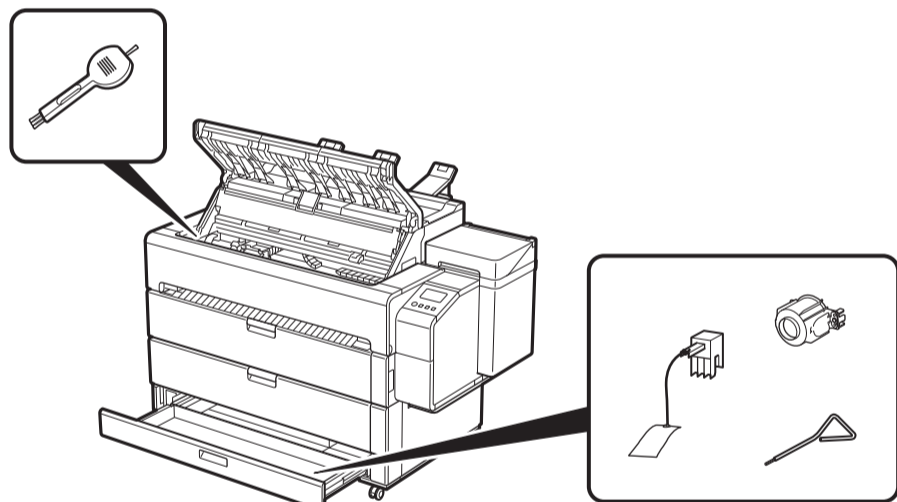
Loading Paper



1. Press  (Load).
2. Select the paper.
3. Follow the on-screen instructions.

Storing Accessories

When you open the inner cover, a cleaning brush (for cleaning the interior) is stored on the left side. The accessory drawer can be used to store accessories such as the 3-inch paper core attachments, belt stoppers, and Allen wrenches.



Printing From a Smartphone or Tablet

With the "Canon PRINT Inkjet/SELPHY" application software, you can easily, wirelessly print photos stored on your smartphone or tablet (running iOS or Android).



iOS

Search for "Canon Print" in the App Store.

Android

Search for "Canon Print" in Google Play.



Note

- You can also download the app by accessing the Canon website from the QR code on the right.



Displaying the Online Manual

The Online Manual describes how to use the printer. It can be accessed from the Canon website as shown below.

1 Access the Canon website by any of the following methods.

- Enter the URL

<https://ij.start.canon>

Select the model number of the printer you are using.

- Scan the QR code



2 Select Read Online Manual.

- Perform the remaining operations by following the instructions on the screen to display the Online Manual.

Trademarks

Windows is a trademark or registered trademark of Microsoft Corporation in the U.S. and/or other countries.

macOS and App Store are trademarks of Apple Inc., registered in the U.S. and other countries.

iOS is a trademark or registered trademark of Cisco in the U.S. and other countries and is used under license.

Android is either a registered trademark or trademark of Google Inc.

Google Play and Google Play Logo are trademarks of Google LLC.

QR Code is a registered trademark of DENSO WAVE INCORPORATED in Japan and in other countries.

Responding to Messages

Error messages may appear on the touch screen of the operation panel when setting up printer. It may not indicate a problem with the printer, and the issue may be easily resolved. Common messages and the causes are listed here with corrective actions. For details on other messages, refer to the Online Manual.

Message	Cause	Corrective Action
The ink tank is not installed. Install the ink tank properly.	There is no ink tank loaded.	Install or reinstall the ink tank. (Refer to steps 1 to 12 on p. 6 and p. 7)
	The ink tank is not firmly installed all the way in.	
The print head cannot be recognized correctly. Open the top cover and the inner cover and install the correct print head.	The print head is not installed.	Install the print head. (Refer to steps 1 to 12 on p. 8 and p. 9)
	Electrical contact failure in the print head.	Remove the print head, make sure that no debris becomes adhered to the electrical contacts on the print head and the carriage, and then reinstall the print head.
Hardware error ECxx-xxxx (x represents a letter or number) A printer error has occurred. Turn the printer off, wait a while, and then turn it on again.	The belt stopper or the tape inside the top cover has not been removed.	Turn off the power, open the top cover, and remove the tape and the belt stopper, then turn the power on. (Refer to steps 1 to 9 on p. 4 and p. 5)
	The inner cover was opened while charging the ink.	Turn off the power, close the inner cover and top cover, prepare the replacement ink tanks, and then turn the power on.
	You may have encountered an error that cannot be resolved.	Turn off the printer and wait at least 3 seconds before restoring the power. If the message appears again, write down the error code and message, turn off the printer, and contact your Canon dealer for assistance.
Error ECxx-xxxx (x represents a letter or number) A printer error has occurred. Refer to the manual and contact the service center.	You may have encountered an error that cannot be resolved.	Write down the error code and message, turn off the printer, and contact your Canon dealer for assistance.

Procédure de mise en place

Mise en place de l'imprimante à l'aide de la procédure suivante. Si un message d'erreur apparaît lors de la configuration ou si d'autres problèmes surviennent, reportez-vous à la section "Réponse aux messages", p. 16.

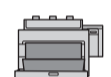
 **1** Retrait du matériau d'emballage Page 4


 **2** Mise sous tension de l'imprimante Page 4

 **3** Installation des cartouches d'encre Page 6

 **4** Installation de la tête d'impression Page 8

 **5** Installation des supports de sortie papier et des guides d'éjection supérieurs Page 10

 **6** Préparation du panier Page 12

 **7** Sélection de la méthode de connexion à votre ordinateur Page 13

 **8** Installation du logiciel sur votre ordinateur Page 14

À propos de l'étiquette de manipulation du papier Page 15

Chargement du papier Page 15

Rangement des accessoires Page 15

Impression à partir d'un smartphone ou d'une tablette Page 15

Méthode d'affichage du Manuel en ligne Page 15

Marques commerciales Page 15

Réponse aux messages Page 16

Espace requis pour l'installation

Lors de l'installation de l'imprimante, il est recommandé de laisser l'espace suivant autour de l'imprimante.

Important

- Il s'agit de l'espace réservé à l'utilisation des supports de sortie papier et des guides d'éjection supérieurs.
- L'espace requis devant l'imprimante diffère selon que le panier est utilisé ou non.

■ TZ-30000

Espace requis* (L x P x H)

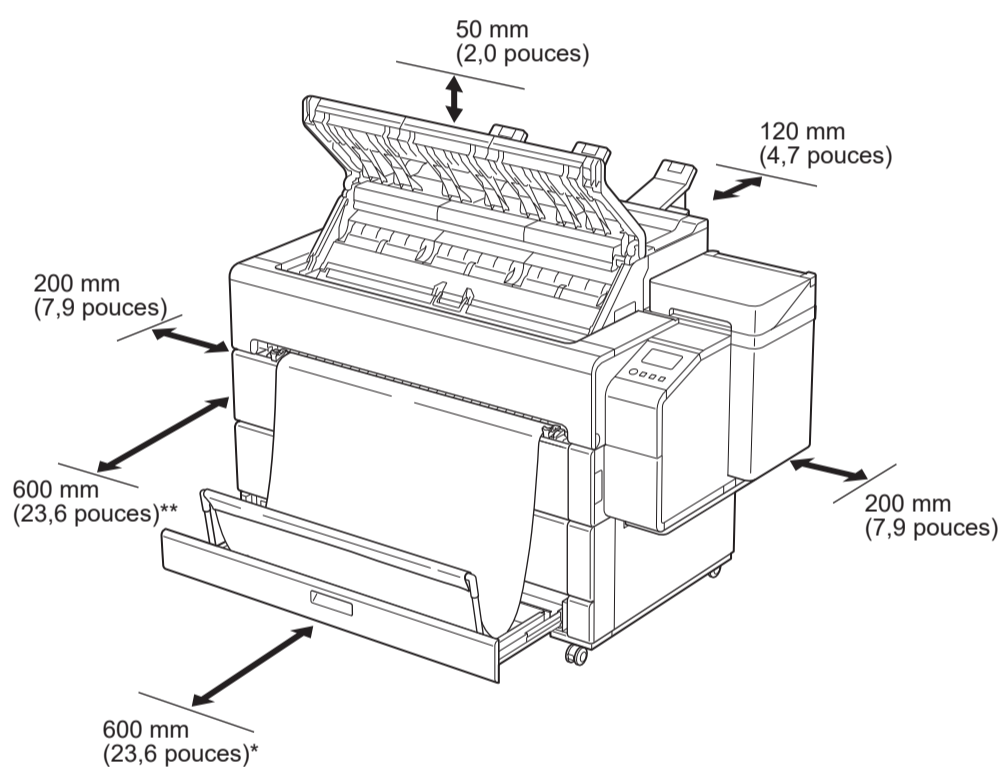
1948 x 2013 x 1478 mm

76,7 x 79,3 x 58,2 pouces

Espace requis** (L x P x H)

1948 x 1680 x 1478 mm

76,7 x 66,2 x 58,2 pouces



* Lors de l'utilisation du panier

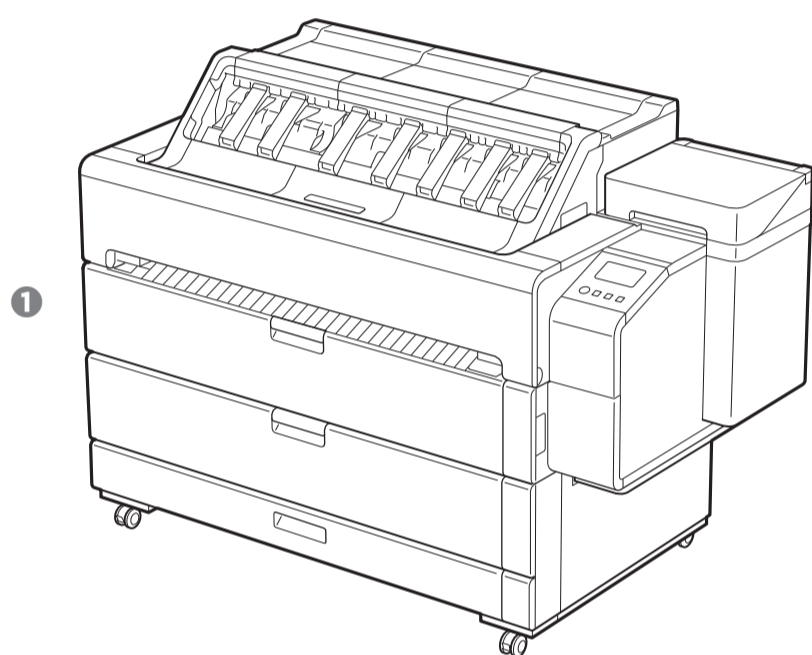
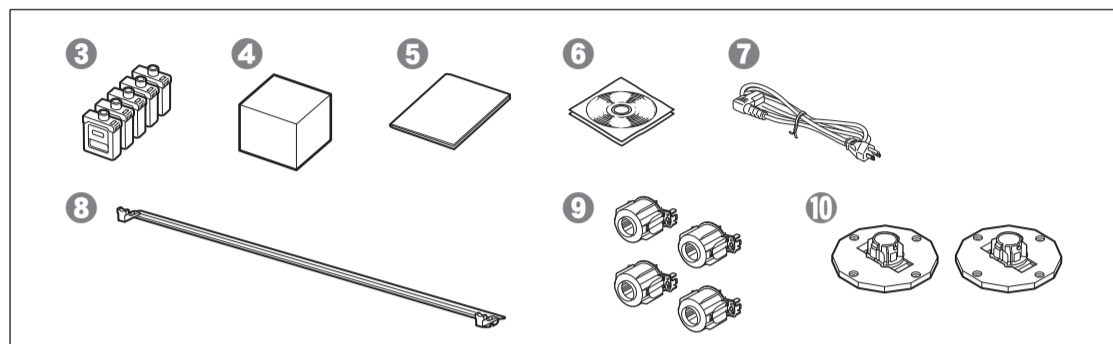
** Lorsque le panier est stocké

Contenu du colis

Vérifiez que les accessoires inclus suivants sont contenus dans l'emballage. Veuillez noter qu'aucun câble pour connecter l'imprimante à un ordinateur n'est fourni avec l'imprimante.

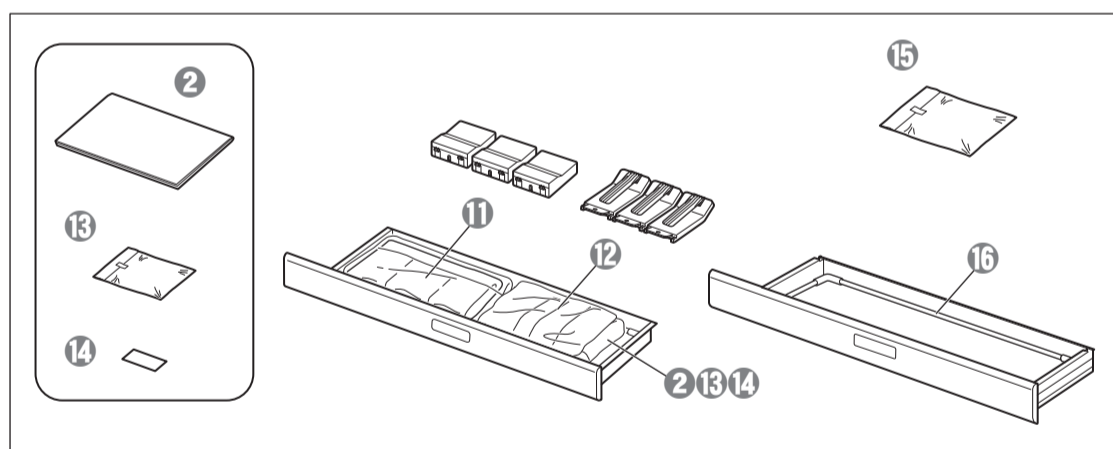
Remarque

- Certains des accessoires inclus ne sont pas décrits dans ce manuel. Stockez-les avec les autres accessoires car ils sont nécessaires pour d'autres fonctions.
- Pour obtenir des instructions sur les éléments inclus qui ne sont pas décrits dans ce manuel, reportez-vous au manuel en ligne en suivant les instructions de la section "Méthode d'affichage du manuel en ligne", p. 15.



- 1 Imprimante
- 2 Guide d'installation (ce manuel)
- 3 Cartouches d'encre (5 éléments)
- 4 Tête d'impression
- 5 Guide rapide
- 6 Jeu de CD-ROM
- 7 Cordon d'alimentation
- 8 Barre de support du panier
- 9 Fixations du tube à papier de 3 pouces (4 éléments)
- 10 Butoirs du rouleau (2 éléments)*
- 11 Supports de sortie papier (3 éléments)
- 12 Guides d'éjection supérieurs (3 éléments)
- 13 Clé Allen et vis (6 éléments) pour fixer les guides d'éjection supérieurs et les supports de sortie papier
- 14 Étiquette de manipulation du papier
- 15 Tissu du panier
- 16 Bras de panier

* Le butoir du rouleau est utilisé lors du chargement du papier en rouleau. Pour plus de détails, reportez-vous au Manuel en ligne.



Manuels fournis avec cette imprimante

Guide d'installation (ce manuel)

Explique comment configurer l'imprimante.

Guide rapide

Contient des informations relatives aux avertissements pour utiliser cette imprimante en toute sécurité et des informations relatives au remplacement du papier, des cartouches d'encre et de la tête d'impression.

Manuel en ligne (manuels électroniques)

Ce manuel décrit l'utilisation avancée de l'imprimante, notamment les conseils pour économiser le papier, la manière d'imprimer une affiche et une bannière avec le logiciel fourni et la méthode de réglage de la qualité d'impression, en plus des instructions de base pour l'impression sur du papier en rouleau ou sur une feuille de découpe. Pour afficher les manuels en ligne, reportez-vous à "Méthode d'affichage du Manuel en ligne" (p. 15).

Précautions de manipulation

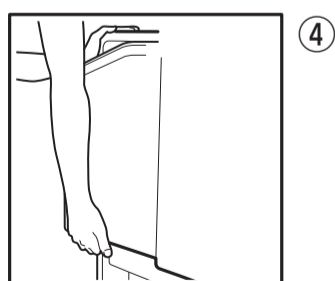
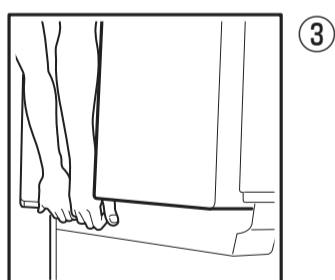
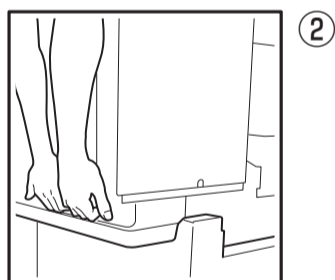
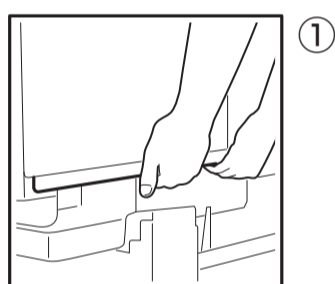
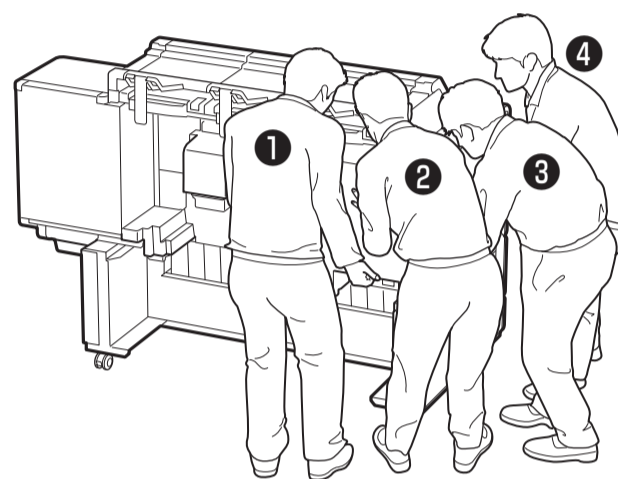
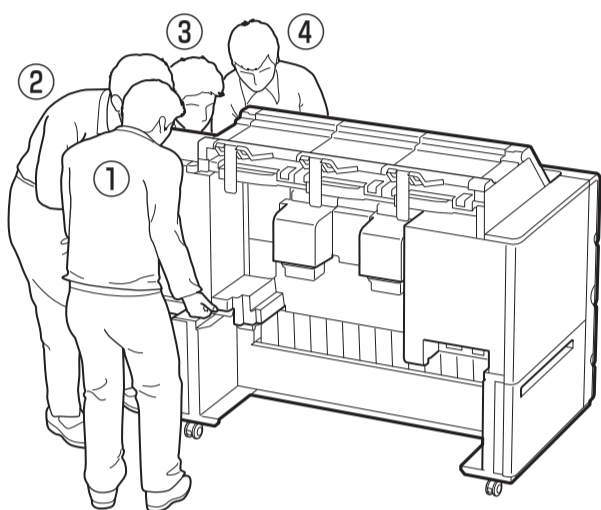
⚠ Attention

- Déplacez l'imprimante jusqu'à l'emplacement d'installation et commencez l'installation.
- Lorsque vous déplacez l'imprimante, vérifiez que tous les capots et plateaux de l'imprimante sont fermés avant de la déplacer.

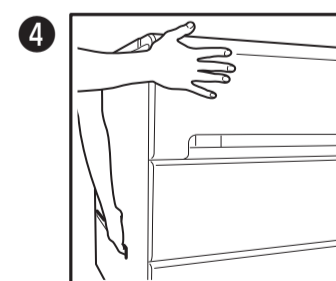
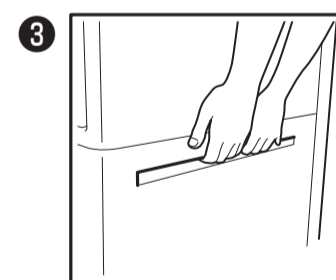
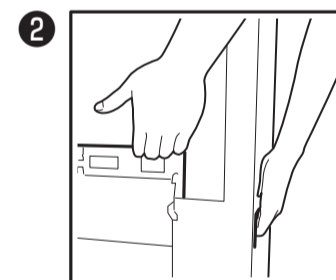
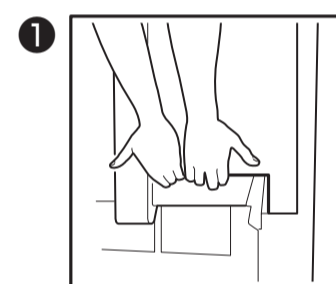
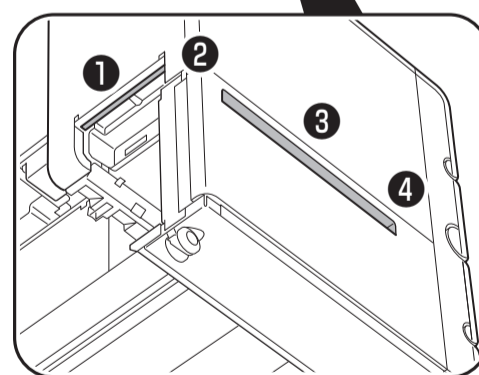
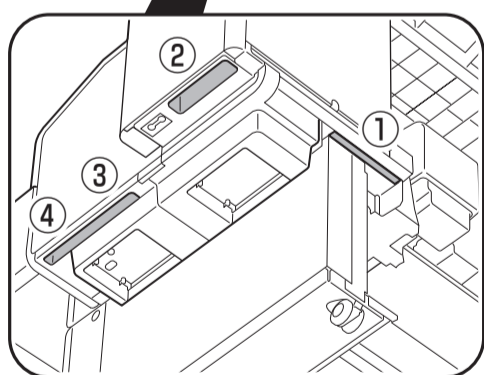
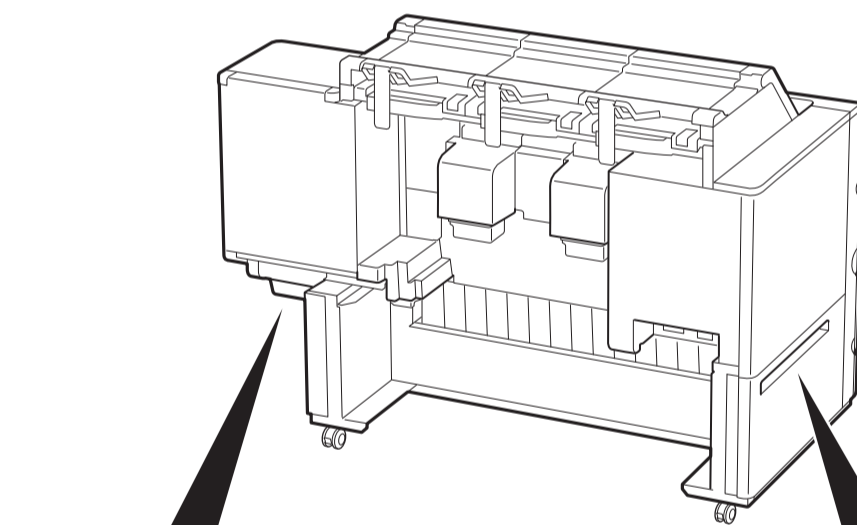
⚠ Lorsque vous soulevez l'imprimante

- Lorsque vous soulevez l'imprimante, faites en sorte que 4 personnes de chaque côté saisissent fermement les poignées de transport (la zone indiquée en grisé sur le schéma).

Le fait de tenir d'autres endroits peut endommager l'imprimante. Faites attention à la manipulation de l'imprimante car elle est très lourde.



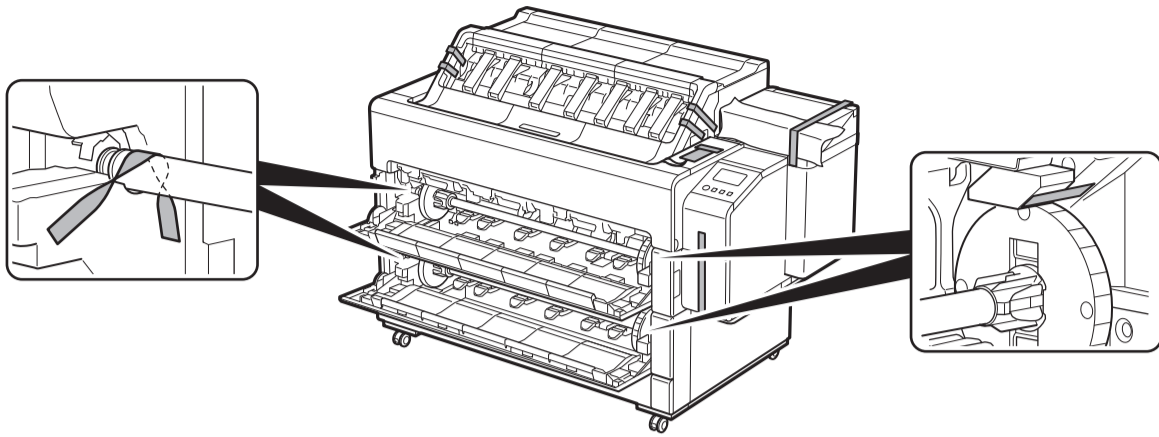
Soutenez doucement la face avant avec la main gauche.



Soutenez doucement la face avant avec la main droite.

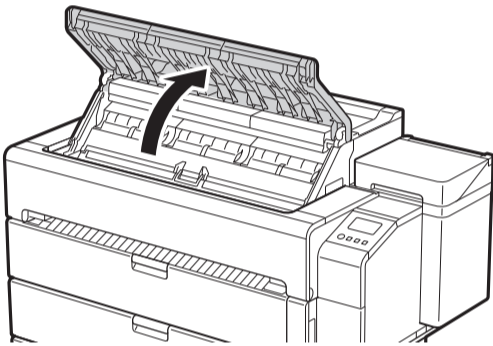
1 Retrait du matériau d'emballage

Retirez la bande et des autres matériaux d'emballage. Retirez la bande apposée sur le support du rouleau.

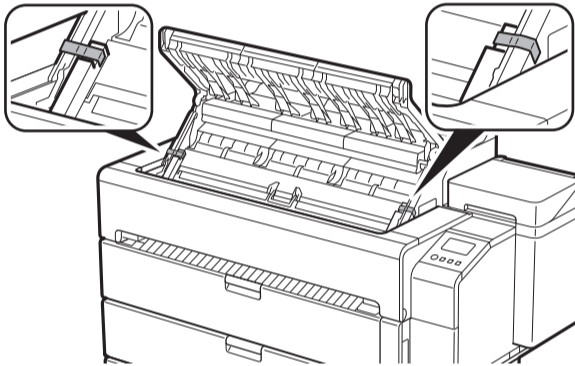


2 Mise sous tension de l'imprimante

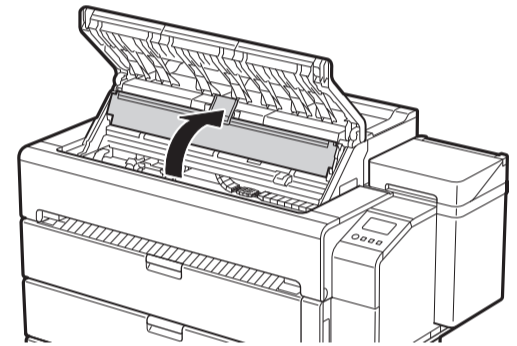
1 Ouvrez le capot supérieur.



2 Retirez la bande et le matériau de rembourrage apposés sur le panneau interne.

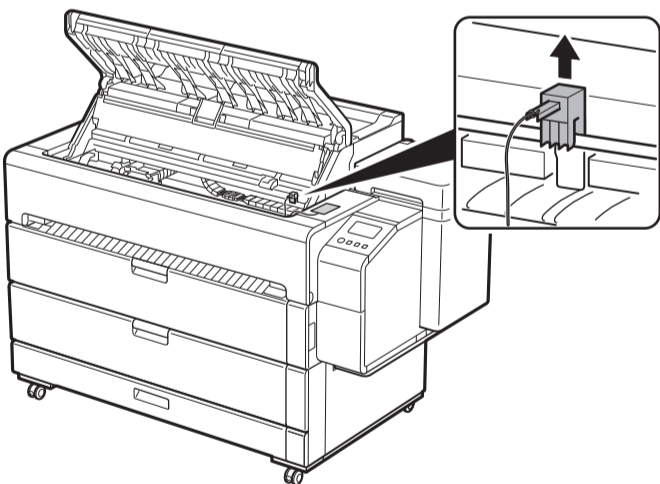


3 Ouvrez le panneau interne.



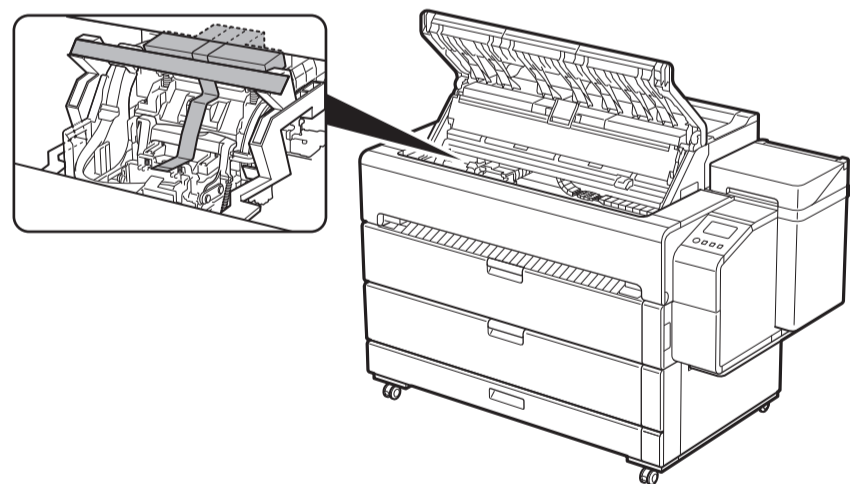
4 Tirez vers le haut le butoir de ceinture.

- Conservez le butoir de ceinture pour une utilisation ultérieure. Vous en aurez besoin si vous déplacez l'imprimante ailleurs.



5 Retirez la bande.

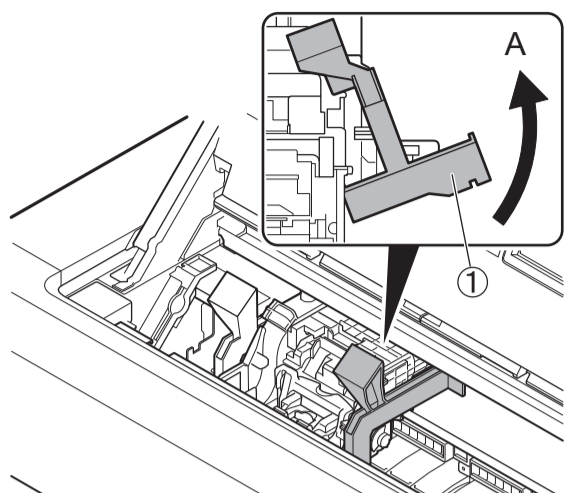
- Retirez la bande fixée au chariot, puis retirez le matériau de rembourrage.



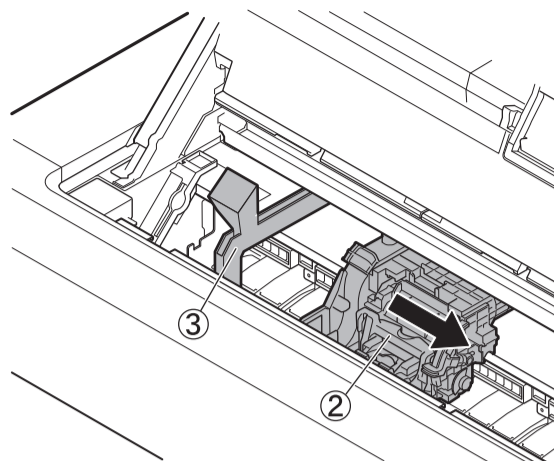
Remarque

- Le butoir de ceinture peut être rangé dans le tiroir d'accessoires. (P.15)

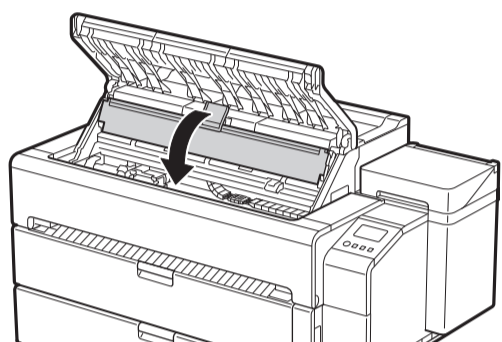
6 Faites pivoter le matériau de protection ① dans le sens A pour l'enlever.



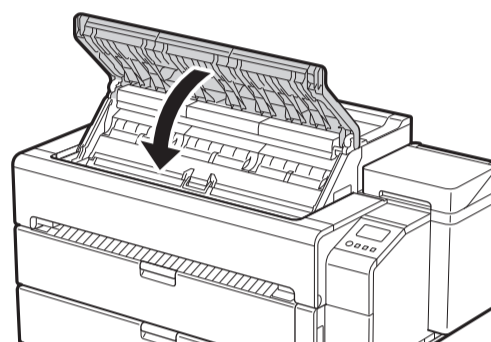
7 Déplacez le chariot ② dans le sens de la flèche et retirez le matériau protecteur ③.



8 Fermez le panneau interne.

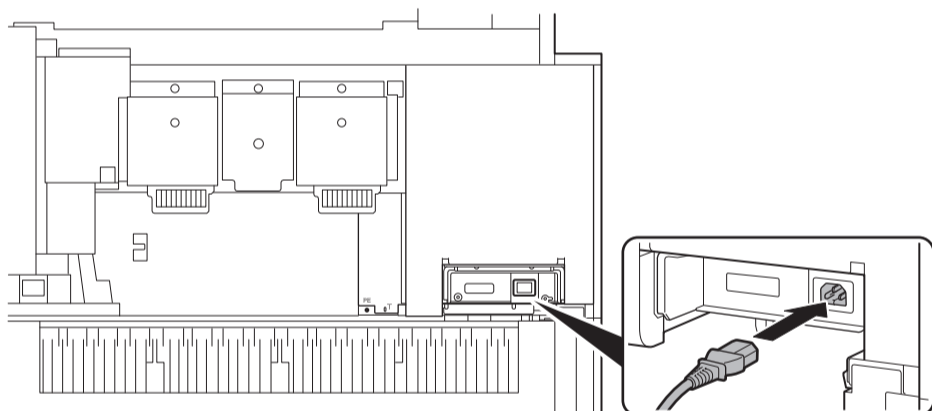


9 Fermez le capot supérieur.

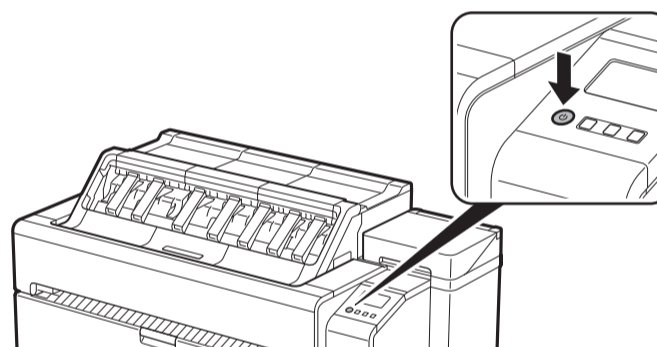


10 Branchez le cordon d'alimentation sur l'imprimante.

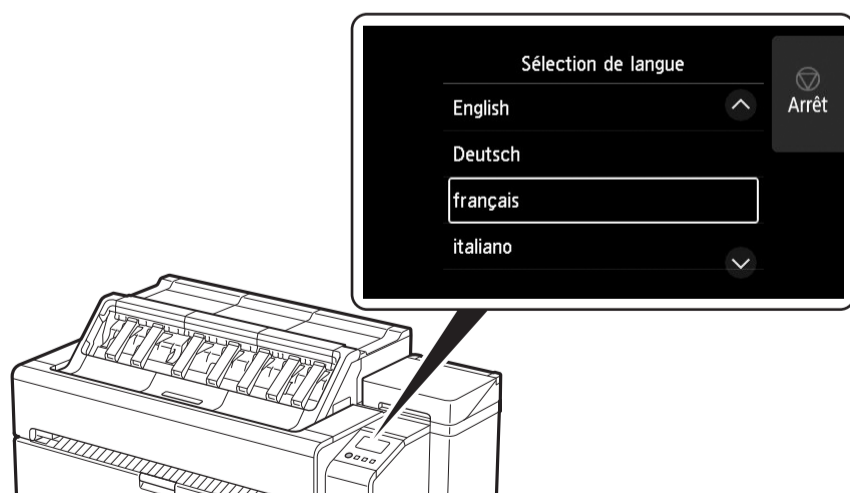
- Branchez le cordon d'alimentation sur le connecteur d'alimentation, à l'arrière de l'imprimante.



11 Branchez le cordon d'alimentation dans la prise, puis allumez l'imprimante.



12 Lorsque l'écran de sélection de langue s'affiche sur l'écran tactile, sélectionnez une langue en appuyant doucement dessus avec le doigt. Puis, si l'écran de sélection d'un fuseau horaire s'affiche, sélectionnez et appuyez sur votre région.



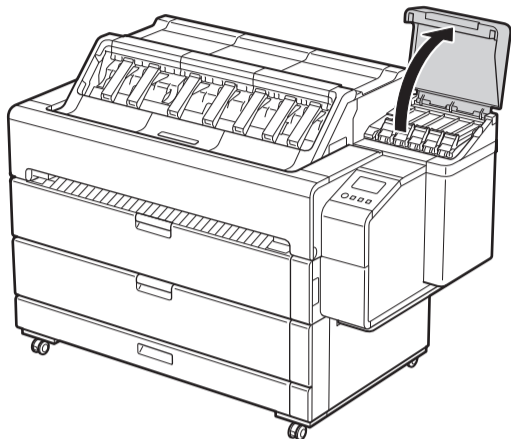
13 Lorsqu'un message vous demandant de démarrer la configuration s'affiche sur l'écran tactile, appuyez sur **OK**.



3 Installation des cartouches d'encre

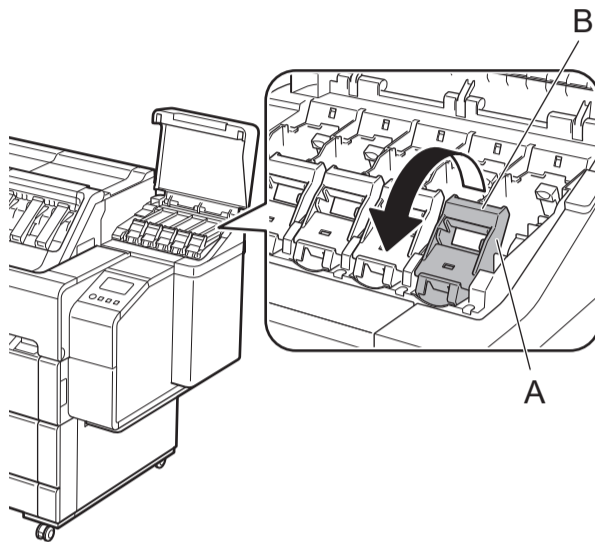
Les instructions d'installation des cartouches d'encre s'affichent sur l'écran tactile. Installez les cartouches d'encre comme indiqué. Si la cartouche d'encre est froide, laissez-lui le temps de s'adapter à la température ambiante avant de la monter dans l'imprimante.

1 Ouvrez le couvercle de la cartouche d'encre.

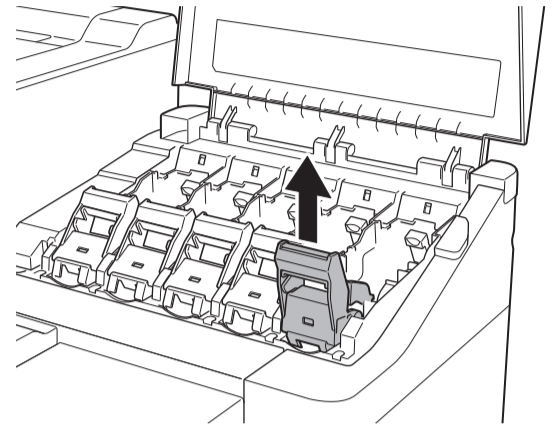


2 Relâchez le levier de verrouillage de cartouche d'encre de la couleur que vous installez.

- En appuyant sur le bouton à la position (B), soulevez la partie poignée (A) vers vous.

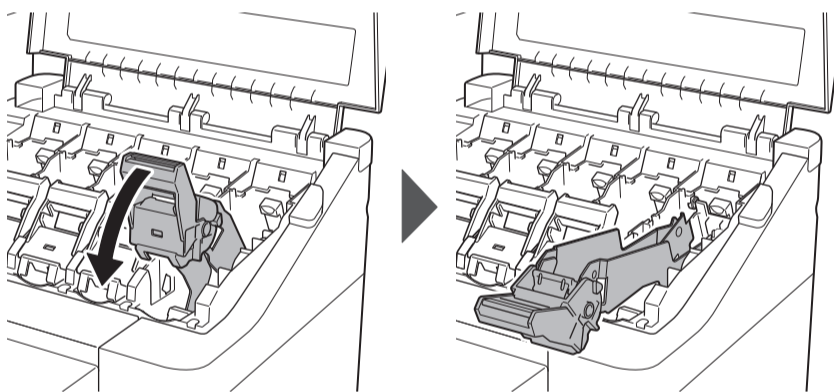


3 Dans cet état, relevez le levier de verrouillage de cartouche d'encre.

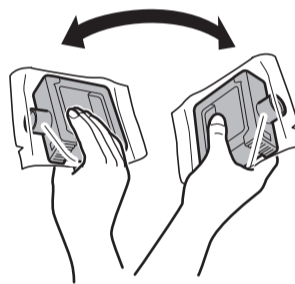


4 Continuez à tirer jusqu'à ce que tout le levier de verrouillage de cartouche d'encre soit incliné vers vous.

- Assurez-vous que le levier de verrouillage de cartouche d'encre reste dans cette position.



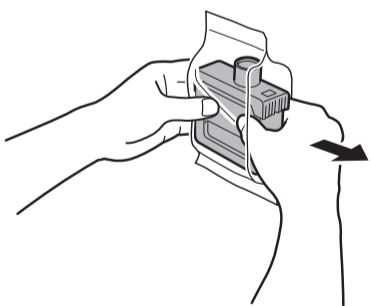
5 Secouez doucement chacune des cartouches d'encre de 7 à 8 fois avant d'ouvrir sa pochette.



Important

- Le fait de ne pas secouer les cartouches d'encre pourrait réduire la qualité d'impression car les ingrédients de l'encre seraient déposés en bas de la cartouche.

6 Ouvrez la pochette et sortez-en la cartouche d'encre.



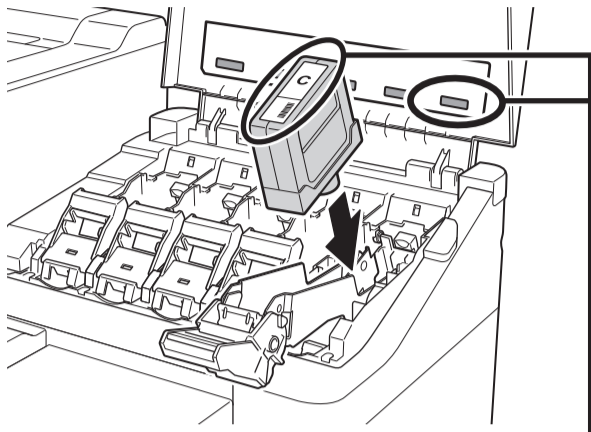
Important

- Ne touchez jamais les sorties d'encre ou les contacts métalliques (la zone indiquée en gris sur le schéma). Le fait de toucher ces parties pourrait provoquer des taches, endommager la cartouche d'encre et réduire la qualité d'impression.
- Évitez de laisser tomber la cartouche d'encre après avoir retirée de la pochette. Sinon, l'encre pourrait fuir et provoquer des taches.
- N'ôtez pas les cartouches d'encre pour les secouer après les avoir montées. Vous risqueriez de provoquer des éclaboussures d'encre.



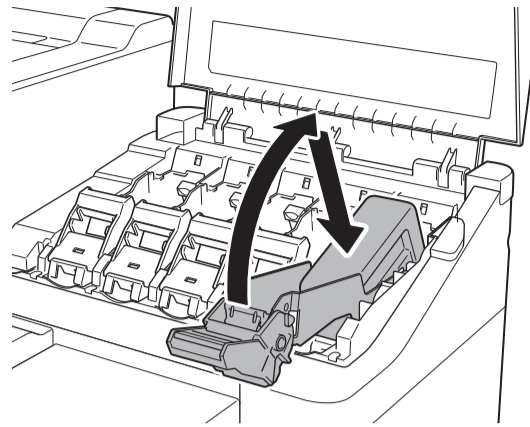
7 Vérifiez que la couleur de la cartouche d'encre est identique à celle affichée sur l'étiquette de l'imprimante et insérez la cartouche d'encre dans le support dans l'orientation indiquée sur le schéma.

- Insérez-la avec l'étiquette de la cartouche d'encre dirigée vers le haut et en veillant à ce que le texte figurant sur l'étiquette ne soit pas à l'envers.

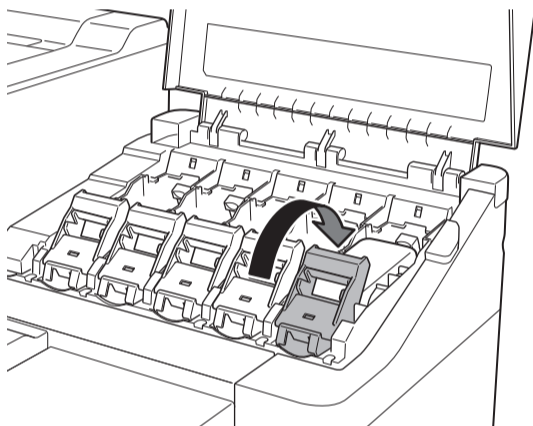


Faire correspondre la couleur de l'étiquette de la cartouche d'encre à la couleur de l'étiquette dans l'imprimante

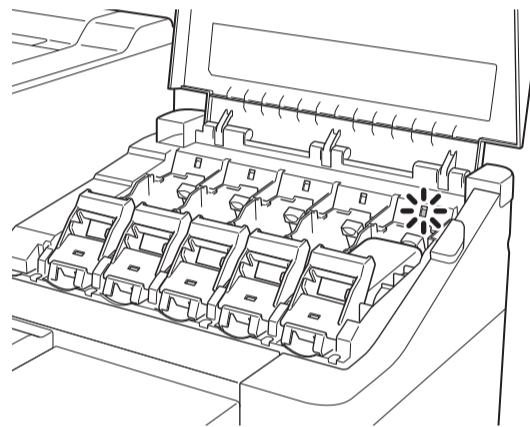
8 Relevez le levier de verrouillage de cartouche d'encre une fois, puis abaissez-le.



9 Appuyez fermement sur la partie poignée du levier de verrouillage de cartouche d'encre à fond.



10 Assurez-vous que le voyant d'encre est rouge.

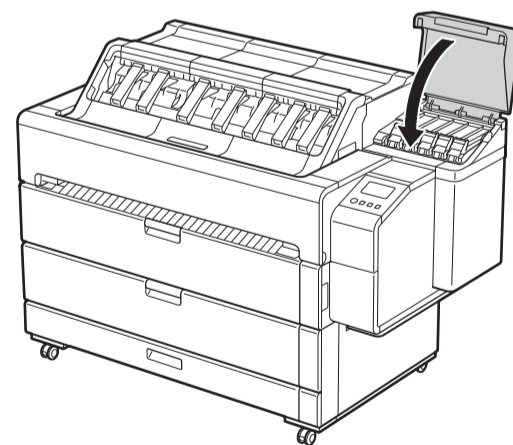


 **Important**

- Si le voyant d'encre ne s'allume pas, répétez les étapes 2 à 4 et 8 à 9.

11 Répétez les étapes 2 à 10 pour installer chacune des cartouches d'encre.

12 Fermez le couvercle de la cartouche d'encre. Lorsque l'écran de confirmation de l'installation de la cartouche d'encre s'affiche, touchez **OK**.



 **Important**

- N'ouvrez pas le capot supérieur ni le panneau interne. Une erreur peut se produire. Si une erreur se produit, coupez l'alimentation, fermez le capot supérieur et le panneau interne, puis remettez l'alimentation en marche.

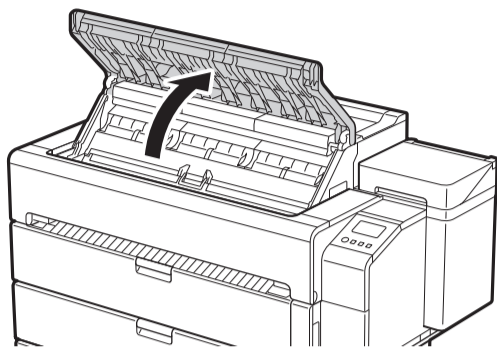
4

Installation de la tête d'impression



Les instructions concernant l'installation de la tête d'impression s'affichent alors sur l'écran tactile. Installez la tête d'impression en suivant les instructions.

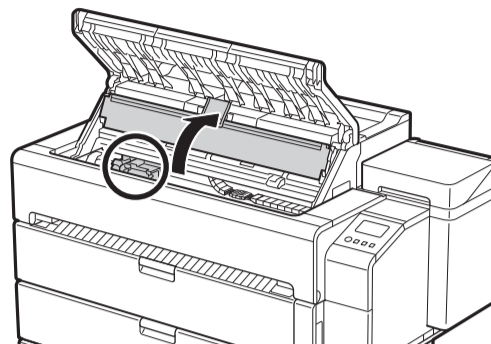
- 1 Lorsque la mention **Ouvrez le capot supérieur.** apparaît sur l'écran tactile, ouvrez le capot supérieur.



Important

- Si le capot supérieur est ouvert avant que **Ouvrez le capot supérieur.** n'apparaisse sur l'écran tactile, une erreur peut se produire. En cas d'erreur, coupez l'alimentation, fermez le capot supérieur, puis remettez l'alimentation en marche.

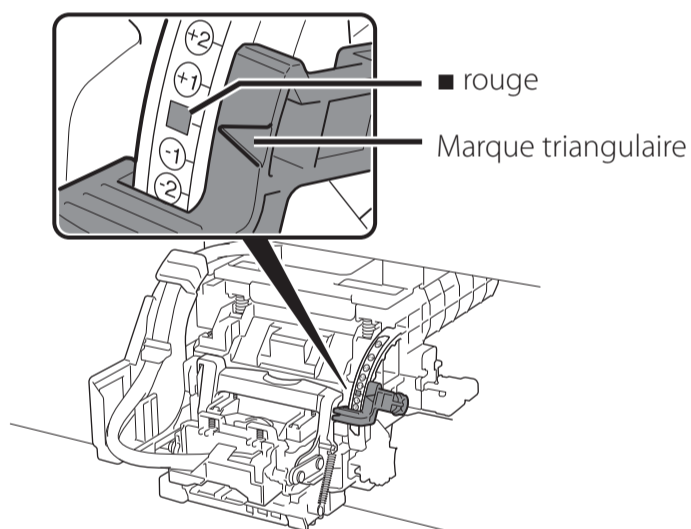
- 2 Ouvrez le panneau interne.



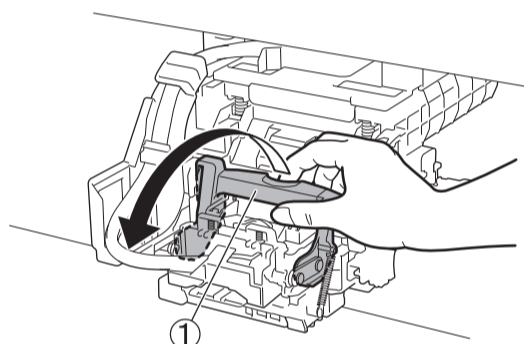
Important

- Ne déplacez pas le chariot (la zone délimitée par un cercle dans le diagramme). Si vous le déplacez accidentellement, fermez temporairement le panneau interne et le capot supérieur et celui-ci reprendra sa position initiale.

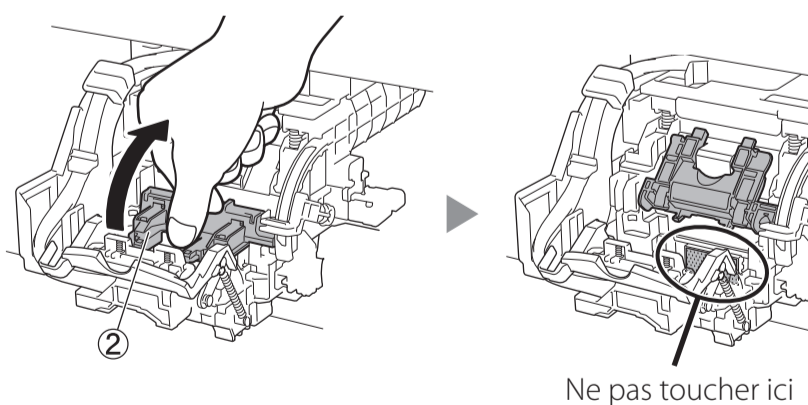
- 3 Vérifiez que la marque triangulaire sur le levier d'ajustement de l'angle est alignée avec la marque rouge ■. S'ils ne sont pas alignés, déplacez le levier d'ajustement de l'angle vers le haut ou vers le bas pour l'aligner avec le ■.



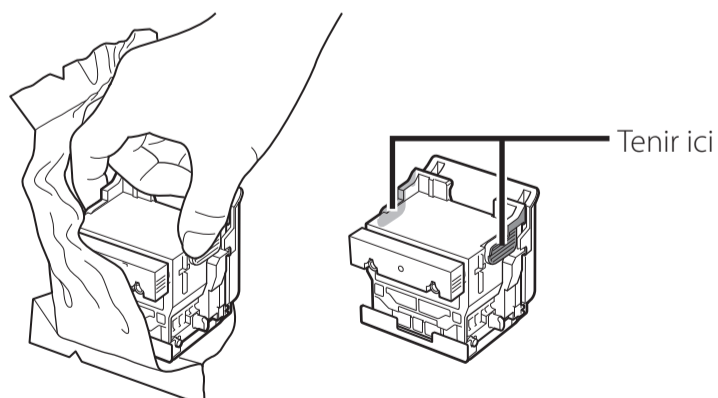
- 4 Inclinez le levier de verrouillage de tête d'impression ① vers vous.



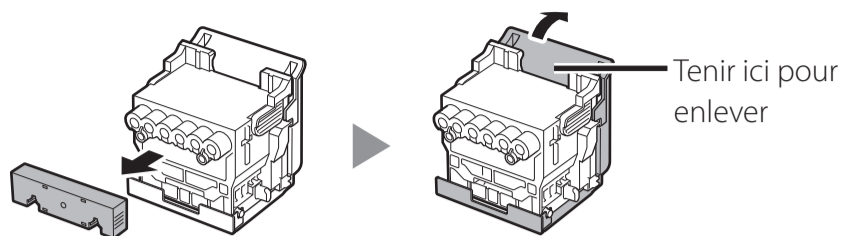
- 5 Ouvrez le couvercle de verrouillage de tête d'impression ② en suivant les instructions à l'écran et appuyez sur **OK**. Ne touchez pas les contacts électriques du chariot.



- 6 Saisissez la tête d'impression comme indiqué sur le schéma et retirez-la du sac.

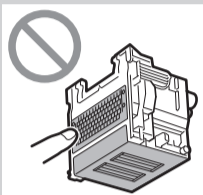
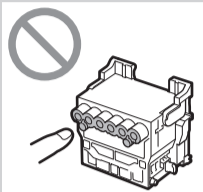


7 Retirez les capsules de protection orange dans l'ordre indiqué sur le schéma.



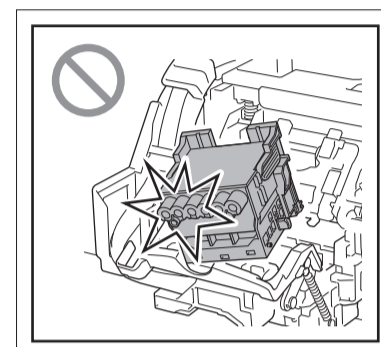
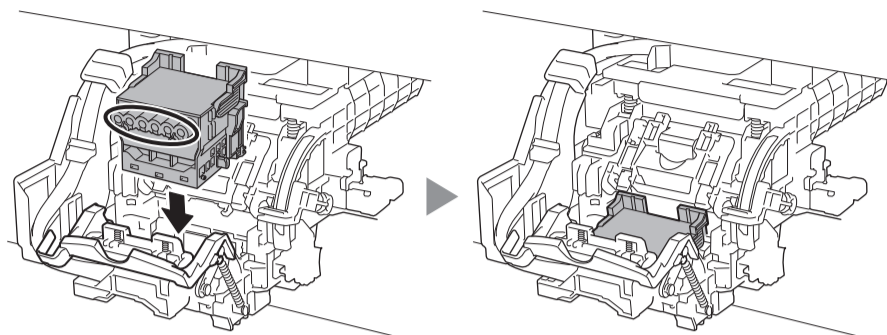
Important

- Ne touchez en aucune circonstance la partie qui était protégée par la capsule de protection (partie indiquée en gris sur le diagramme). Cela pourrait endommager la tête d'impression ou provoquer des problèmes d'impression.
- La tête d'impression est remplie d'encre. Veillez à ne pas salir vos vêtements et les objets environnants lorsque vous retirez les capsules de protection. Il est recommandé d'enlever les capsules de protection au-dessus du sac qui contenait la tête d'impression.
- Ne remontez pas les capsules de protection après les avoir enlevées. Mettez-les au rebut conformément aux réglementations locales.

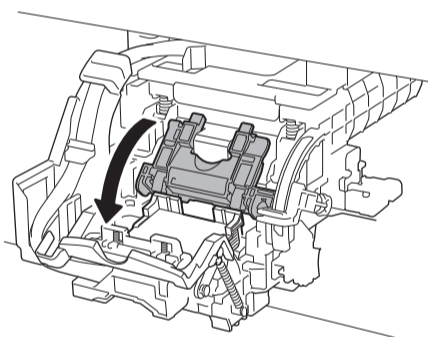


8 Installez la tête d'impression.

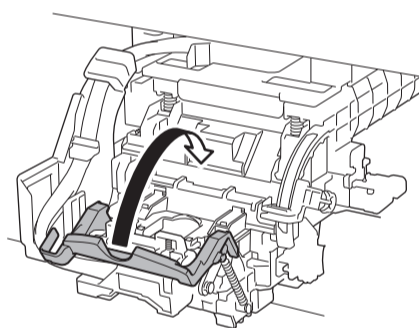
- Alignez la tête d'impression de sorte que la zone délimitée par un cercle sur le schéma vous fasse face et poussez délicatement la tête d'impression dans l'imprimante, en veillant à ce que la partie recouverte par les capsules de protection ne touche pas le chariot.



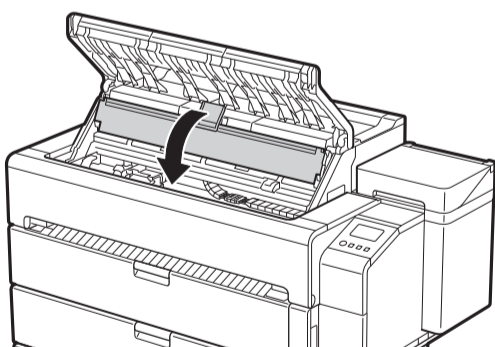
9 Tirez le couvercle de verrouillage de tête d'impression vers le bas et vers vous pour verrouiller la tête d'impression en position.



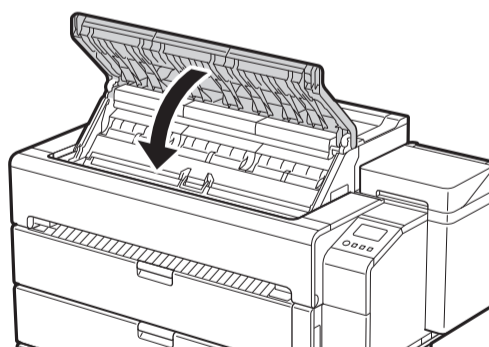
10 Poussez à fond le levier de verrouillage de tête d'impression.



11 Fermez le panneau interne.



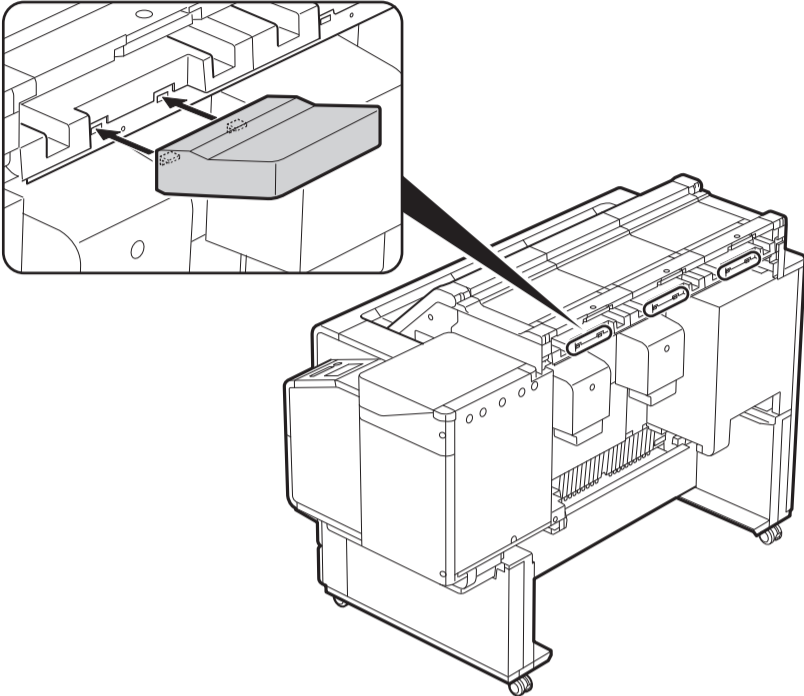
12 Fermez le capot supérieur.



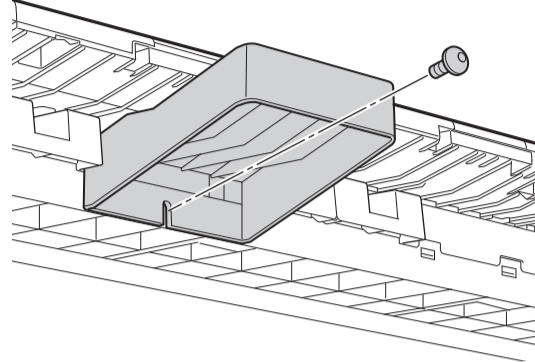
5 Installation des supports de sortie papier et des guides d'éjection supérieurs

5-1 Installation des supports de sortie papier

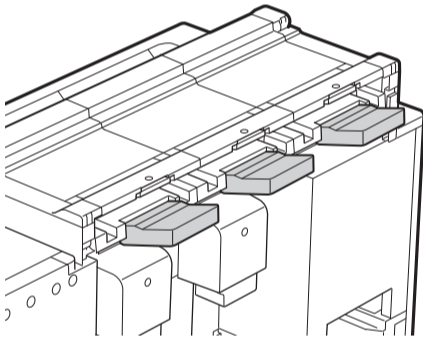
1 Fixez les supports de sortie papier sur l'imprimante.



2 Fixez-les à l'aide des vis.

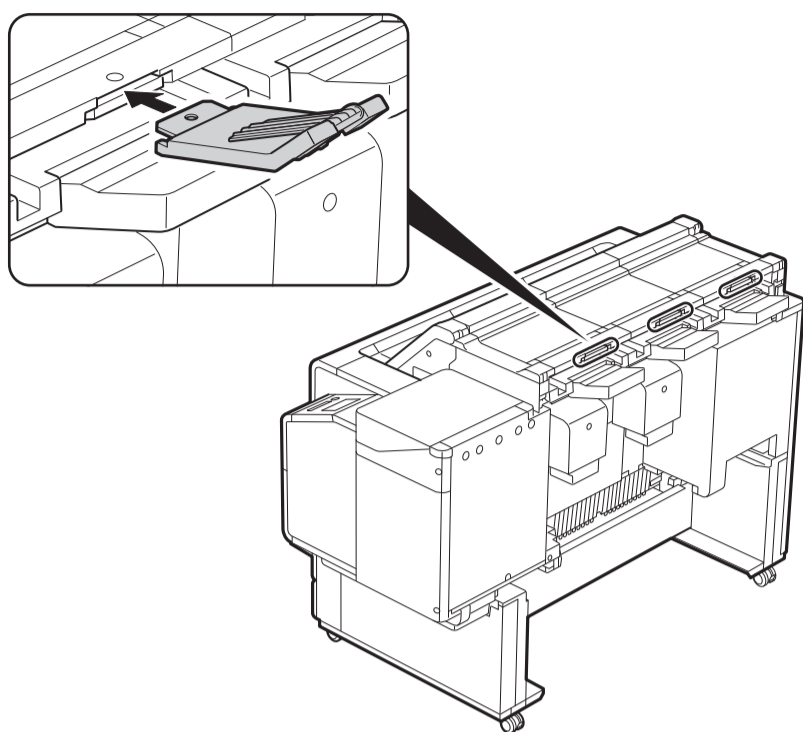


3 Répéter les étapes 1 à 2 pour installer chaque support de sortie papier.

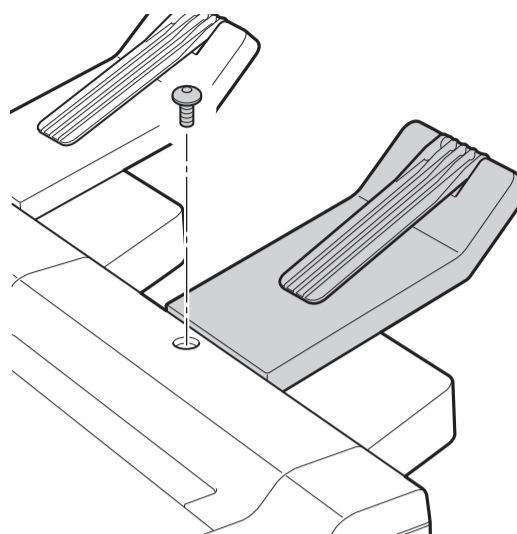


5-2 Installation des guides d'éjection supérieurs

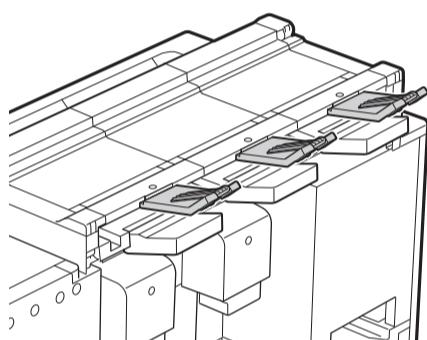
1 Fixez les guides d'éjection supérieurs sur l'imprimante.



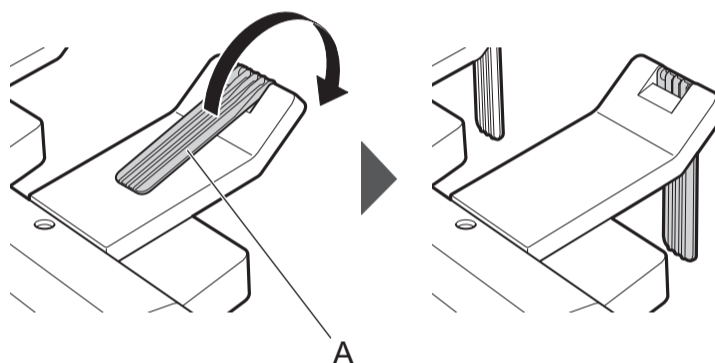
2 Fixez-les à l'aide des vis.



3 Répétez les étapes 1 à 2 pour installer chaque guide d'éjection supérieur.

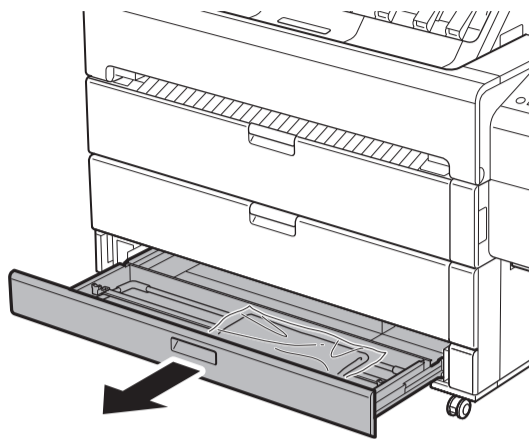


4 Ouvrez (A) dans le sens de la flèche.

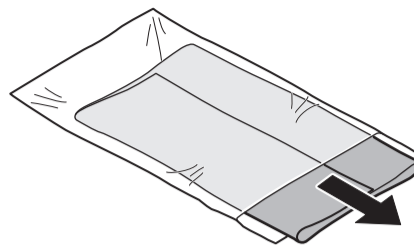


6 Préparation du panier

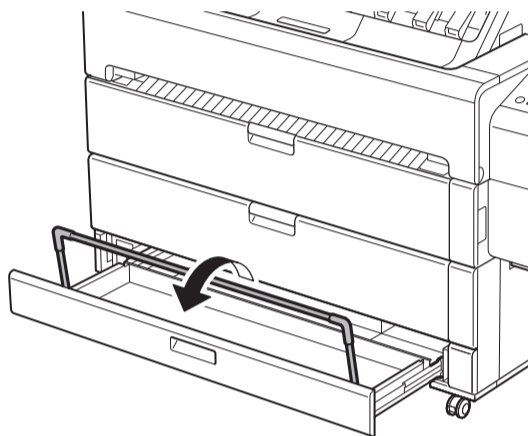
1 Sortez le tiroir d'accessoires.



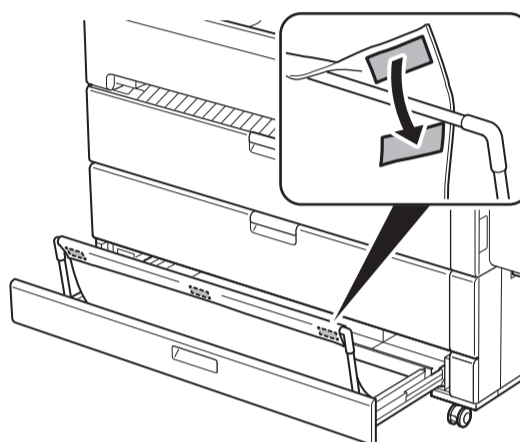
2 Retirez le tissu du panier du sac.



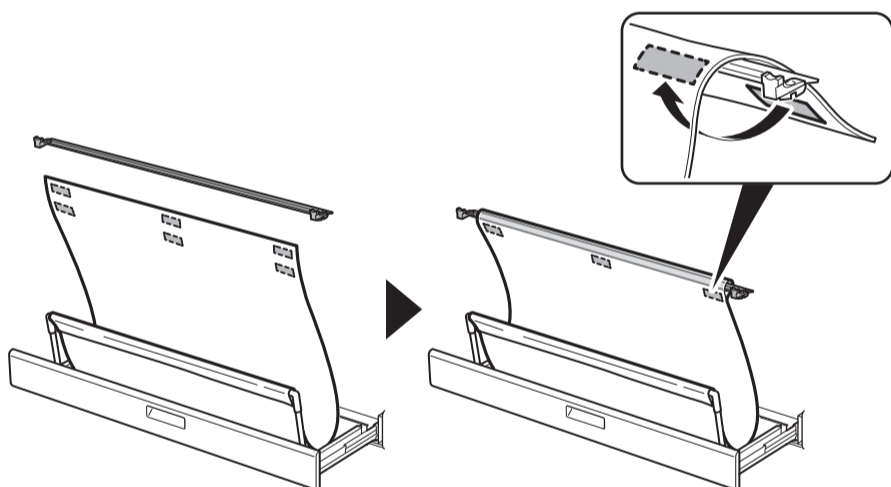
3 Relevez les bras du panier.



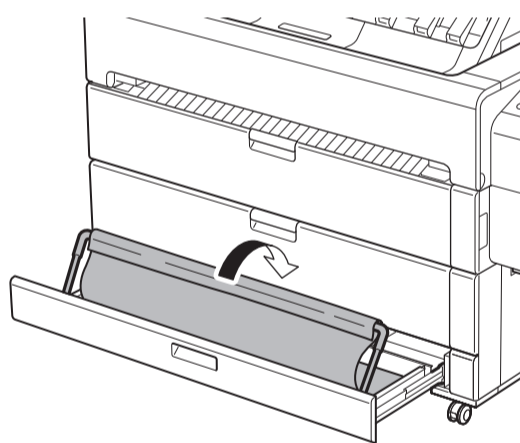
4 Fixez le tissu du panier au bras du panier à 3 endroits.



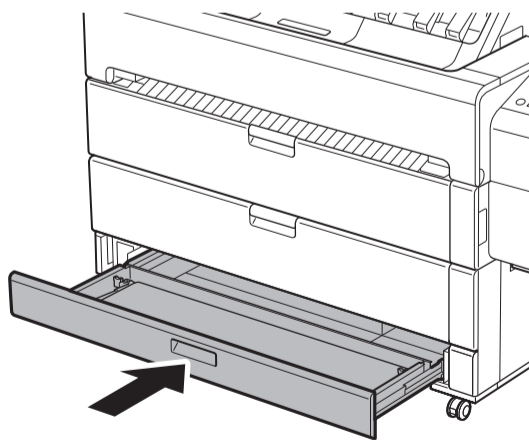
5 Fixez le tissu du panier à la barre de butée du panier en 3 endroits.



6 Rabattez le bras du panier pour ranger le tissu du panier dans le tiroir d'accessoires.



7 Fermez le tiroir d'accessoires.

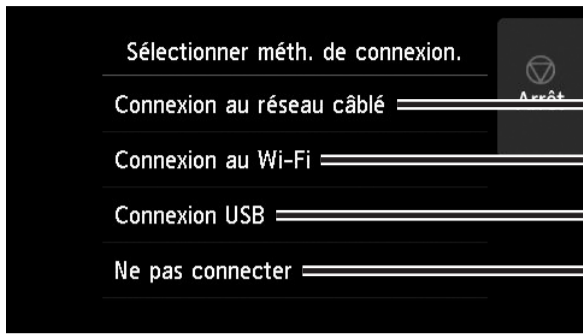


Remarque

- Consultez le guide rapide pour savoir comment utiliser le panier.

7 Sélection de la méthode de connexion à votre ordinateur

Lorsque quelque chose comme ce qui suit s'affiche sur l'écran tactile, appuyez sur la méthode de connexion.



Connectez l'imprimante au réseau à l'aide d'un câble réseau.

Connectez l'imprimante au réseau sans fil.

Connectez l'imprimante à un ordinateur à l'aide d'un câble USB.

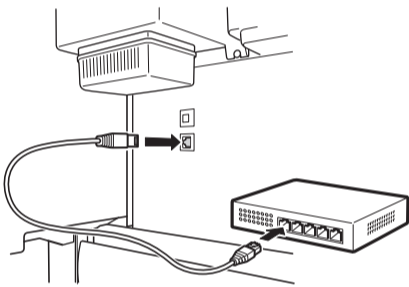
Sélectionnez cette option, par exemple lorsque vous vous connectez avec une adresse IP fixe. Les paramètres de connexion et l'installation du logiciel devront être effectués séparément. Démarrez les paramètres à partir de l'écran tactile de l'imprimante.

Connexion au réseau câblé

- 1 Sélectionnez **Connexion au réseau câblé**. Consultez le message à propos de la méthode de connexion et sélectionnez **Oui** en cas d'absence de problèmes.

- Un message vous invitant à connecter le câble réseau s'affiche.

- 2 Utilisez le câble réseau pour raccorder le connecteur du réseau câblé au port du concentrateur, sur à l'arrière de l'imprimante.



- 3 Sélectionnez **OK** et passez à "Installation du logiciel sur votre ordinateur" (p. 14).

Connexion au Wi-Fi

- 1 Sélectionnez **Connexion au Wi-Fi**. Consultez le message à propos de la méthode de connexion et sélectionnez **Oui** en cas d'absence de problèmes.

- Un message vous invitant à configurer une connexion Wi-Fi s'affiche.

- 2 Sélectionnez **Oui** et passez à "Installation du logiciel sur votre ordinateur" (p. 14).

- Pour configurer les paramètres de l'imprimante, sélectionnez **Non** et passez à "Configuration des réglages Wi-Fi sur l'écran tactile de l'imprimante" (colonne ci-dessous).

Connexion USB

- 1 Sélectionnez **Connexion USB**. Consultez le message à propos de la méthode de connexion et sélectionnez **Oui** en cas d'absence de problèmes.

- Ne raccordez pas encore le câble USB.

- 2 Sélectionnez **OK** et passez à "Installation du logiciel sur votre ordinateur" (p. 14).

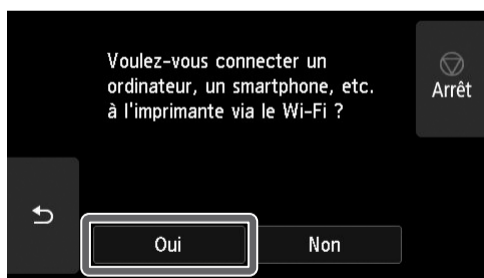
Important

- L'imprimante commence à charger l'encre pour la première fois* et effectue le réglage des têtes d'impression. Cela prend environ 25 minutes. N'ouvrez pas les capots de l'imprimante et ne mettez pas l'imprimante hors tension pendant cette période.

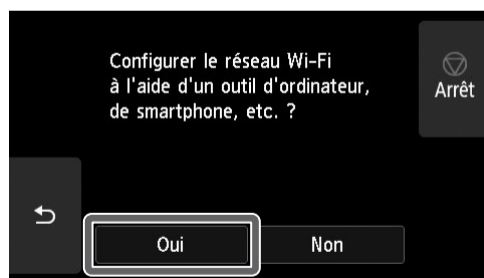
* Charge l'encre entre la cartouche d'encre et la tête d'impression et effectue un nettoyage afin de maintenir l'imprimante dans des conditions optimales. Cela peut faire baisser l'indicateur d'encre restante et de la capacité de la cartouche d'entretien d'une certaine quantité. Étant donné que les cartouches d'encre fournies sont destinées à l'installation initiale, il est recommandé d'acheter les cartouches d'encre de remplacement rapidement.

Configuration des réglages Wi-Fi sur l'écran tactile de l'imprimante Pour une connexion au Wi-Fi

- 1 Vérifiez que l'écran suivant apparaît et appuyez sur **Oui**.



- 2 Vérifiez que l'écran suivant apparaît et appuyez sur **Oui**.



- 3 Configurez les réglages en suivant les instructions affichées à l'écran.

- Lorsque l'écran d'accueil et  (réseau) s'affichent, les paramètres Wi-Fi sont configurés.



- 4 Passez à la section "Installation du logiciel sur votre ordinateur" (p. 14).

Remarque

- Si **Vérification de la buse, Injection de l'encre dans la tête d'impression...** ou **Nettoyage en cours...** est affiché, les paramètres initiaux de l'imprimante ne sont pas terminés. Patientez jusqu'à ce que l'écran ci-dessus s'affiche.

8 Installation du logiciel sur votre ordinateur

Les réglages de connexion de l'imprimante et l'installation du logiciel s'effectuent à l'aide d'un ordinateur. Vous pouvez télécharger le fichier de configuration depuis notre site Web. Si vous utilisez un PC Windows, vous pouvez également exécuter le fichier depuis le CD-ROM.

Téléchargement depuis le site Web (Windows/macOS)

- 1 Accédez au site Web de Canon sur votre ordinateur.
<https://ij.start.canon/TZ-30000>
- 2 Cliquez sur **Télécharger** pour télécharger le fichier de configuration, puis lancez le fichier.

- Si un écran d'avertissement relatif au téléchargement s'affiche, sélectionnez **Ne pas bloquer**, **Autoriser**, etc., puis passez à l'étape suivante.

Cliquez sur Télécharger pour démarrer la configuration.

Suivez les instructions qui s'affichent à l'écran pour terminer la configuration.



Démarrer à partir du CD-ROM fourni (Windows)

■ Si vous utilisez Windows 10 ou Windows 8.1




- 1 Insérez le CD-ROM d'installation dans l'ordinateur.



- 2 Cliquez sur le message contextuel du disque dur, puis sur **Exécuter Msetup4.exe** sur l'écran affiché.

Remarque

Si le message ne s'affiche pas (ou s'il s'est effacé)

- ① Cliquez sur  ou  **Explorateur de fichiers** dans la barre de tâches.
- ② Cliquez sur **Ce PC** sur le côté gauche de la fenêtre qui s'ouvre.
- ③ Double-cliquez sur l'icône  CD-ROM, sur le côté droit de la fenêtre.
- ④ Lorsque le contenu du CD-ROM s'affiche, double-cliquez sur **Msetup4.exe**.

- 3 Si la boîte de dialogue **Contrôle de compte d'utilisateur** s'affiche, cliquez sur **Oui** et passez à l'étape suivante.

■ Si vous utilisez Windows 7


- 1 Insérez le CD-ROM d'installation dans l'ordinateur.



- 2 Lorsque l'écran **Lecture automatique** s'affiche, cliquez sur **Exécuter Msetup4.exe**.

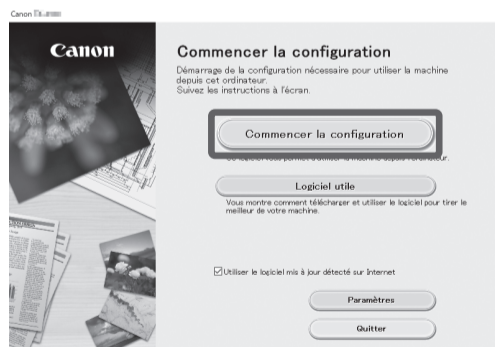
Remarque

Si l'écran **Lecture automatique** ne s'affiche pas

- ① Cliquez sur **Ordinateur** dans le menu de démarrage.
- ② Double-cliquez sur l'icône  CD-ROM, à droite de la fenêtre qui s'affiche.
- ③ Lorsque le contenu du CD-ROM s'affiche, double-cliquez sur **Msetup4.exe**.

- 3 Si la boîte de dialogue **Contrôle de compte d'utilisateur** s'affiche, cliquez sur **Oui** et passez à l'étape suivante.

- 4 Cliquez sur **Commencer la configuration** la configuration. Configurez les réglages en suivant les instructions affichées à l'écran.



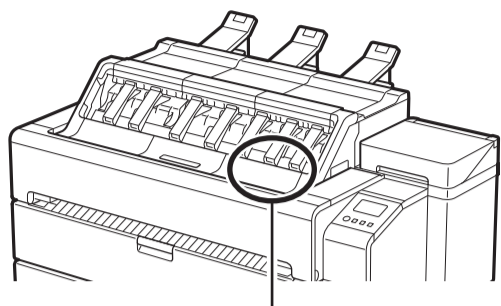
Remarque

- Un écran permettant de choisir la méthode de connexion de l'imprimante peut s'afficher au milieu de la configuration des réglages. Le cas échéant, choisissez la méthode que vous avez sélectionnée p. 13 et cliquez sur **Suivant**, puis continuez avec le reste des réglages.
- Raccordez le câble USB à l'emplacement approprié en suivant les instructions à l'écran.

À propos de l'étiquette de manipulation du papier

Une étiquette décrivant les méthodes de manipulation du papier est incluse à titre d'accessoire.

Collez-la à l'endroit indiqué sur le schéma et reportez-vous-y si nécessaire. Vous pouvez également accéder aux vidéos en utilisant le code QR figurant sur l'étiquette.



Position pour le collage de l'étiquette

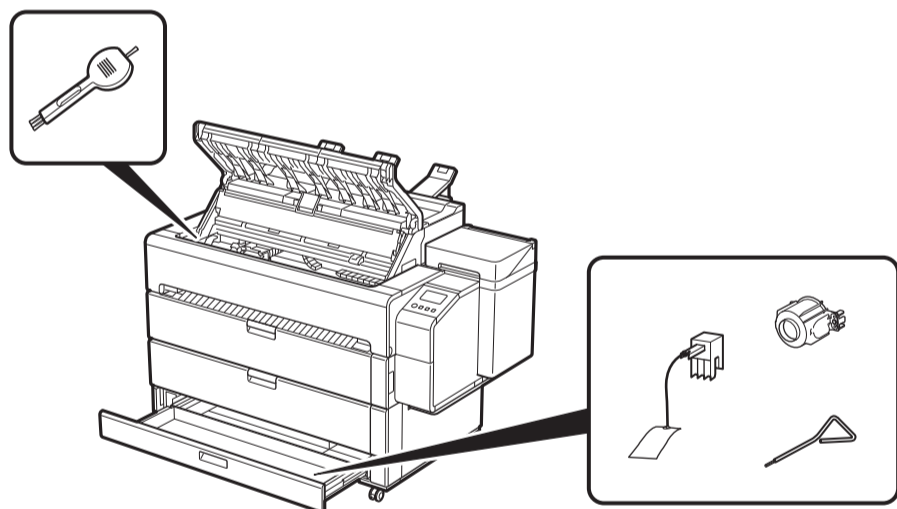
Chargement du papier



1. Appuyez sur (Charger).
2. Sélectionnez le papier.
3. Suivez les instructions à l'écran.

Stockage des accessoires

Lorsque vous ouvrez le panneau interne, une brosse de nettoyage (pour nettoyer l'intérieur) est rangée sur le côté gauche. Le tiroir d'accessoires peut être utilisé pour ranger des accessoires tels que les fixations du tube à papier de 3 pouces, les butoirs de ceinture et les clés Allen.



Impression à partir d'un smartphone ou d'une tablette

Avec l'application "Canon PRINT Inkjet/SELPHY", vous pouvez facilement imprimer des photos sans fil sur votre smartphone ou votre tablette (fonctionnant sous iOS ou Android).



iOS

Recherchez "Canon Print" dans l'App Store.

Android

Recherchez "Canon Print" dans Google Play.

Remarque

- Vous pouvez également télécharger l'application en accédant au site Web Canon à partir du code QR sur la droite.



Méthode d'affichage du manuel en ligne

Le Manuel en ligne explique comment utiliser l'imprimante. Vous pouvez y accéder et depuis le site Web Canon, comme indiqué ci-dessous.

1 Accédez au site Web Canon selon l'une des méthodes suivantes.

- Saisissez l'URL

<https://ij.start.canon>

Sélectionnez le numéro de modèle de l'imprimante que vous utilisez.

- Balayez le code QR



2 Sélectionnez Lire le manuel en ligne.

- Effectuez les opérations restantes conformément aux instructions affichées à l'écran pour afficher le Manuel en ligne.

Marques commerciales

Windows est une marque commerciale ou une marque déposée de Microsoft Corporation aux Etats-Unis et/ou dans d'autres pays.

macOS et App Store sont des marques commerciales d'Apple Inc. enregistrées aux Etats-Unis et dans d'autres pays.

iOS est une marque commerciale ou une marque déposée de Cisco aux Etats-Unis et dans d'autres pays et est utilisée sous licence.

Android est soit une marque déposée, soit une marque commerciale de Google Inc.

Google Play et le logo Google Play sont des marques commerciales de Google LLC.

QR Code est une marque déposée de DENSO WAVE INCORPORATED au Japon et dans d'autres pays.

Réponse aux messages

Des messages d'erreurs peuvent s'afficher sur l'écran tactile du panneau de contrôle lors de la configuration de l'imprimante. Il est possible que cela ne signale pas un problème au niveau de l'imprimante, et que le problème puisse être résolu facilement. Les messages courants et les causes sont répertoriés ici avec les actions correctives. Pour plus de détails sur les autres messages, reportez-vous au Manuel en ligne.

Message	Cause	Action corrective
Cartouche d'encre non installée. Installez-la correctement.	Aucune cartouche d'encre n'est chargée.	Installez ou réinstallez la cartouche d'encre. (Reportez-vous aux étapes 1 à 12, p. 6 et p. 7)
	La cartouche d'encre n'est pas fermement installée à fond.	
La tête d'impression n'est pas correctement reconnue. Ouvrez le capot supérieur et le panneau interne, puis installez la bonne tête d'impression.	La tête d'impression n'est pas installée.	Installez la tête d'impression. (Reportez-vous aux étapes 1 à 12, p. 8 et p. 9)
	Panne des contacts électriques au niveau de la tête d'impression.	Ôtez la tête d'impression, vérifiez qu'aucun débris n'adhère aux contacts électriques de la tête d'impression et au chariot, puis remettez-la en place.
Erreur de matériel ECxx-xxxx (x représente une lettre ou un nombre) Erreur de l'imprimante. Désactivez le périphérique, patientez un moment, puis réactivez-le.	Le butoir de ceinture ou la bande à l'intérieur du capot supérieur n'a pas été retiré.	Mettez l'appareil hors tension, ouvrez le capot supérieur, et retirez la bande et le butoir de ceinture, puis remettez l'appareil sous tension. (Reportez-vous aux étapes 1 à 9, p. 4 et p. 5)
	Le panneau interne a été ouvert pendant le chargement de l'encre.	Coupez le courant, fermez le panneau interne et le capot supérieur, préparez les cartouches d'encre de remplacement, puis mettez l'appareil sous tension.
	Il est possible que vous rencontriez une erreur qui ne puisse pas être résolue.	Mettez l'imprimante hors tension et patientez au moins 3 secondes avant de rétablir l'alimentation. Si le message s'affiche à nouveau, inscrivez le code d'erreur et le message, mettez l'imprimante hors tension et contactez votre revendeur Canon pour bénéficier d'une assistance.
Erreur ECxx-xxxx (x représente une lettre ou un nombre) Erreur de l'imprimante. Consultez le manuel et contactez le centre de service.	Il est possible que vous rencontriez une erreur qui ne puisse pas être résolue.	Inscrivez le code d'erreur et le message, mettez l'imprimante hors tension et contactez votre revendeur Canon pour bénéficier d'une assistance.

Visão geral da configuração

Configure a impressora usando o procedimento a seguir. Se uma mensagem de erro aparecer durante a configuração ou outros problemas ocorrerem, você deve consultar "Responder a mensagens" na p. 16.

	1 Remoção da embalagem	Página 4
	2 Ligar a impressora	Página 4
	3 Instalação dos cartuchos de tinta	Página 6
	4 Instalação da cabeça de impressão	Página 8
	5 Instalação dos suportes de saída de papel e guias de saída na parte superior	Página 10
	6 Preparação da cesta	Página 12
	7 Seleção do método de conexão ao seu computador	Página 13
	8 Instalação do software no seu computador	Página 14

Sobre a etiqueta de manuseio de papel	Página 15
Carregamento do papel	Página 15
Armazenamento de acessórios	Página 15
Impressão de um smartphone ou tablet	Página 15
Como exibir o Manual On-line	Página 15
Marcas registradas	Página 15
Responder a mensagens	Página 16

Espaço para instalação

Ao instalar a impressora, recomenda-se reservar o espaço especificado a seguir em torno da impressora.

Importante

- Este é o espaço para usar os suportes de saída de papel e as guias de saída na parte superior.
- O espaço necessário na frente da impressora difere dependendo se a cesta for usada.

■ TZ-30000

Espaço necessário* (L x P x A)

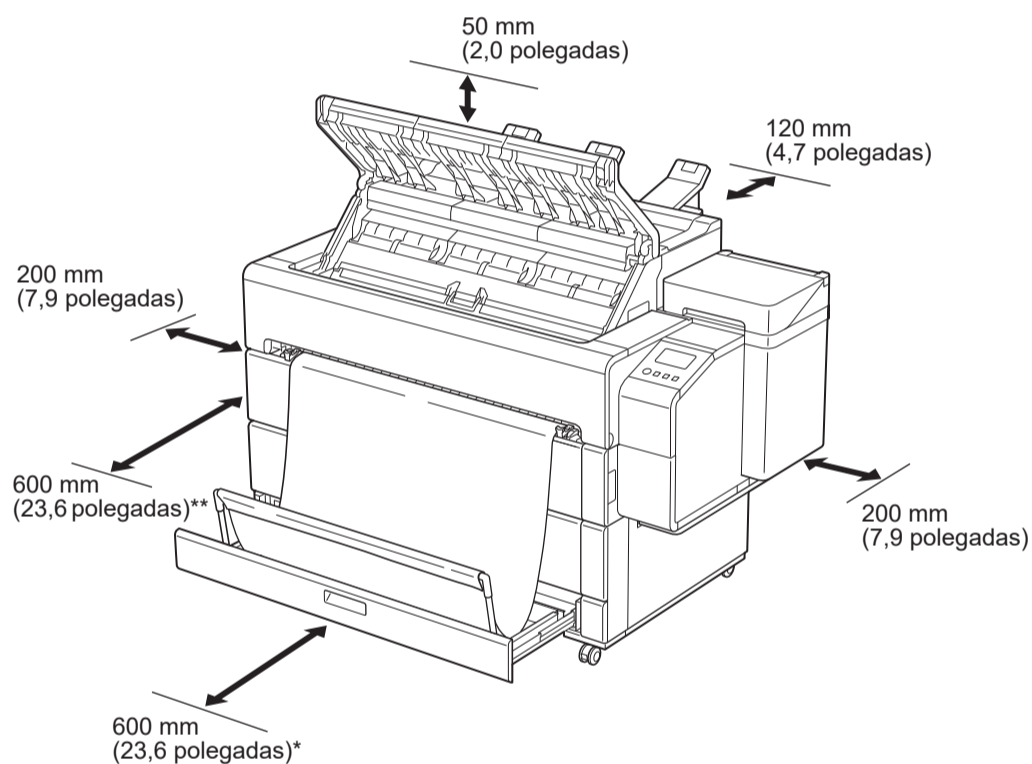
1.948 x 2.013 x 1.478 mm

76,7 x 79,3 x 58,2 polegadas

Espaço necessário** (L x P x A)

1.948 x 1.680 x 1.478 mm

76,7 x 66,2 x 58,2 polegadas



* Quando usar a cesta

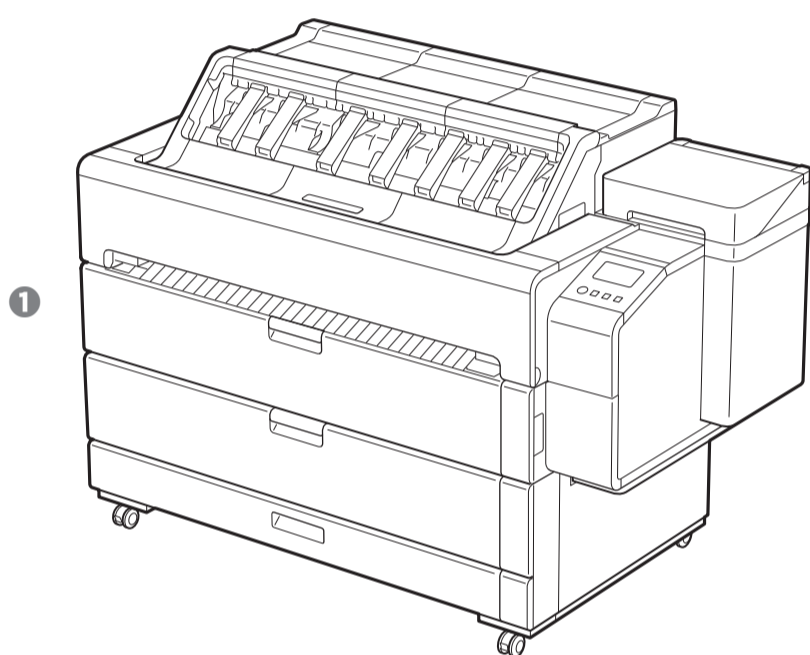
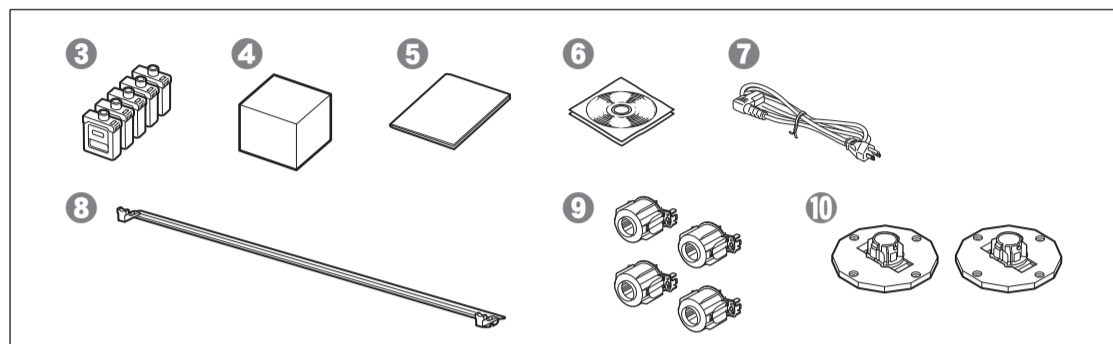
** Quando a cesta estiver armazenada

Conteúdos da embalagem

Verifique se os acessórios incluídos a seguir constam no pacote. Perceba que o cabo para conectar a impressora ao computador não é fornecido com a impressora.

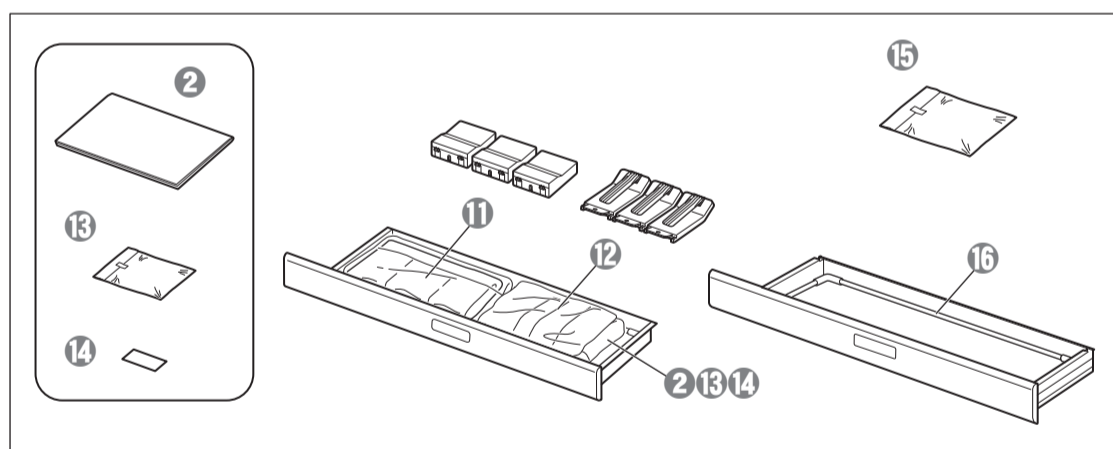
Nota

- Alguns dos acessórios incluídos não são descritos neste manual. Guarde-os junto com os outros acessórios, pois são necessários para outras funções.
- Para instruções de uso dos itens inclusos mas não descritos neste manual, consulte o Manual On-line seguindo as instruções em "Como exibir o Manual On-line", na p. 15.



- 1 Impressora
- 2 Guia de configuração (este manual)
- 3 Cartuchos de tinta (5 peças)
- 4 Cabeça de impressão
- 5 Guia rápida
- 6 Conjunto de CD-ROMs
- 7 Cabo de alimentação
- 8 Barra de suporte de cesta
- 9 Anexos de núcleo de papel de 3 polegadas (4 peças)
- 10 Fixadores do suporte (2 peças)*
- 11 Suportes de saída do papel (3 peças)
- 12 Guias de saída na parte superior (3 peças)
- 13 Chave Allen e parafusos (6 peças) para prender as guias de saída na parte superior e suportes de saída do papel
- 14 Etiqueta de manuseio de papel
- 15 Tecido da cesta
- 16 Braço da cesta

* Usado para carregar papel em rolo. Para obter mais detalhes, consulte o Manual On-line.



Manuais incluídos com esta impressora

Guia de configuração (este manual)

Descreve como configurar a impressora.

Guia rápida

Contém informações relacionadas aos avisos para o uso seguro desta impressora e informações relacionadas à substituição do papel, cartuchos de tinta e a cabeça de impressão.

Manual On-line (manuais eletrônicos)

Este manual descreve o uso avançado da impressora, como dicas para economizar papel, como imprimir pôsteres e banners com o software fornecido e o método de ajuste da qualidade de impressão, além das instruções básicas para imprimir em papel em rolo ou folha cortada. Para visualizar o Manual On-line, consulte "Como exibir o Manual On-line" (p. 15).

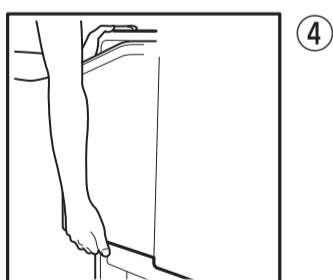
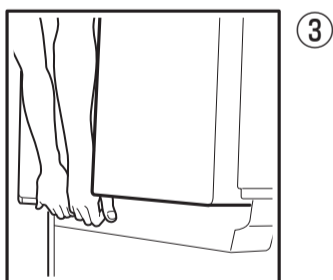
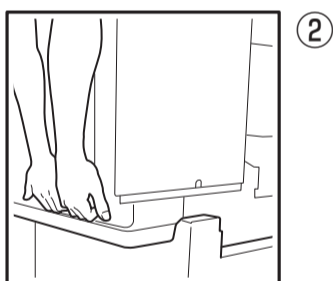
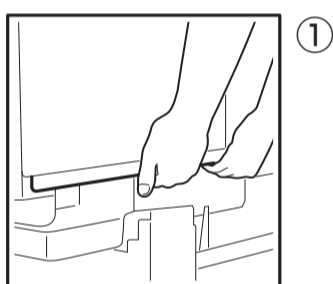
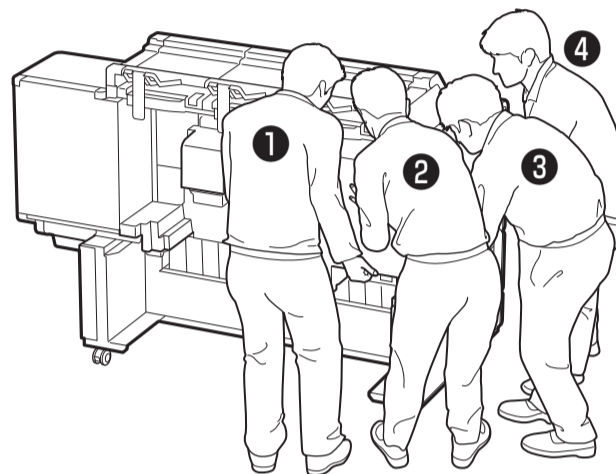
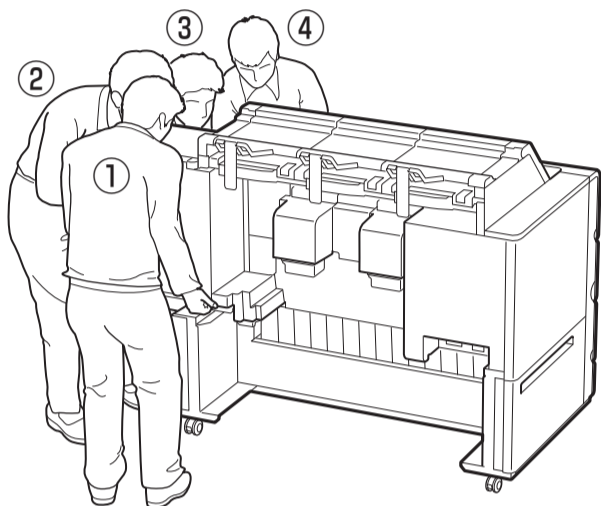
Cuidados de manuseio

⚠ Cuidado

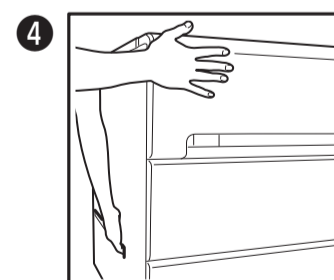
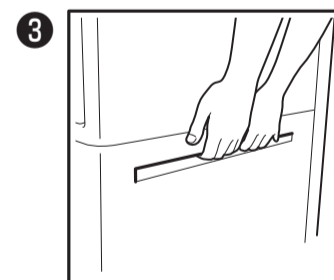
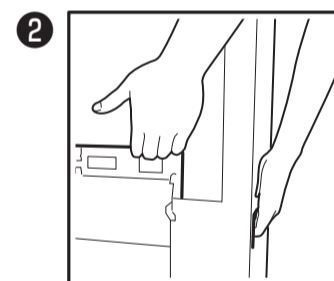
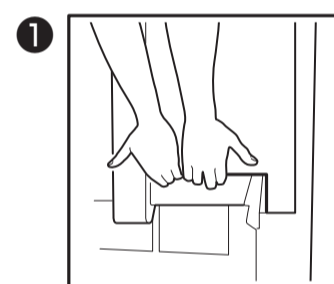
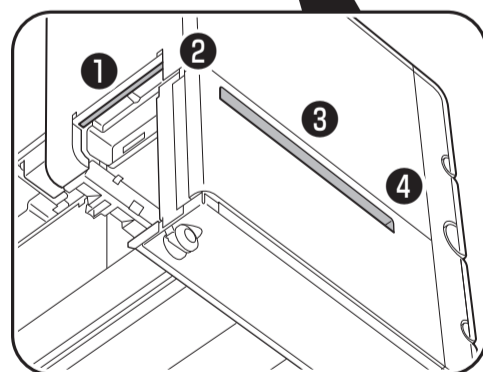
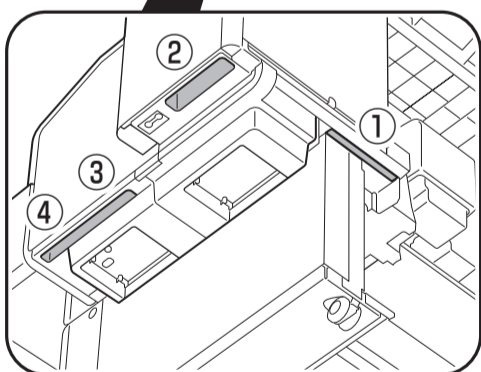
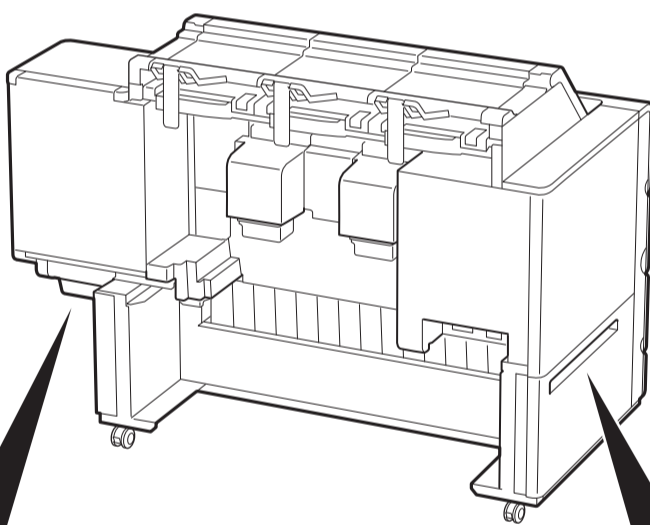
- Mova a impressora para o local de instalação e comece a configuração.
- Ao mover a impressora, verifique se todas as tampas e bandejas da impressora estão fechadas.

⚠ Ao levantar a impressora

- Para levantar a impressora, 4 pessoas, uma de cada lado, devem segurar firmemente as alças de carregamento (a área mostrada sombreada no diagrama). Segurar qualquer outra área pode danificar a impressora. Tenha cuidado ao manusear a impressora, pois ela é muito pesada.



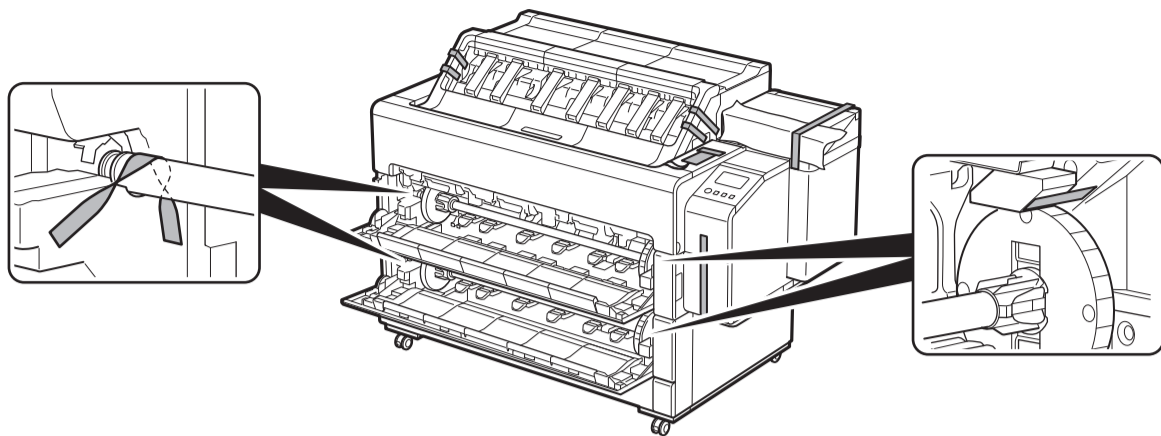
Segure gentilmente a superfície dianteira com a mão esquerda.



Segure gentilmente a superfície dianteira com a mão direita.

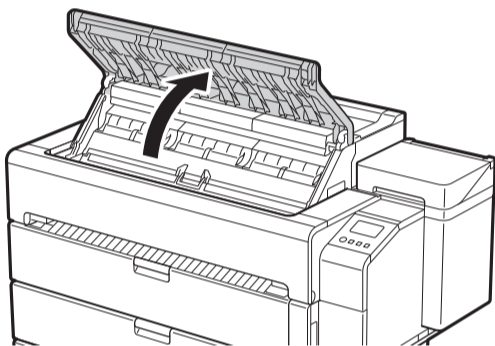
1 Remoção da embalagem

Remova a fita e outros materiais de embalagem. Remova a fita do suporte do rolo.

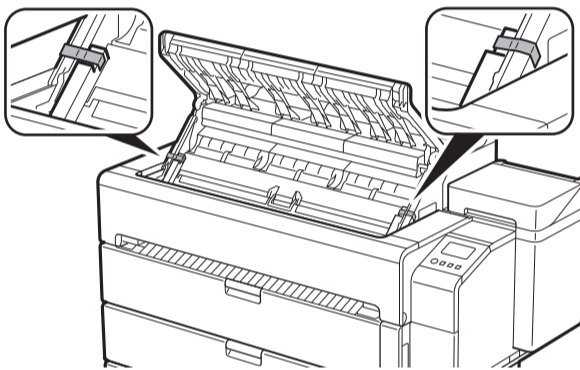


2 Ligar a impressora

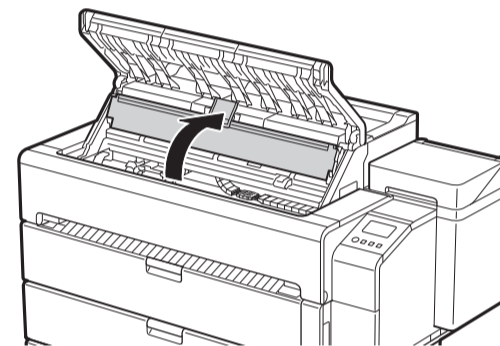
1 Abra a tampa superior.



2 Remova a fita e o material de amortecimento afixados na tampa interna.

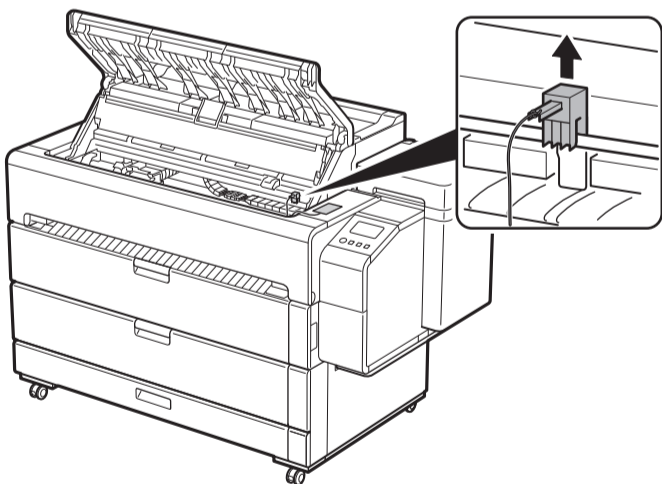


3 Abra a tampa interna.



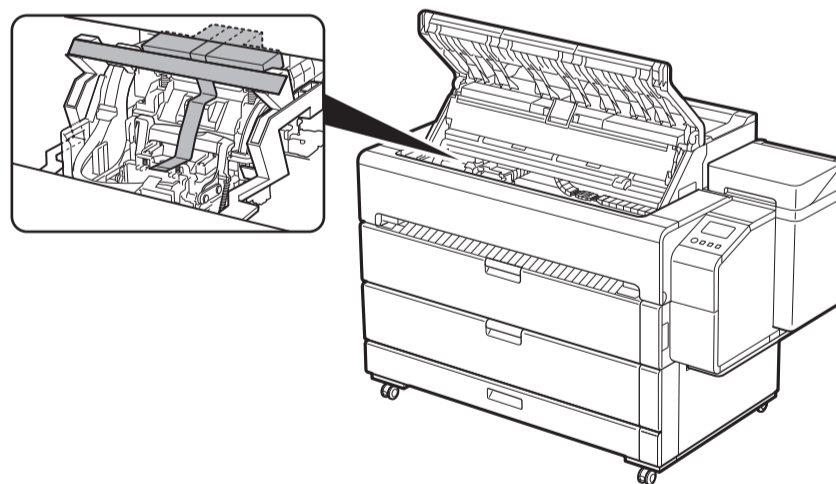
4 Puxe para cima e remova o fixador da faixa.

- Guarde o fixador da faixa para uso futuro. Você o utilizará caso mover a impressora para outro local.



5 Remova a fita.

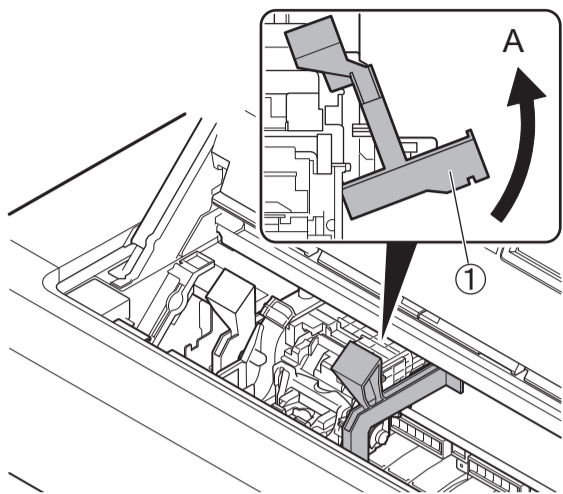
- Retire a fita colada no carro e remova o material de amortecimento.



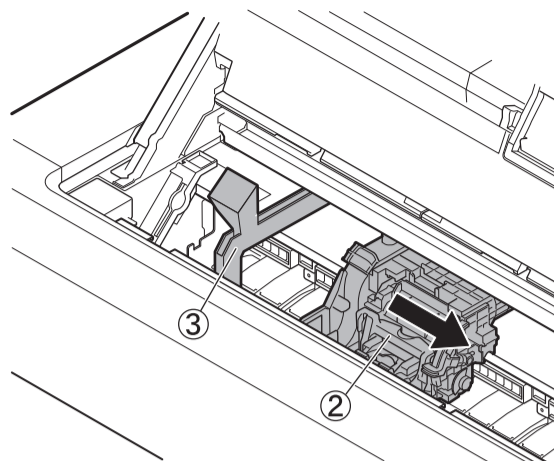
Nota

- O fixador da faixa pode ser armazenado na gaveta de acessório. (P.15)

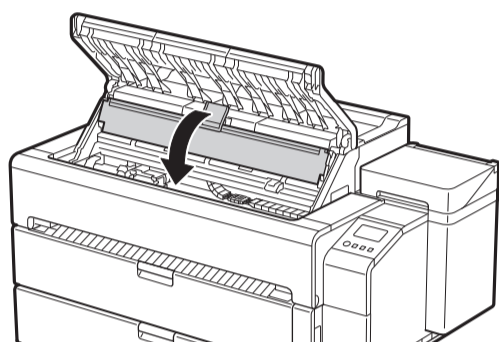
6 Gire o material de proteção ① na direção A para removê-lo.



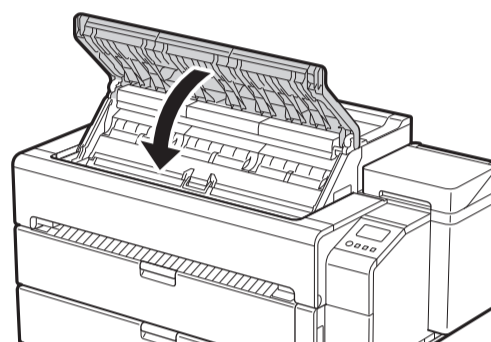
7 Mova o carro ② na direção da seta e remova o material de proteção ③.



8 Feche a tampa interna.

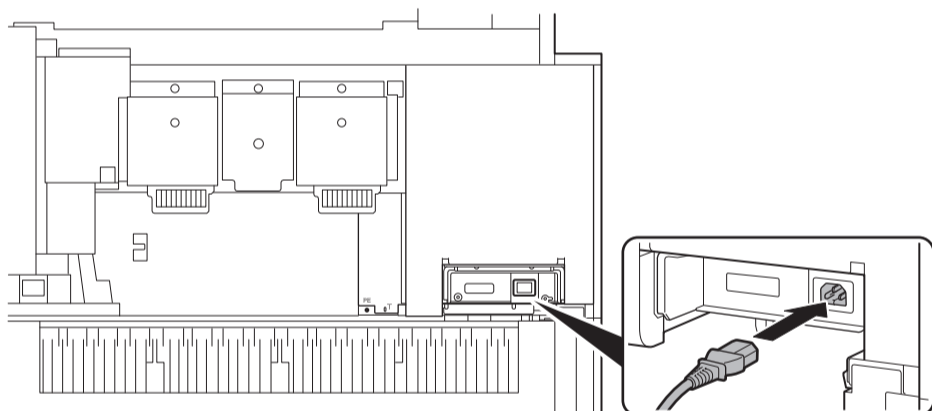


9 Feche a tampa superior.

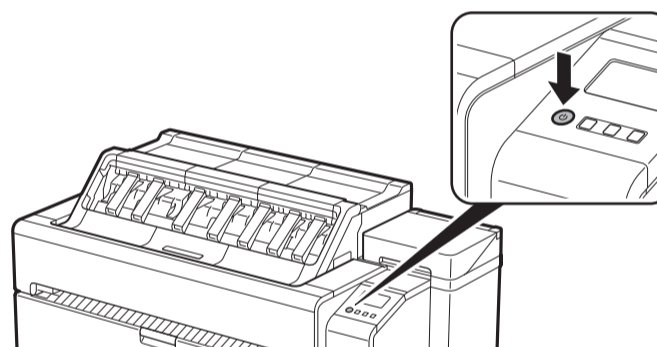


10 Conecte o cabo de alimentação à impressora.

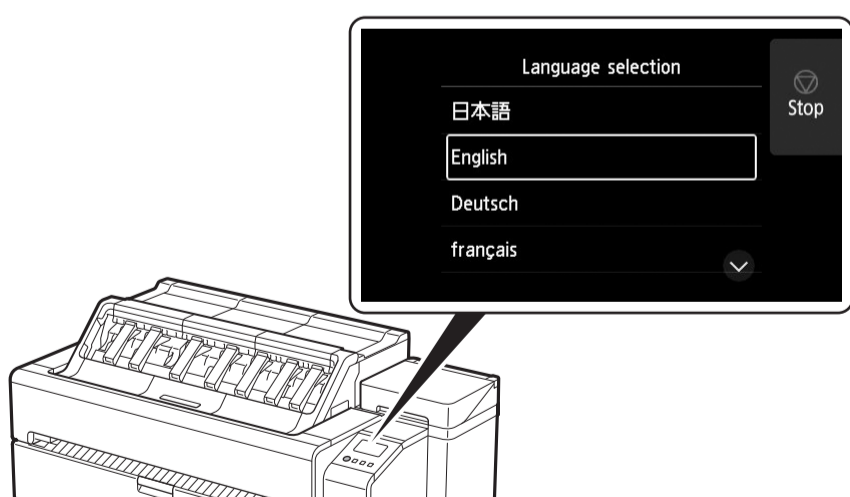
- Insira o cabo de alimentação no conector de alimentação, localizado na parte traseira da impressora.



11 Conecte o cabo de alimentação à tomada e ligue a impressora.



12 Quando aparecer a tela de seleção do idioma na tela sensível ao toque, selecione e toque gentilmente em um idioma com seu dedo. Então, se aparecer a tela para seleção do fuso horário, selecione e toque em sua região.



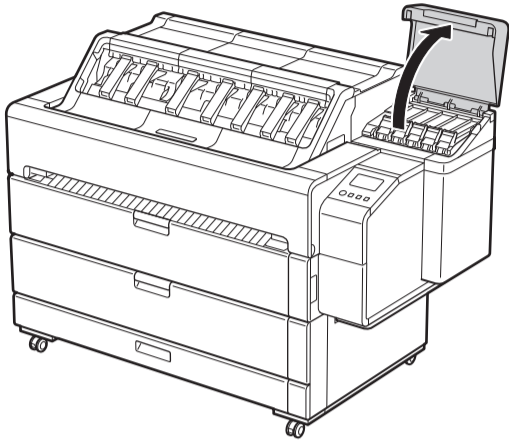
13 Quando aparecer uma mensagem solicitando você a iniciar a configuração na tela sensível ao toque, pressione OK.



3 Instalação dos cartuchos de tinta

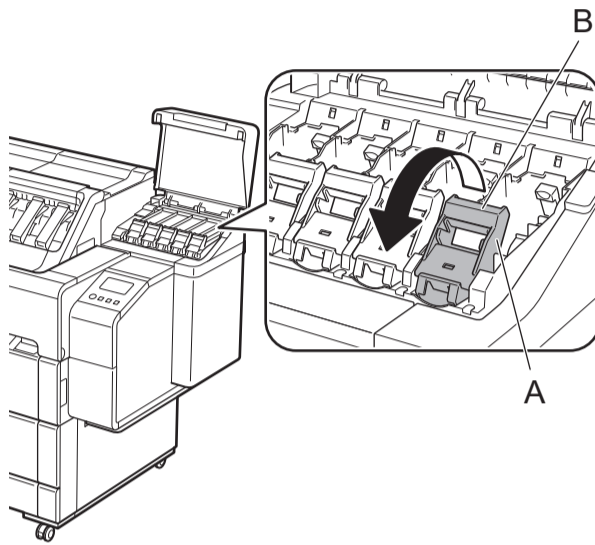
As Instruções para a instalação do cartucho de tinta são mostradas na tela sensível ao toque. Instale os cartuchos de tinta conforme a instrução. Se o cartucho de tinta estiver frio, permita que atinja a temperatura ambiente antes de conectá-lo à impressora.

1 Abra a tampa do cartucho de tinta.

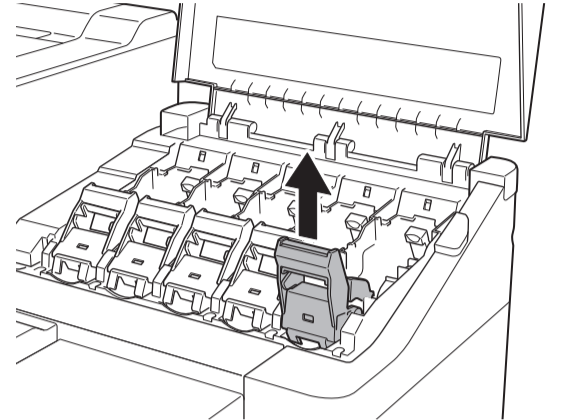


2 Solte a alavanca de bloqueio do cartucho de tinta respectiva à cor que estiver instalando.

- Enquanto pressiona o botão na posição (B), levante a peça da alça (A) em direção a si.

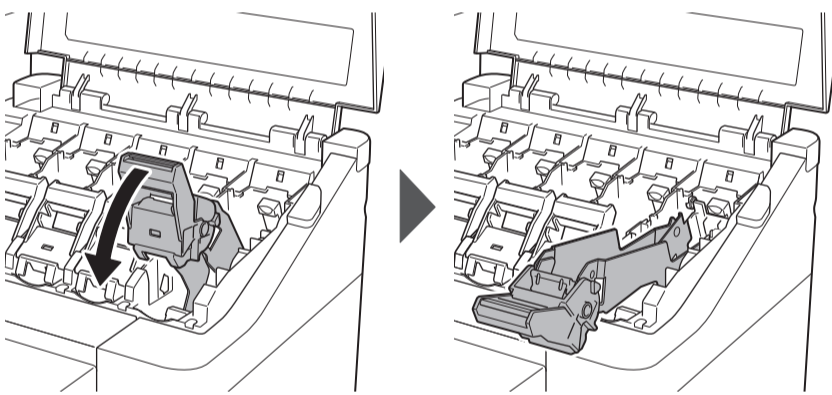


3 Quando estiver neste estado, puxe a alavanca de bloqueio do cartucho de tinta para cima.

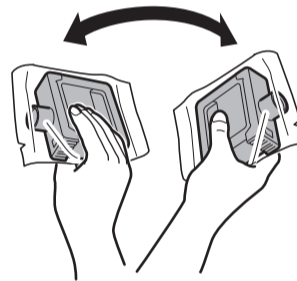


4 Continue puxando até que a alavanca de bloqueio do cartucho de tinta inteira esteja inclinada em sua direção.

- Certifique-se de que a alavanca de bloqueio do cartucho de tinta permaneça nesta posição.



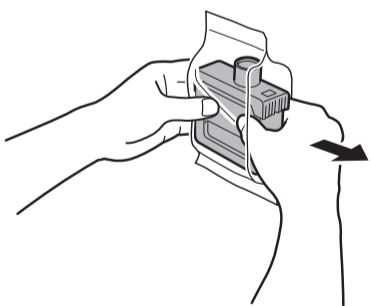
5 Agite gentilmente cada cartucho de tinta 7 ou 8 vezes antes de abrir o invólucro.



Importante

- Cartuchos de tinta não agitados previamente podem resultar em qualidade de impressão reduzida, pois os ingredientes da tinta se acumulam no fundo do cartucho.

6 Abra o compartimento e remova o cartucho de tinta.



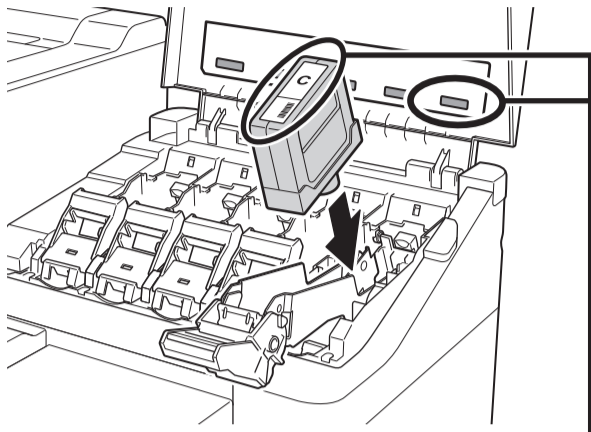
Importante

- Não encoste nos conectores de tinta ou nos contatos de metal (a área cinza do diagrama).
Tocar estas partes pode causar manchas, danificar o cartucho de tinta e afetar a qualidade de impressão.
- Evite derrubar o cartucho de tinta após removê-lo do compartimento.
Caso contrário, pode haver vazamento de tinta e causar manchas.
- Não remova os cartuchos de tinta para agitá-los após terem sido montados.
Isto pode causar derramamento de tinta.



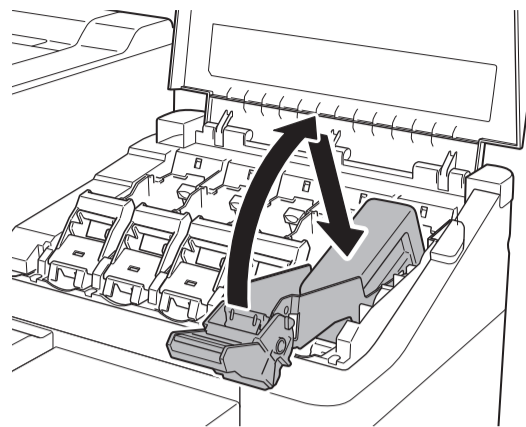
7 Verifique se a cor do cartucho de tinta é a mesma cor exibida no rótulo da impressora e insira o cartucho de tinta no suporte, respeitando a orientação exibida no diagrama.

- Ao inserir, certifique-se de que o rótulo do cartucho de tinta está voltando para cima e que o texto do rótulo não está de cabeça para baixo.

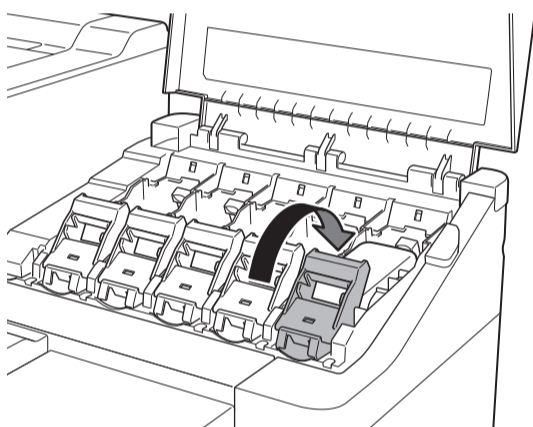


A cor do rótulo do cartucho de tinta deve corresponder à cor do rótulo da impressora

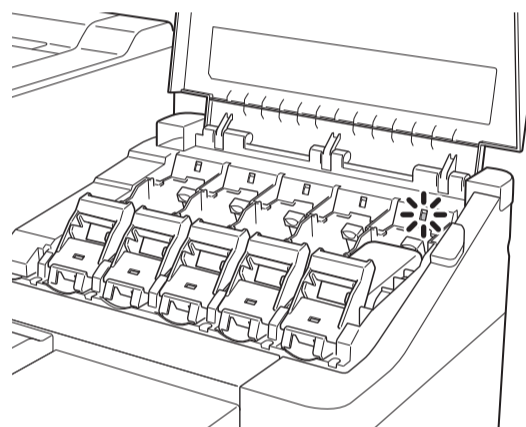
8 Levante a alavanca de bloqueio do cartucho de tinta uma vez e empurre-a para baixo.



9 Empurre firmemente para baixo a peça da alça da alavanca de bloqueio do cartucho de tinta de forma que entre totalmente.



10 Certifique-se que o indicador luminoso de tinta se acenda na cor vermelha.

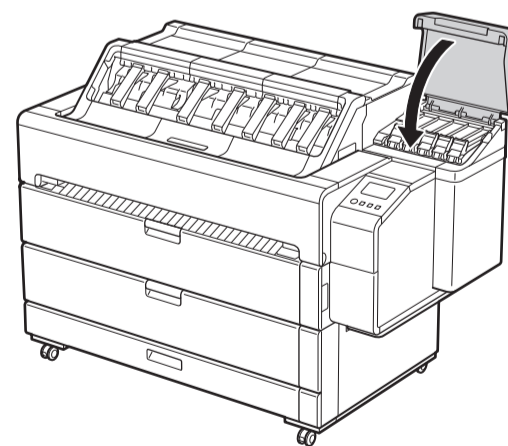


Importante

- Se o indicador luminoso de tinta não acender, repita as etapas 2 a 4 e 8 a 9.

11 Repita as etapas 2 a 10 para instalar cada um dos cartuchos de tinta.

12 Feche a tampa do cartucho de tinta. Quando aparecer a tela de confirmação da instalação do cartucho de tinta, toque em **OK**.

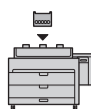


Importante

- Não abra a tampa superior ou a tampa interna. Pode ocorrer um erro. Se ocorrer um erro, desligue a alimentação, feche a tampa superior e a tampa interna e, em seguida, ligue a alimentação.

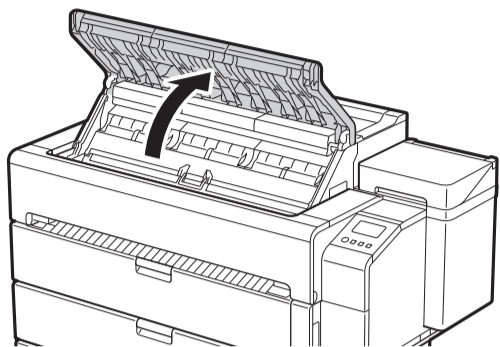
4

Instalação da cabeça de impressão



As Instruções sobre a instalação da cabeça de impressão agora são exibidas na tela sensível ao toque. Instale a cabeça de impressão seguindo as instruções.

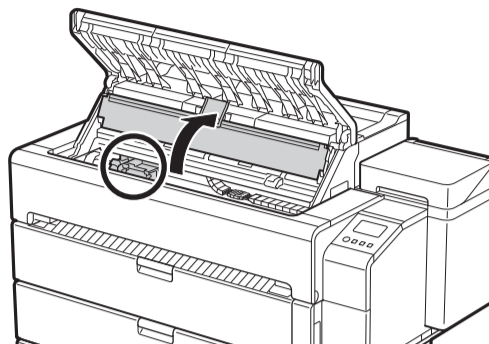
1 Quando **Abra a tampa superior. (Open the top cover.)** aparecer na tela sensível ao toque, abra a tampa superior.



👉 Importante

- Se a tampa superior for aberta antes de aparecer **Abra a tampa superior. (Open the top cover.)** na tela sensível ao toque, pode ocorrer um erro. Se ocorrer um erro, desligue a alimentação, feche a tampa superior e ligue a alimentação.

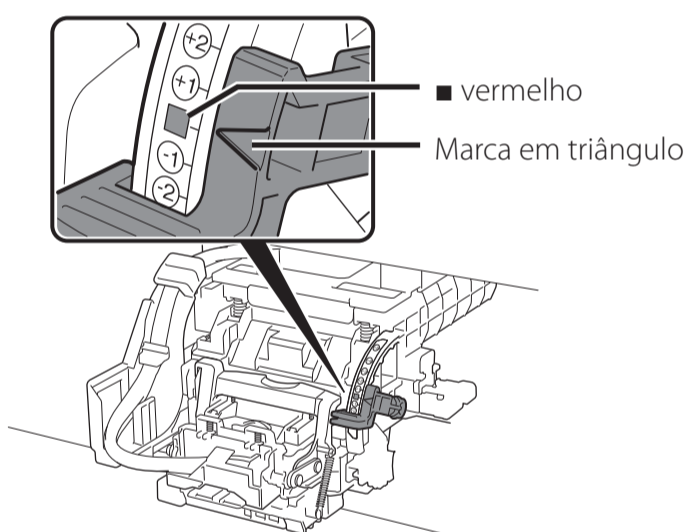
2 Abra a tampa interna.



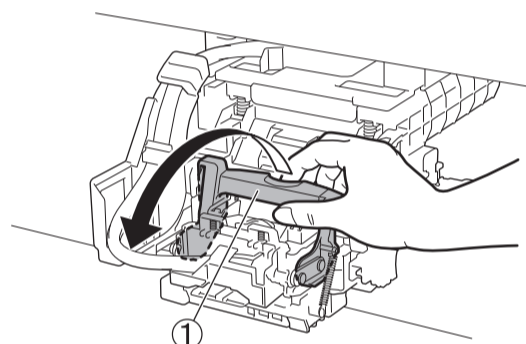
👉 Importante

- Não mova o carro (a área circulada no diagrama). Se você movê-lo acidentalmente, feche temporariamente a tampa interna e a tampa superior e ele retornará à sua posição original.

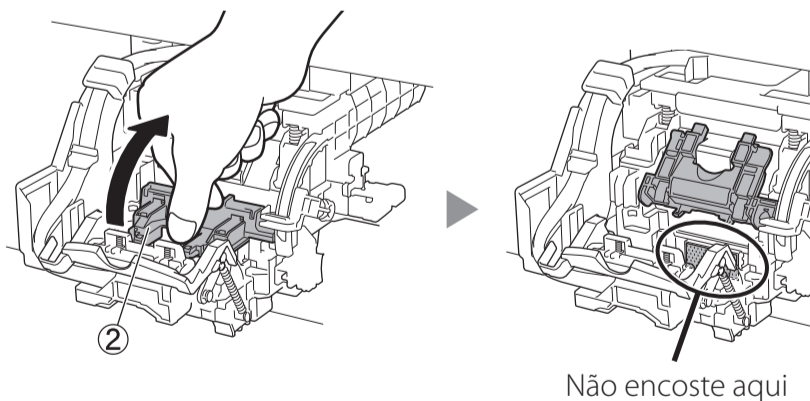
3 Verifique se a marca em triângulo na alavanca de ajuste de ângulo está alinhada com o ■ vermelho. Se eles não estiverem alinhados, mova a alavanca de ajuste de ângulo para cima ou para baixo para alinhá-la com o ■.



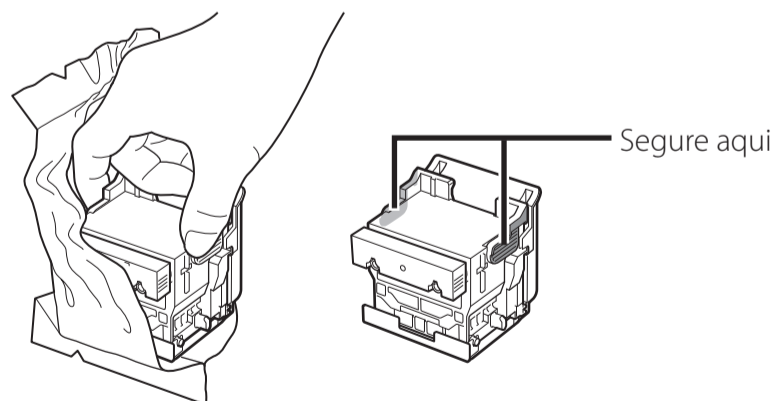
4 Incline a alavanca de bloqueio da cabeça de impressão ① em direção a si.



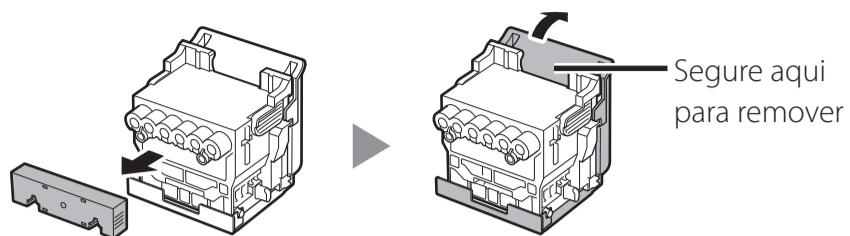
5 Abra a tampa de fixação da cabeça de impressão ② seguindo as instruções na tela e toque em **OK**. Não encoste nos contatos elétricos do carro.



6 Segure a cabeça de impressão conforme exibido no diagrama e remova-a da embalagem.

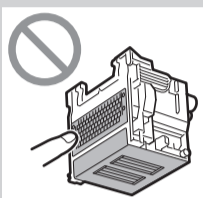
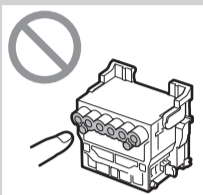


7 Remova as tampas de proteção laranja na ordem mostrada no diagrama.



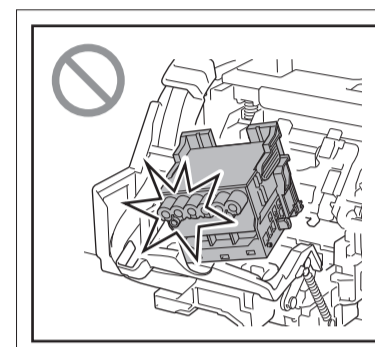
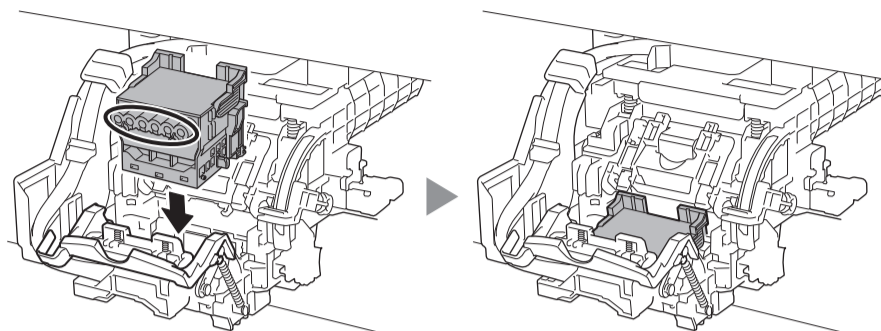
Importante

- Não encoste na parte que estava sendo protegida pela tampa de proteção (parte sombreada no diagrama) em circunstância alguma. Tocá-la pode causar danos severos à cabeça de impressão ou resultar em problemas de impressão.
- A cabeça de impressão é abastecida com tinta. Tome cuidado para evitar sujar suas roupas e itens em volta durante a remoção das tampas de proteção. Recomenda-se remover as tampas de proteção sobre a embalagem que continha a cabeça de impressão.
- Não recoloque as tampas de proteção após removê-las. Descarte estes materiais de acordo com a legislação local.

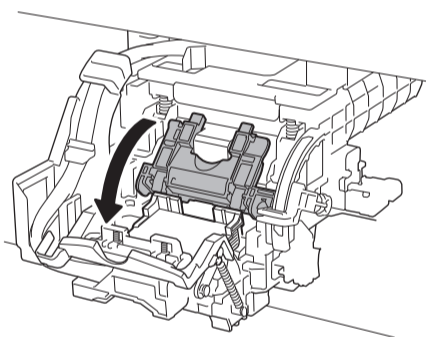


8 Instalar a cabeça de impressão.

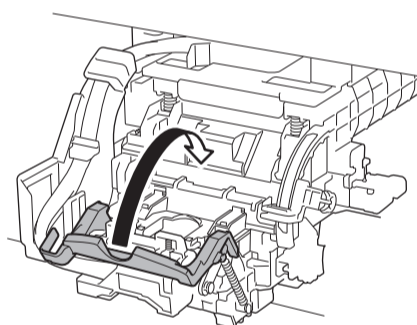
- Alinhe a cabeça de impressão para que a área circulada no diagrama esteja voltada em sua direção e, com cuidado, empurre a cabeça de impressão firmemente para dentro da impressora, certificando-se de que a peça coberta pelas tampas de proteção não entre em contato com o carro.



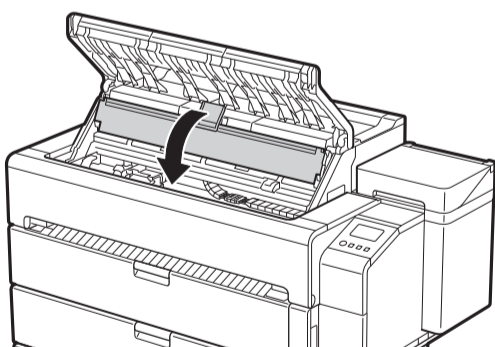
9 Puxe a tampa de fixação da cabeça de impressão para baixo, em direção a você, para travar a cabeça de impressão no lugar.



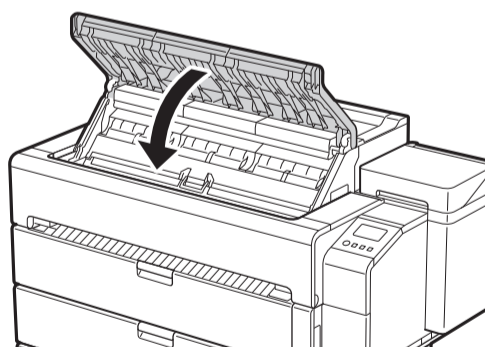
10 Empurre a alavanca de bloqueio da cabeça de impressão até o fim.



11 Feche a tampa interna.



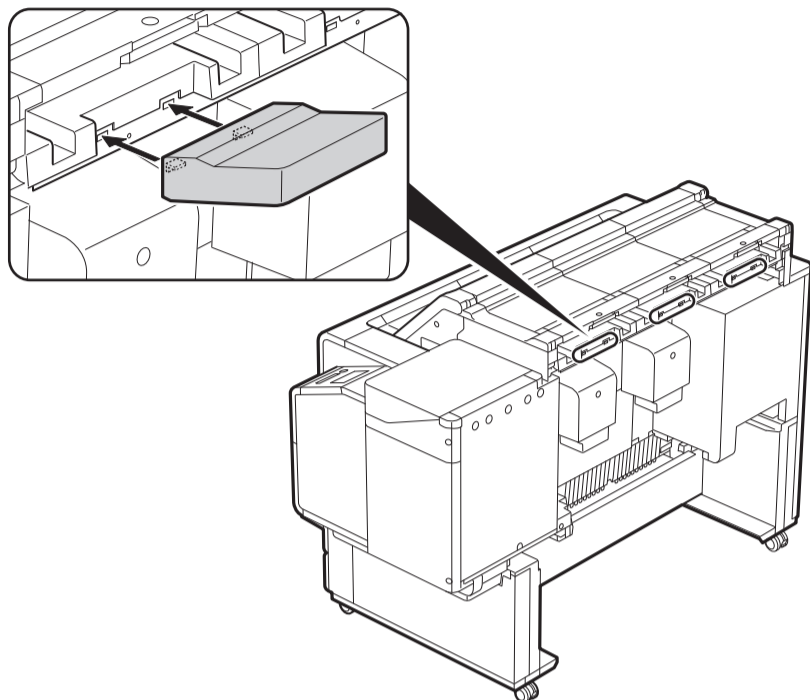
12 Feche a tampa superior.



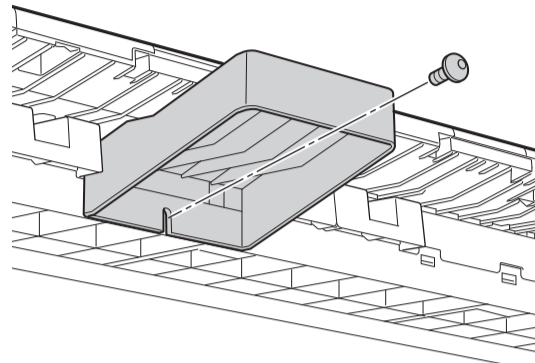
5 Instalação dos suportes de saída do papel e guias de saída na parte superior

5-1 Instalação dos suportes de saída do papel

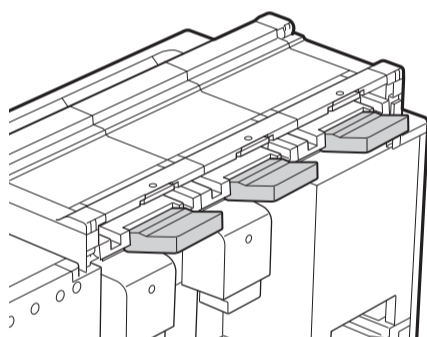
1 Conecte os suportes de saída do papel à impressora.



2 Fixe com os parafusos.

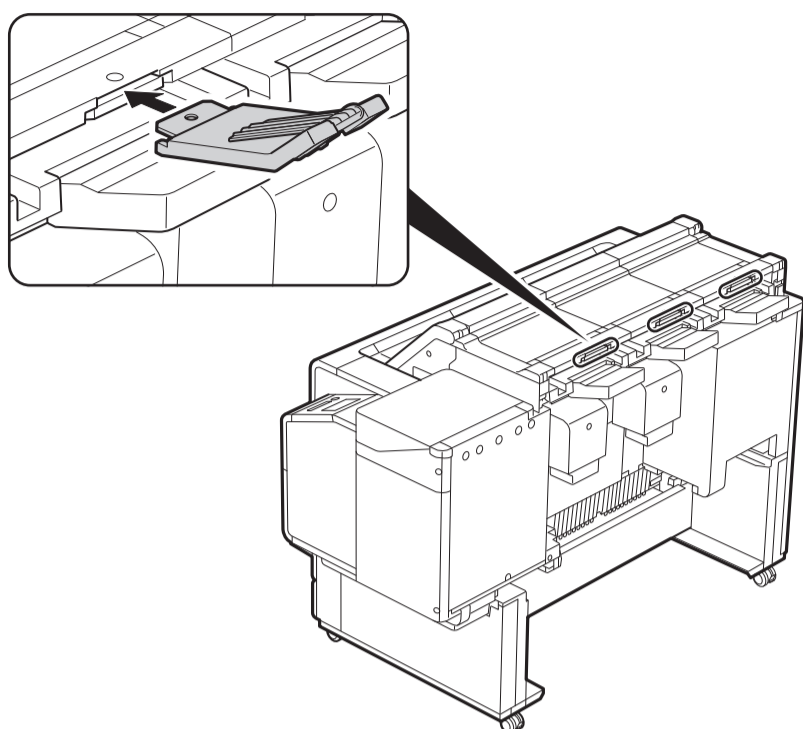


3 Repita as etapas 1 a 2 para instalar cada um dos suportes de saída do papel.

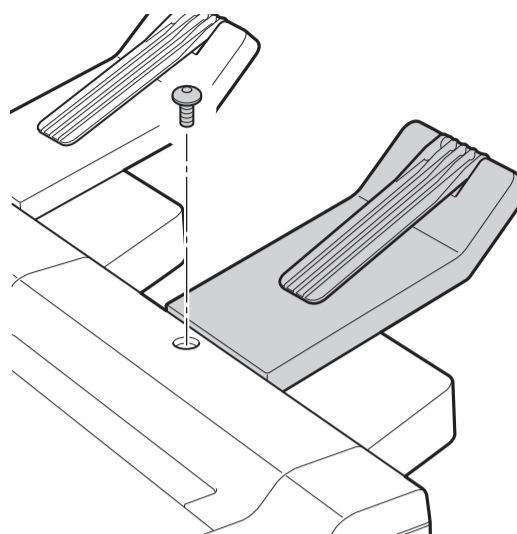


5-2 Instalação das guias de saída na parte superior

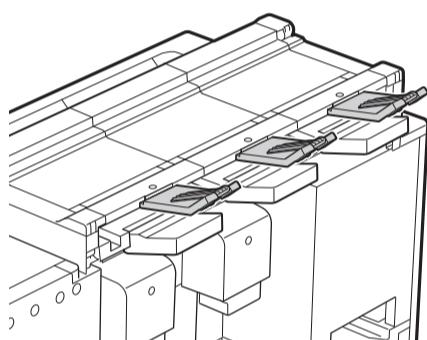
1 Anexe as guias de saída na parte superior à impressora.



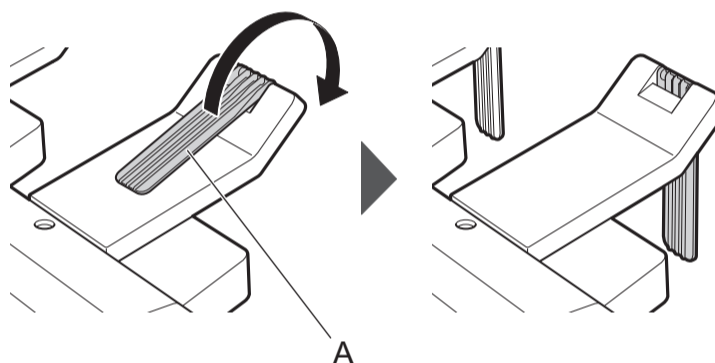
2 Fixe-a com os parafusos.



3 Repita as etapas 1 a 2 para instalar cada guia de saída na parte superior.

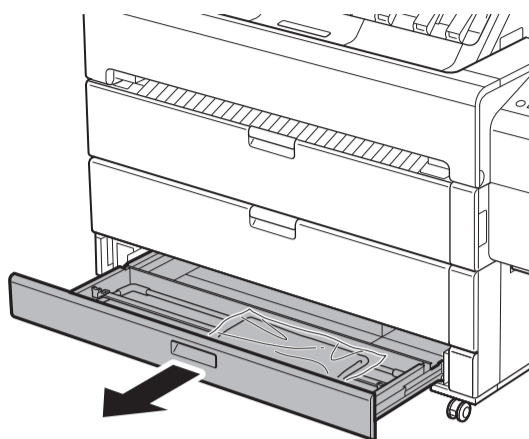


4 Abra (A) na direção da seta.

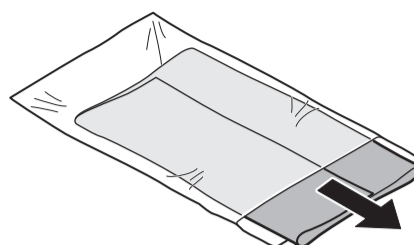


6 Preparação da cesta

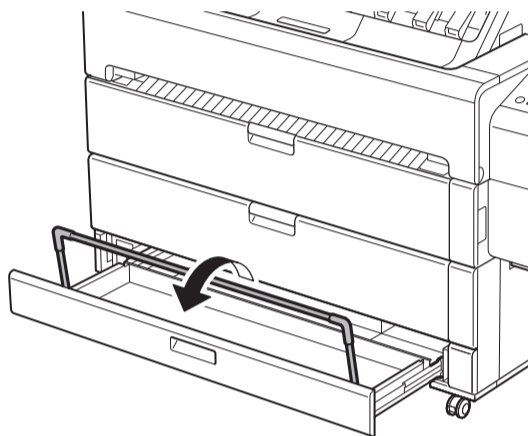
1 Abra a gaveta de acessório.



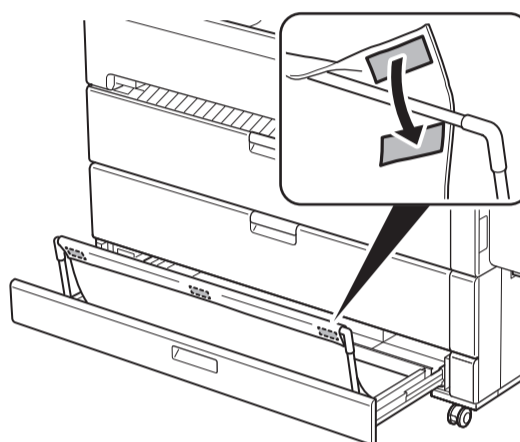
2 Remova o tecido da cesta da embalagem.



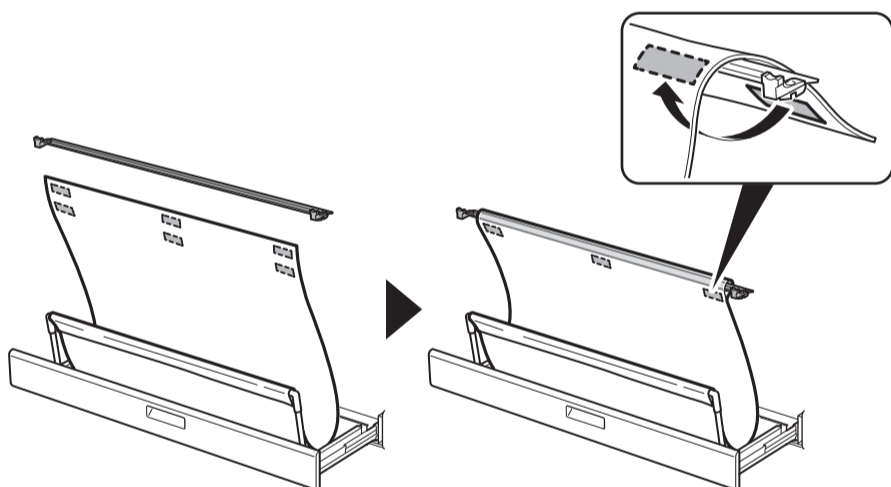
3 Levante os braços da cesta.



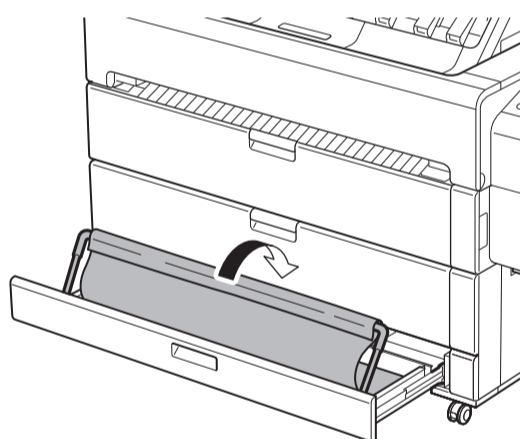
4 Fixe o tecido da cesta no braço da cesta em 3 locais.



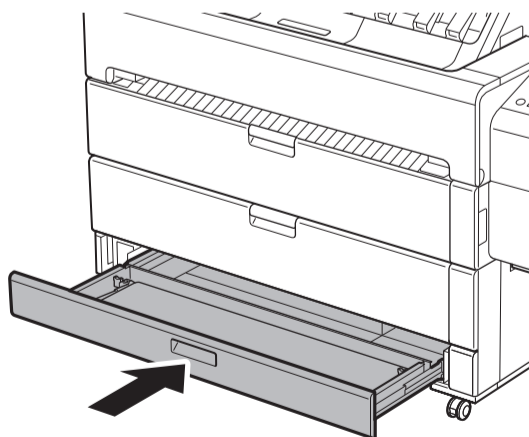
5 Fixe o tecido da cesta na barra de bloqueio da cesta em 3 locais.



6 Dobre o braço da cesta para baixo para guardar o tecido da cesta na gaveta de acessório.



7 Feche a gaveta de acessório.



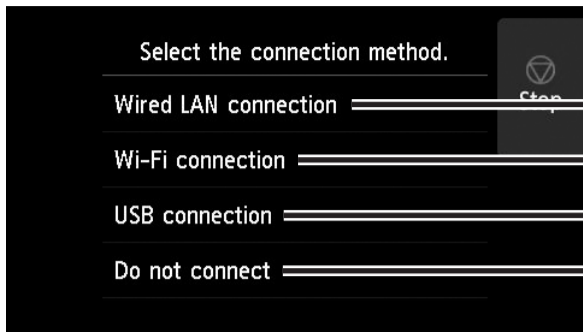
 Nota

- Consulte o Guia rápido para obter detalhes sobre como usar a cesta.

7 Seleção do método de conexão ao seu computador



Quando algo similar à imagem a seguir for exibido na tela sensível ao toque, toque no método de conexão.



Conectar a impressora a uma rede usando um cabo LAN.

Conectar a impressora a uma rede sem fio.

Conectar a impressora a um computador usando um cabo USB.

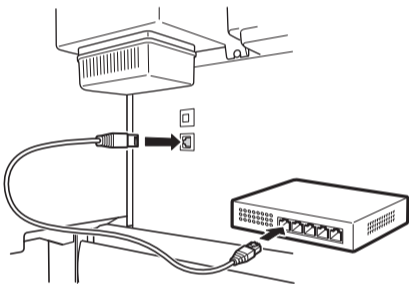
Selecionar essa opção quando conectar usando um endereço IP ou similar. As configurações de conexão e a instalação do software precisarão ser realizadas separadamente. Inicie as configurações a partir da tela sensível ao toque da impressora.

Conexão LAN com fio (Wired LAN connection)

- 1 Selecione **Conexão LAN com fio (Wired LAN connection)**. Verifique a mensagem sobre o método de conexão e selecione **Sim (Yes)** se não houver problemas.

- Aparece uma mensagem solicitando que você conecte o cabo LAN.

- 2 Use o cabo LAN para conectar o conector da LAN com fio, localizado na parte traseira da impressora, à porta hub.



- 3 Selecione **OK** e prossiga para "Instalação do software no seu computador" (p. 14).

Conexão Wi-Fi (Wi-Fi connection)

- 1 Selecione **Conexão Wi-Fi (Wi-Fi connection)**. Verifique a mensagem sobre o método de conexão e selecione **Sim (Yes)** se não houver problemas.

- Aparece uma mensagem solicitando que você configure a Conexão Wi-Fi (Wi-Fi connection).

- 2 Selecione **Sim (Yes)** e prossiga para "Instalação do software no seu computador" (p. 14).

- Para definir as configurações a partir da impressora, selecione **Não (No)** e prossiga para "Definição das configurações de Wi-Fi na tela sensível ao toque da impressora" (coluna abaixo).

Conexão USB (USB connection)

- 1 Selecione **Conexão USB (USB connection)**. Verifique a mensagem sobre o método de conexão e selecione **Sim (Yes)** se não houver problemas.

- Não conecte o cabo USB ainda.

- 2 Selecione **OK** e prossiga para "Instalação do software no seu computador" (p. 14).

Importante

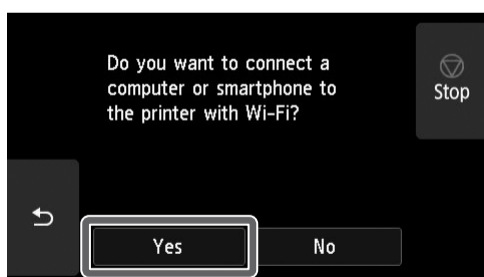
- A impressora começa a carregar a tinta pela primeira vez* e executa o ajuste da cabeça de impressão. Este processo dura cerca de 25 minutos. Não abra as tampas da impressora ou desligue a alimentação neste período.

* Carrega a tinta entre o cartucho de tinta e a cabeça de impressão, e realiza a limpeza para manter a impressora nas condições ideais. Isso poderá fazer com que o indicador de tinta restante e o indicador de capacidade do cartucho de manutenção diminuam a quantidade exibida. Como os cartuchos de tinta incluídos são para a instalação inicial, é recomendável comprar cartuchos de tinta de reposição rapidamente.

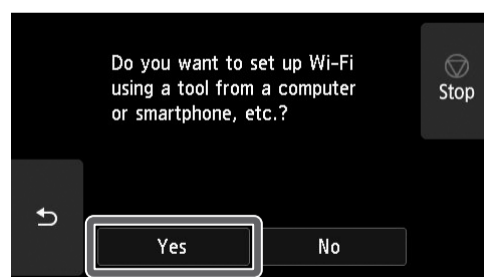
Definição das configurações de Wi-Fi na tela sensível ao toque da impressora

Para conexão Wi-Fi

- 1 Verifique se a tela a seguir aparece e toque em **Sim (Yes)**.

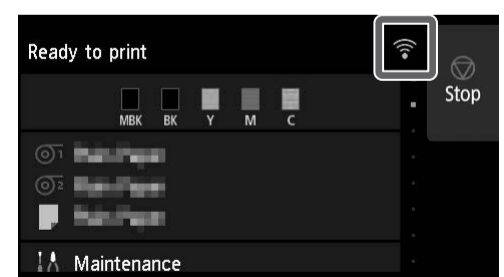


- 2 Verifique se a tela a seguir aparece e toque em **Sim (Yes)**.



- 3 Configure as definições seguindo as instruções na tela.

- Quando a tela inicial e (rede) aparecer, as configurações de Wi-Fi estão completas.



- 4 Prossiga para "Instalação do software no seu computador" (p. 14).

Nota

- Se as mensagens **Verificando o bocal (Checking the nozzle)**, **Preenchendo a cabeça de impressão com tinta... (Preparing the ink system)** ou **Limpando... (Cleaning...)** forem exibidas, as configurações iniciais da impressora não foram finalizadas. Espere até a tela acima aparecer.

8 Instalação do software no seu computador

As configurações de conexão à impressora e a instalação do software são realizadas usando um computador. Você pode fazer o download dos arquivos de configuração no nosso site. Se estiver usando um PC Windows, também é possível executar o arquivo a partir do CD-ROM.

Download do site (Windows/macOS)

- 1 Acesse o site da Canon no seu computador.
<https://ij.start.canon/TZ-30000>
- 2 Clique em **Download** para fazer o download do arquivo de configuração e execute o arquivo.
 - Se aparecer uma tela de aviso sobre o download, selecione **Não bloquear (Do not block)**, **Permitir (Allow)**, etc. e prossiga para a próxima etapa.

Click Download to start setup.

Follow the on-screen instructions to complete the setup.



Inicialização a partir do CD-ROM fornecido (Windows)

■ Se estiver usando o Windows 10 ou Windows 8.1




- 1 Insira o CD-ROM de instalação no computador.



- 2 Clique na mensagem popup do drive de disco e clique em **Executar Msetup4.exe (Run Msetup4.exe)** na tela exibida.

Nota

Se a mensagem não aparecer (ou se desaparecer)

- ① Clique em  ou em  **Explorador de Arquivos (File Explorer)** na barra de tarefas.
- ② Clique em **Este PC (This PC)** no lado esquerdo da janela que abre.
- ③ Clique duas vezes no ícone  CD-ROM no lado direito da janela.
- ④ Quando o conteúdo do CD-ROM aparecer, clique duas vezes em **Msetup4.exe**.

- 3 Se aparecer a caixa de diálogo **Controle de Conta de Usuário (User Account Control)**, clique em **Sim (Yes)** e prossiga para a próxima etapa.

■ Se estiver usando o Windows 7


- 1 Insira o CD-ROM de instalação no computador.



- 2 Quando aparecer a tela **Reprodução Automática (AutoPlay)**, clique em **Executar Msetup4.exe (Run Msetup4.exe)**.

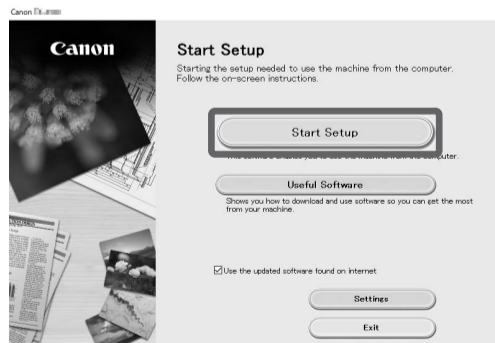
Nota

Se a tela **Reprodução Automática (AutoPlay)** não aparecer

- ① Clique em **Computador** no menu Iniciar.
- ② Clique duas vezes no ícone  CD-ROM no lado direito da janela que abrir.
- ③ Quando o conteúdo do CD-ROM aparecer, clique duas vezes em **Msetup4.exe**.

- 3 Se aparecer a caixa de diálogo **Controle de Conta de Usuário (User Account Control)**, clique em **Sim (Yes)** e prossiga para a próxima etapa.

- 4 Clique em **Iniciar configuração (Start Setup)**. Configure as definições seguindo as instruções na tela.



Nota

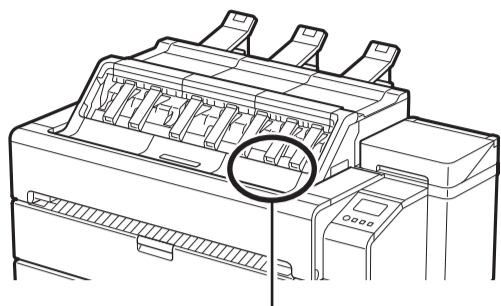
- A tela para seleção do método de conexão da impressora poderá ser exibida durante a configuração das definições. Caso isso aconteça, selecione o método selecionado na p. 13 e clique em **Avançar (Next)** e continue com as demais configurações.
- Conecte o cabo USB ao local adequado seguindo na tela.

Sobre a etiqueta de manuseio de papel

Uma etiqueta que descreve os métodos de manuseio do papel é incluída como um acessório.

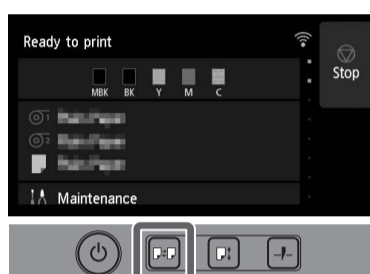
Cole-o no local mostrado no diagrama e consulte-a quando necessário.

Você também pode acessar vídeos usando o código QR na etiqueta.



Posição para colar a etiqueta

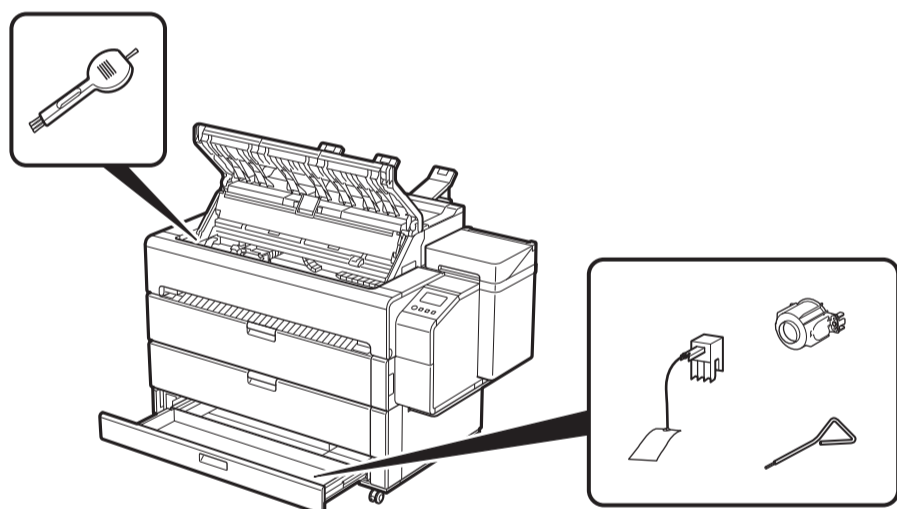
Carregamento do papel



1. Pressione (Carregar).
2. Selecione o papel.
3. Siga as instruções do na tela.

Armazenamento de acessórios

Ao abrir a tampa interna, uma escova de limpeza (para limpar o interior) é armazenada no lado esquerdo. A gaveta de acessório pode ser usada para armazenar acessórios, como anexos de núcleo de papel de 3 polegadas, fixadores de faixa e chaves Allen.



Impressão de um smartphone ou tablet

O software aplicativo "Canon PRINT Inkjet/SELPHY" possibilita a impressão fácil e sem fio de fotos armazenadas no seu smartphone ou tablet (com sistema operacional iOS ou Android).



iOS

Procure por "Canon Print" na App Store.

Android

Procure por "Canon Print" no Google Play.



Nota

- Você também pode baixar o aplicativo no site da Canon, que pode ser acessado a partir do código QR à direita.



Como exibir o Manual On-line

O Manual On-line descreve como usar a impressora. É possível acessá-lo no site da Canon, conforme exibido abaixo.

1 Acesse o site da Canon a partir de um dos métodos a seguir.

- Insira a URL

<https://ij.start.canon>

Selecione o número do modelo da impressora que você está usando.

- Digitalize o código QR



2 Selecione Ler o Manual On-line (Read Online Manual).

- Realize as operações restantes seguindo as instruções na tela para exibir o Manual On-line.

Marcas registradas

Windows é uma marca comercial ou marca comercial registrada da Microsoft Corporation nos EUA e/ou em outros países.

macOS e App Store são marcas comerciais da Apple Inc. registradas nos EUA e/ou em outros países.

iOS é uma marca comercial registrada ou marca comercial registrada da Cisco nos EUA e/ou em outros países e é utilizada sob licença.

Android é uma marca comercial ou marca comercial registrada da Google Inc.

Google Play e o logotipo do Google Play são marcas comerciais da Google LLC.

QR Code é uma marca comercial da DENSO WAVE INCORPORATED no Japão e/ou em outros países.

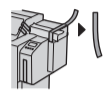
Responder a mensagens

Mensagens de erro podem aparecer na tela sensível ao toque do painel de controle durante a instalação da impressora. Elas nem sempre indicam um problema com a impressora, e a situação pode ser facilmente resolvida. As mensagens mais comuns e suas causas são listadas aqui com suas respectivas ações corretivas. Para obter detalhes sobre outras mensagens, consulte o Manual On-line.

Mensagem	Causa	Ação corretiva
O cartucho de tinta não está instalado. Instale-o adequadamente.	Não há nenhum cartucho de tinta carregado.	Instale ou reinstale o cartucho de tinta. (Consulte as etapas 1 a 12 na p. 6 e p. 7)
	O cartucho de tinta não está encaixado completamente.	
A cabeça de impressão não pode ser corretamente reconhecida. Abra a tampa superior e a tampa interna e instale a cabeça de impressão correta.	A cabeça de impressão não está instalada.	Instalar a cabeça de impressão. (Consulte as etapas 1 a 12 na p. 8 e p. 9)
	Há falha de contato elétrico na cabeça de impressão.	Remova a cabeça de impressão, certifique-se de que não há detritos aderidos aos contatos elétricos da cabeça de impressão e do carro e reinstale a cabeça de impressão.
Erro de hardware ECxx-xxxx (x representa uma letra ou um número) Ocorreu um erro da impressora. Desligue o dispositivo, aguarde alguns minutos e ligue novamente.	O fixador da faixa ou a fita dentro da tampa superior não foi removido.	Desligue a impressora, abra a tampa superior e remova a fita e o fixador da faixa; então, ligue a impressora. (Consulte as etapas 1 a 9 na p. 4 e p. 5)
	A tampa interna foi aberta durante o carregamento da tinta.	Desligue a alimentação, feche a tampa interna e a tampa superior, prepare os cartuchos de tinta de reposição e ligue a alimentação.
	Você pode ter encontrado um erro que não pode ser resolvido.	Desligue a impressora e aguarde pelo menos 3 segundos antes de restaurar a alimentação. Se a mensagem aparecer novamente, anote o código e a mensagem do erro, desligue a impressora e entre em contato com o seu revendedor Canon para obter ajuda.
Erro ECxx-xxxx (x representa uma letra ou número) Ocorreu um erro da impressora. Consulte o manual e contate o centro de assistência.	Você pode ter encontrado um erro que não pode ser resolvido.	Anote o código e a mensagem do erro, desligue a impressora e entre em contato com o seu revendedor Canon para obter ajuda.

Información general sobre la configuración

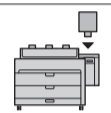
Configure la impresora de acuerdo con el siguiente procedimiento. Si apareciera un mensaje de error durante la configuración o se produjera algún otro problema, consulte "Respuesta a los mensajes" en la p. 16.



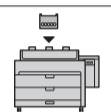
1 Retirada del material de embalaje Página 4



2 Encendido de la impresora Página 4



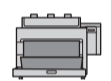
3 Instalación de los depósitos de tinta Página 6



4 Instalación del cabezal de impresión Página 8



5 Instalación de los soportes de la salida del papel y de las guías de salida superiores Página 10



6 Preparación de la cesta Página 12



7 Selección del método de conexión a su ordenador Página 13



8 Instalación del software en su ordenador Página 14

Acerca de la etiqueta de manipulación del papel Página 15

Carga del papel Página 15

Almacenamiento de accesorios Página 15

Impresión desde un teléfono inteligente o una tableta Página 15

Visualización del Manual en línea Página 15

Marcas comerciales Página 15

Respuesta a los mensajes Página 16

Espacio de instalación

Al instalar la impresora, se recomienda asegurarse de tener el espacio que se indica a continuación alrededor de la impresora.

Importante

- Este es el espacio cuando se utilicen soportes de la salida del papel y guías de salida superiores.
- El espacio requerido delante de la impresora diferirá en función de si se utiliza o no la cesta.

■ TZ-30000

Espacio requerido* (an. x pr. x al.)

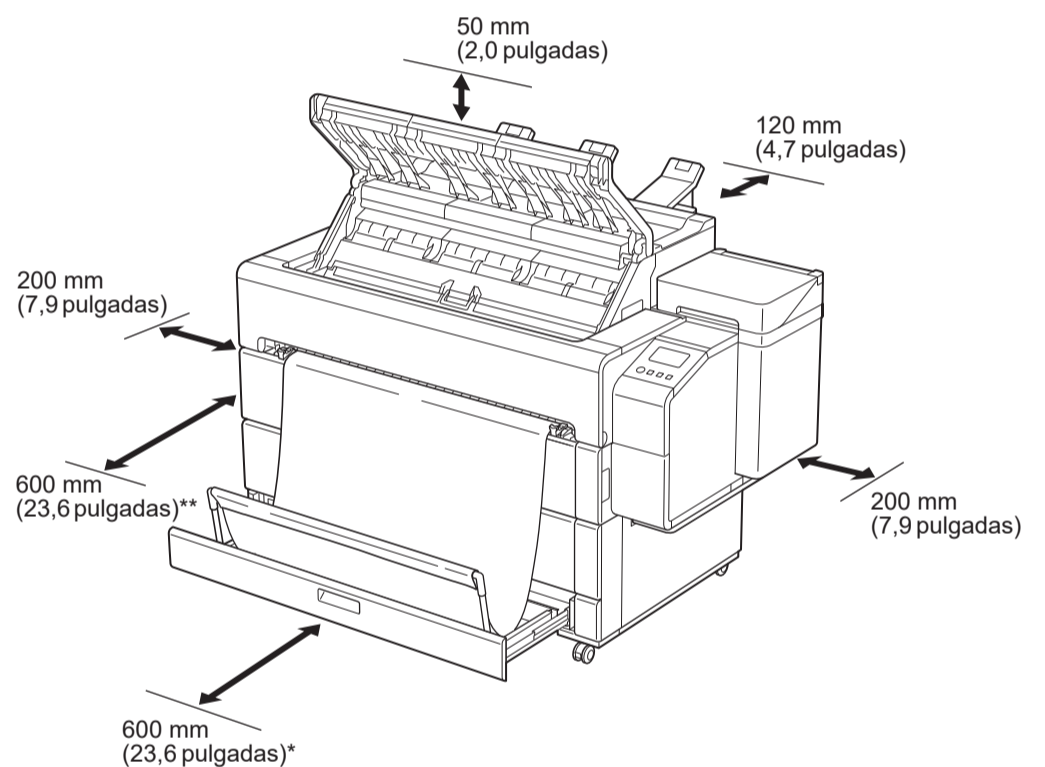
1.948 × 2.013 × 1.478 mm

76,7 × 79,3 × 58,2 pulgadas

Espacio requerido** (an. x pr. x al.)

1.948 × 1.680 × 1.478 mm

76,7 × 66,2 × 58,2 pulgadas



* Cuando se utilice la cesta

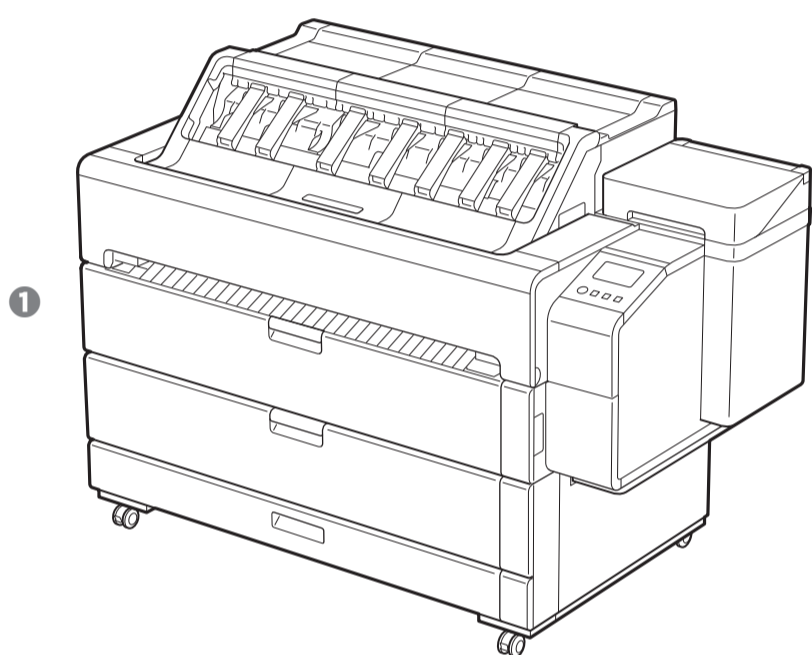
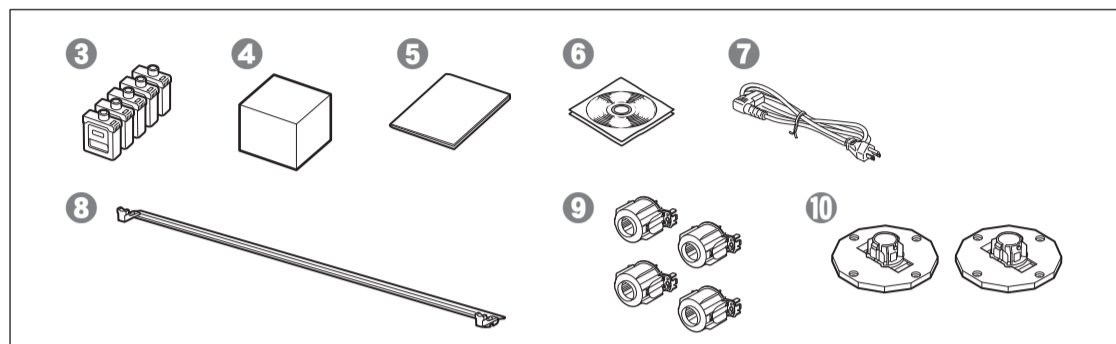
** Cuando la cesta esté almacenada

Contenido de la caja

Compruebe que la caja incluya los siguientes accesorios. Tenga en cuenta que no se suministra junto con la impresora un cable para conectar la impresora a un ordenador.

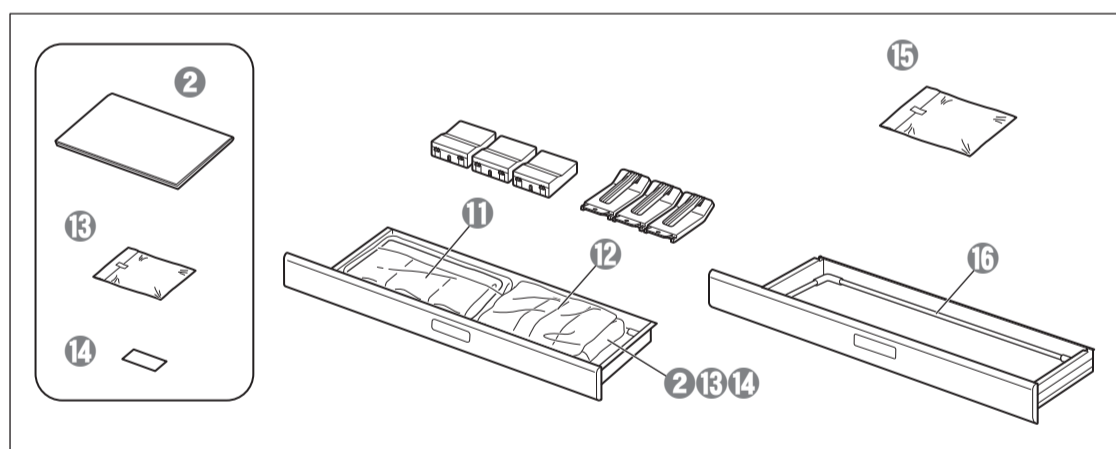
Nota

- Algunos de los accesorios incluidos no se describen en este manual. Guárdelos junto con los demás accesorios, ya que son necesarios para otras funciones.
- Para obtener instrucciones sobre el uso de elementos no descritos en este manual, consulte el Manual en línea siguiendo las instrucciones de "Visualización del Manual en línea" en la p. 15.



- 1 Impresora
- 2 Guía de configuración (este manual)
- 3 Depósitos de tinta (5 unidades)
- 4 Cabezal de impresión
- 5 Guía rápida
- 6 Juego de CD-ROMs
- 7 Cable de alimentación
- 8 Barra de soporte de la cesta
- 9 Sujeciones de tubo de papel de tres pulgadas (4 unidades)
- 10 Topes del soporte (2 unidades)*
- 11 Soportes de la salida del papel (3 unidades)
- 12 Guías de salida superiores (3 unidades)
- 13 Llave Allen y tornillos (6 unidades) para acoplar las guías de salida superiores y los soportes de la salida del papel
- 14 Etiqueta de manipulación del papel
- 15 Tela de la cesta
- 16 Brazo de la cesta

* Este se utiliza cuando se carga el rollo de papel. Para obtener detalles, consulte el Manual en línea.



Manuales incluidos con esta impresora

Guía de configuración (este manual)

Describe cómo configurar la impresora.

Guía rápida

Contiene información relacionada con advertencias para usar esta impresora de manera segura, así como información relacionada con la sustitución del papel, de los depósitos de tinta y del cabezal de impresión.

Manual en línea (manuales electrónicos)

Este manual describe el uso avanzado de la impresora, como pueden ser consejos para ahorrar papel, cómo imprimir un póster y un anuncio con el software suministrado y el método de ajuste de la calidad de impresión, además de las instrucciones básicas para imprimir en rollo de papel o en hojas cortadas. Para ver el Manual en línea, consulte "Visualización del Manual en línea" (p. 15).

Precauciones de manipulación

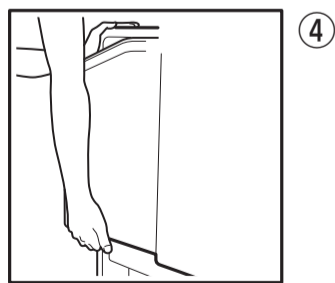
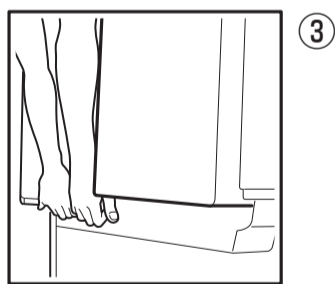
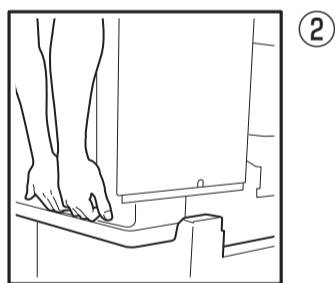
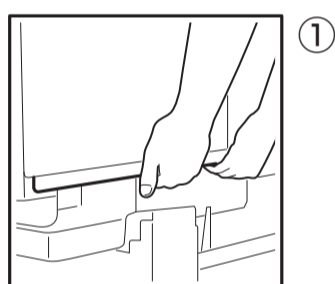
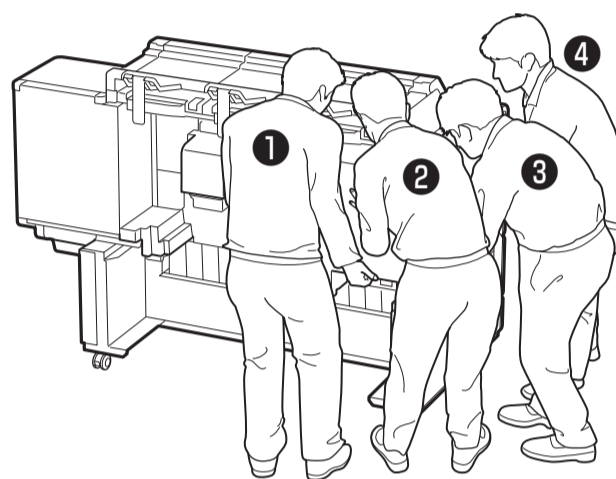
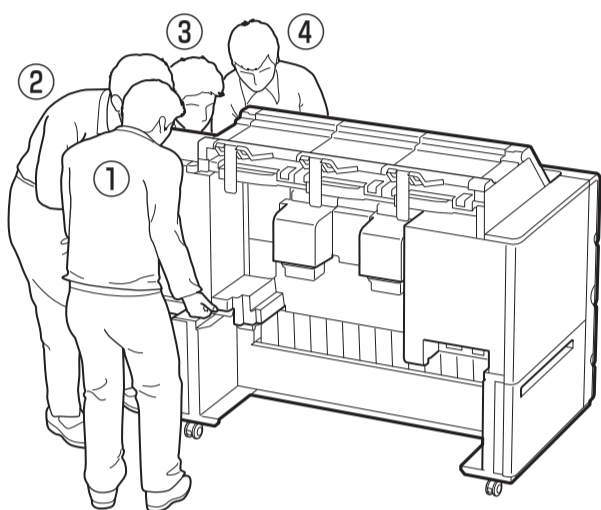
⚠ Precaución

- Desplace la impresora a la ubicación de instalación e inicie la configuración.
- Cuando traslade la impresora, compruebe que todas las cubiertas y bandejas de la misma estén cerradas antes de moverla.

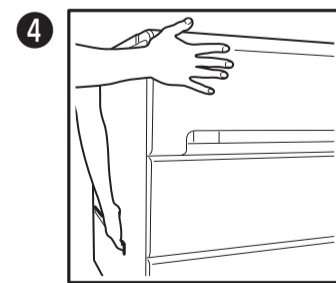
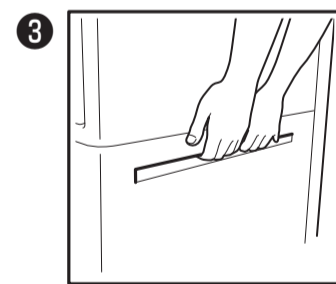
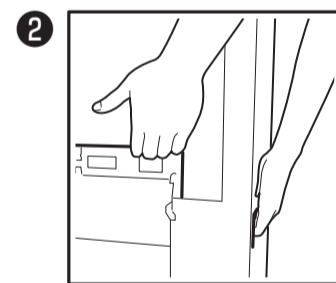
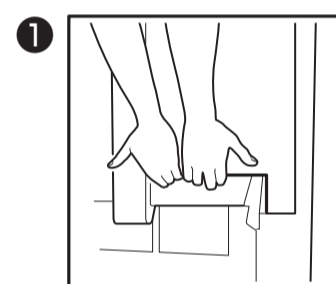
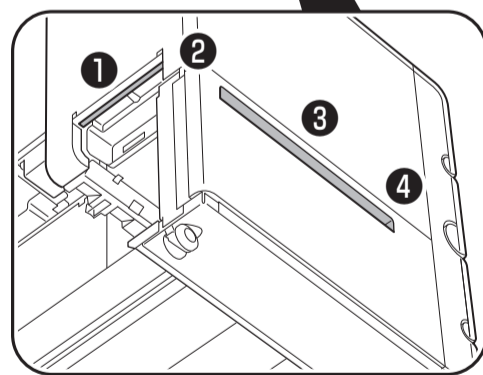
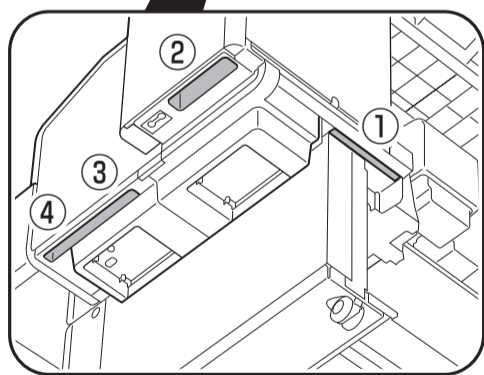
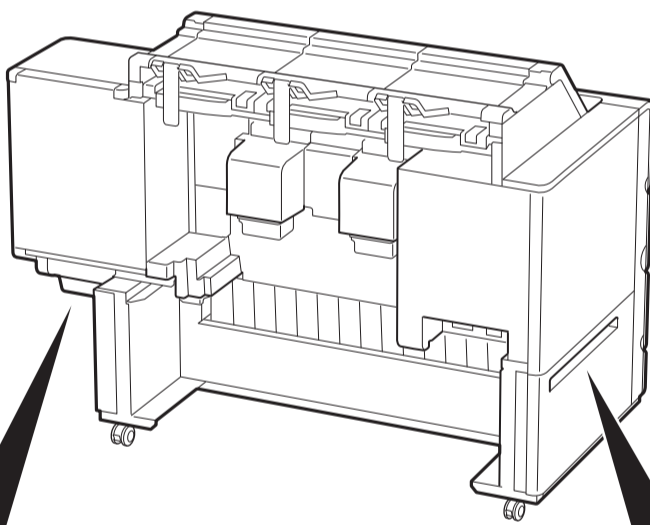
⚠ Cuando se levante la impresora

- Para levantar la impresora, disponga 4 personas en cada uno de los lados que agarren firmemente las asas de transporte (el área mostrada sombreada en el diagrama).

La sujeción por cualquier otro sitio podría dañar la impresora. Tenga cuidado al manipular la impresora, ya que es muy pesada.



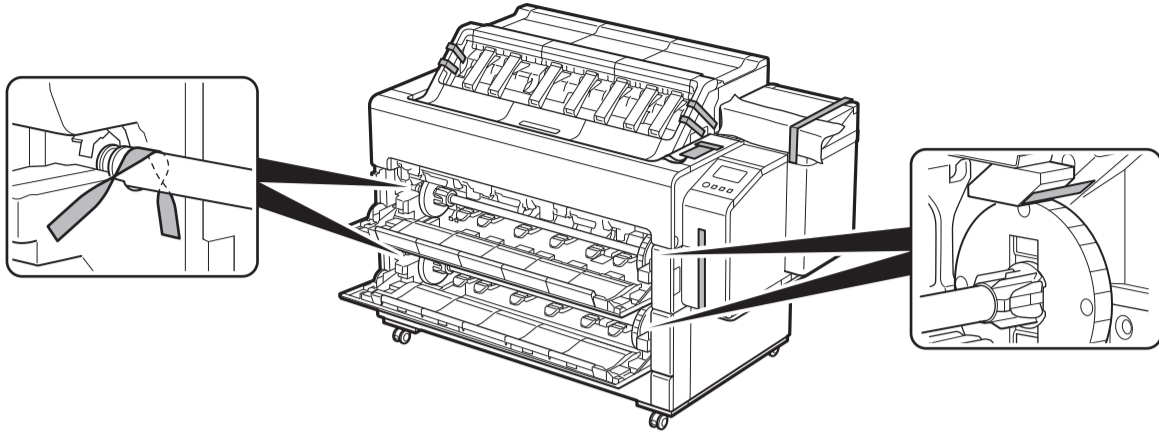
Sujete suavemente la parte delantera con su mano izquierda.



Sujete suavemente la parte delantera con su mano derecha.

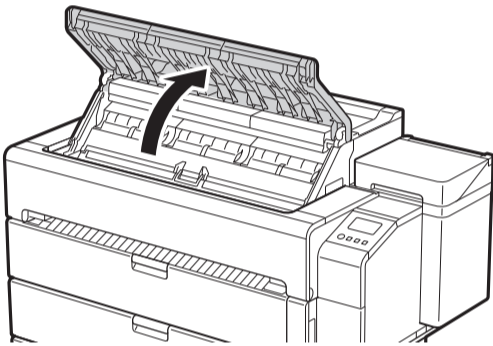
1 Retirada del material de embalaje

Retire la cinta y cualquier otro material de embalaje. Retire la cinta adherida al soporte del rollo.

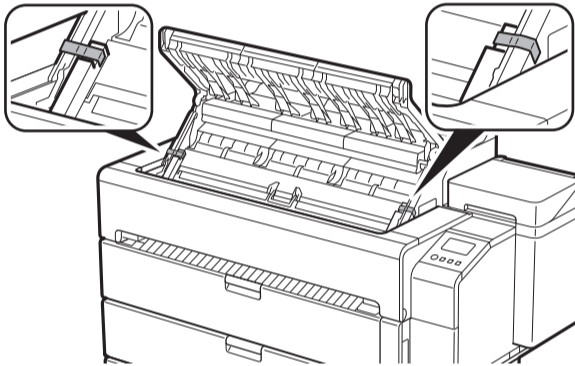


2 Encendido de la impresora

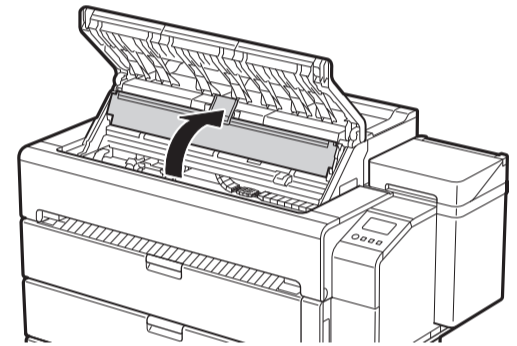
1 Abra la cubierta superior.



2 Retire la cinta y el material de amortiguación fijado a la cubierta interior.

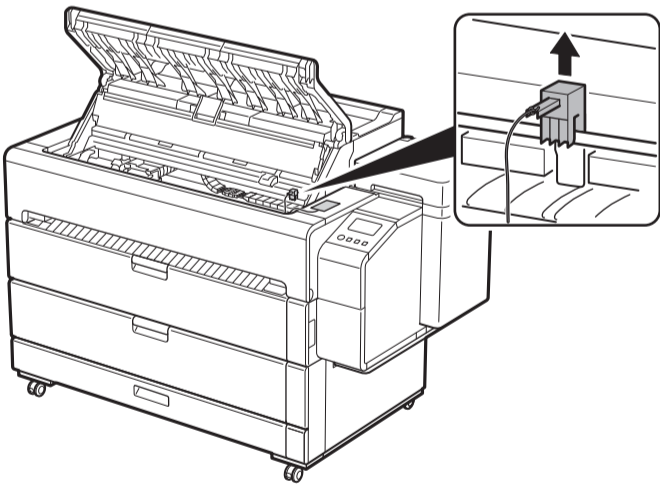


3 Abra la cubierta interior.



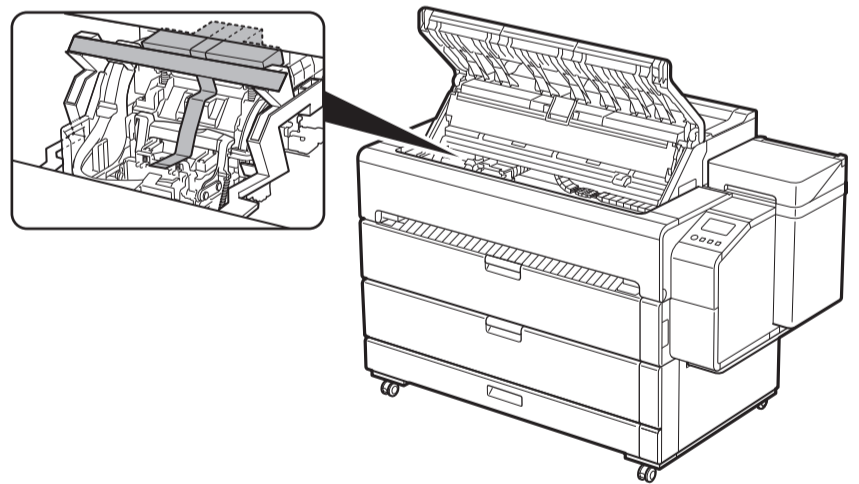
4 Levante y retire el tope de la correa.

- Guarde el tope de la correa para uso futuro. Lo necesitará en caso de que desplace la impresora a otra ubicación.



5 Retire la cinta.

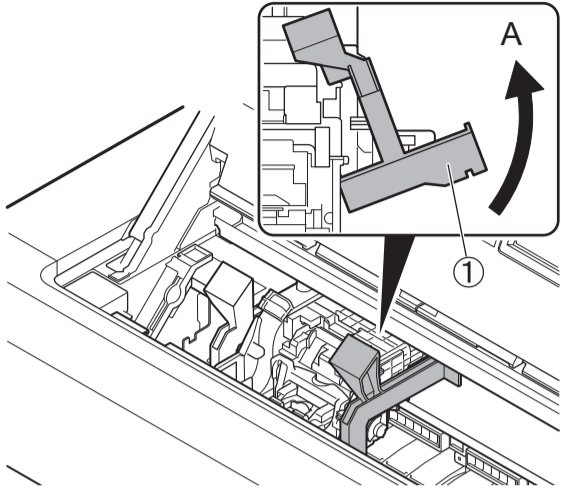
- Pele la cinta fijada al carro y, a continuación, retire el material de amortiguación.



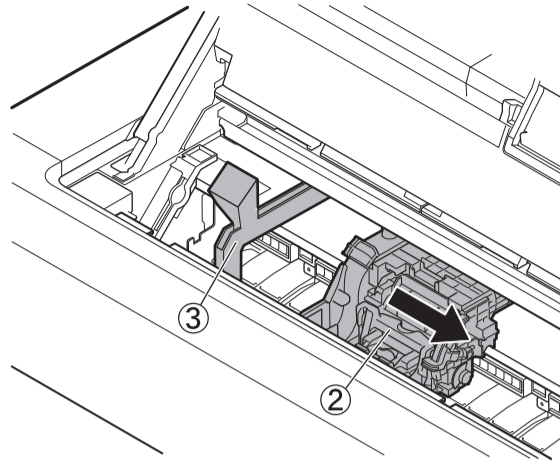
Nota

- El tope de la correa puede almacenarse en el cassette de accesorios (p. 15).

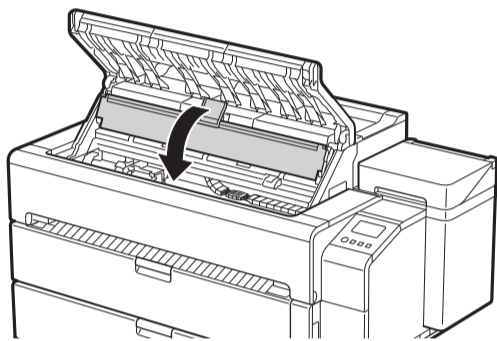
6 Gire el material de protección ① en la dirección A para extraerlo.



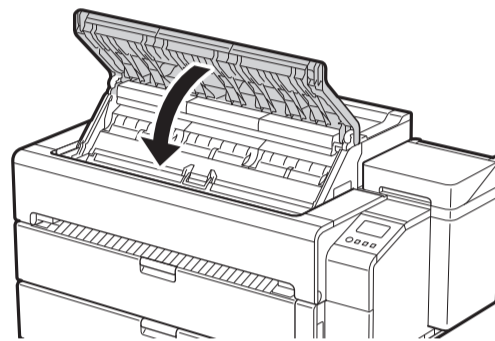
7 Desplace el carro ② en la dirección de la flecha y retire el material de protección ③.



8 Cierre la cubierta interior.

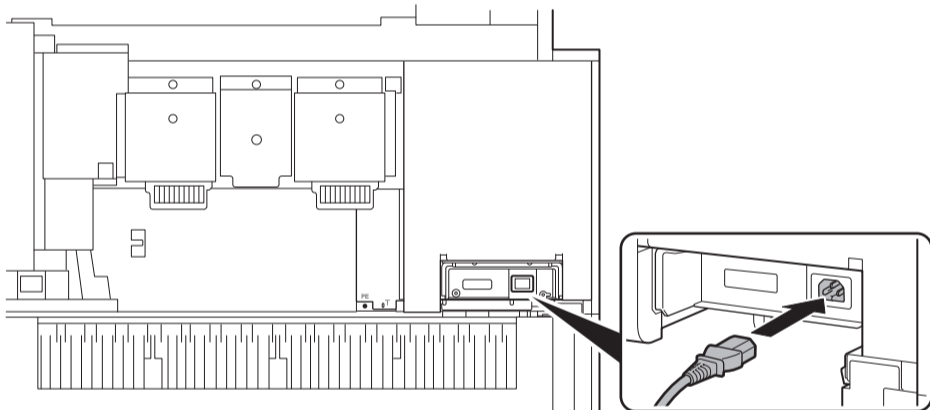


9 Cierre la cubierta superior.

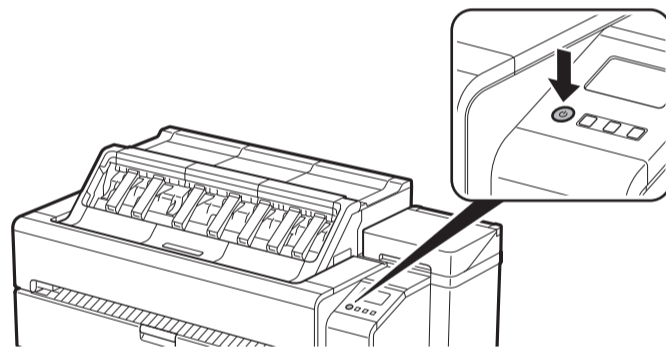


10 Conecte el cable de alimentación a la impresora.

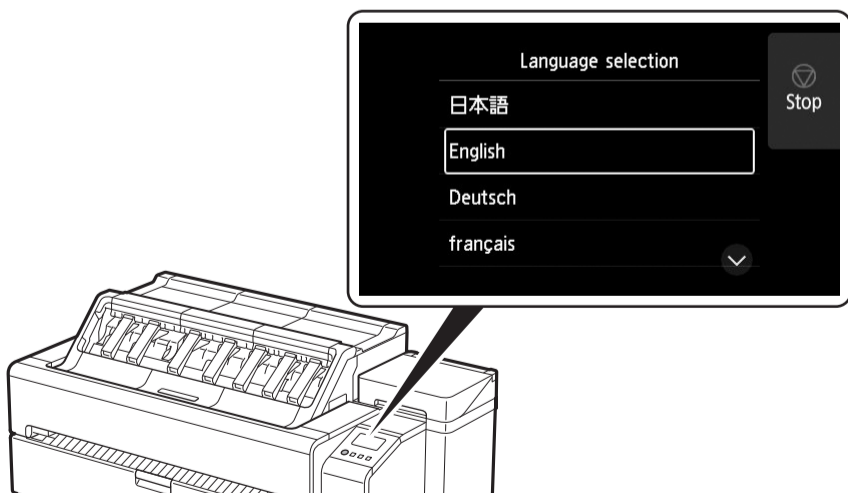
- Inserte el cable de alimentación en el conector de alimentación de la parte trasera de la impresora.



11 Enchufe el cable de alimentación a la toma de corriente y, a continuación, encienda la impresora.



12 Cuando aparezca la pantalla de selección de idioma en la pantalla táctil, seleccione y pulse suavemente con el dedo en un idioma. Después, si aparece la pantalla para seleccionar una zona horaria, seleccione y pulse su región.



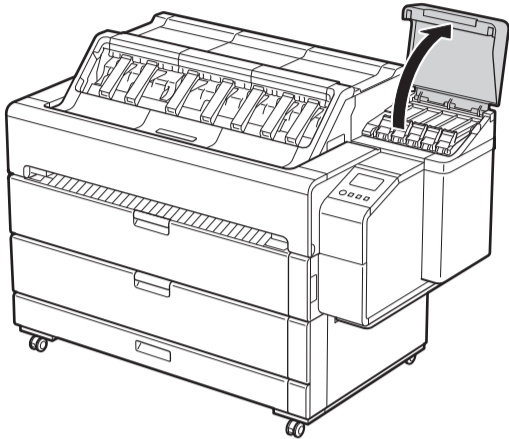
13 Al aparecer un mensaje solicitándole que inicie la configuración en la pantalla táctil, pulse **OK**.



3 Instalación de los depósitos de tinta

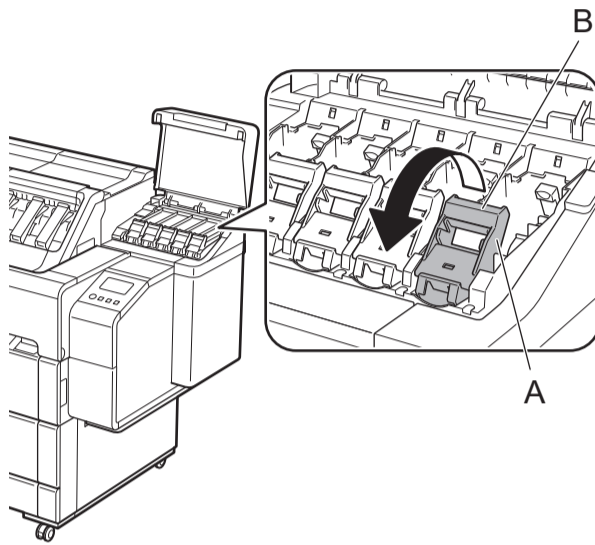
Las instrucciones sobre la instalación de los depósitos de tinta se muestran en la pantalla táctil. Instale los depósitos de tinta de acuerdo con las instrucciones. Si el depósito de tinta está frío, deje que se ajuste a la temperatura ambiente antes de colocarlo en la impresora.

1 Abra la cubierta del depósito de tinta.

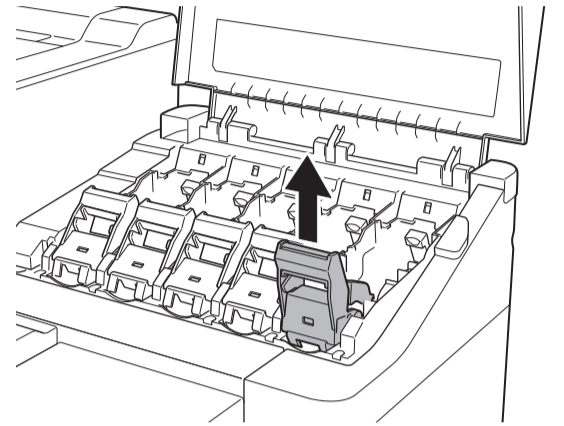


2 Libere la palanca de bloqueo del depósito de tinta del color que vaya a instalar.

- Mientras presiona el botón en la posición (B), levante la parte para sujetar (A) hacia usted.

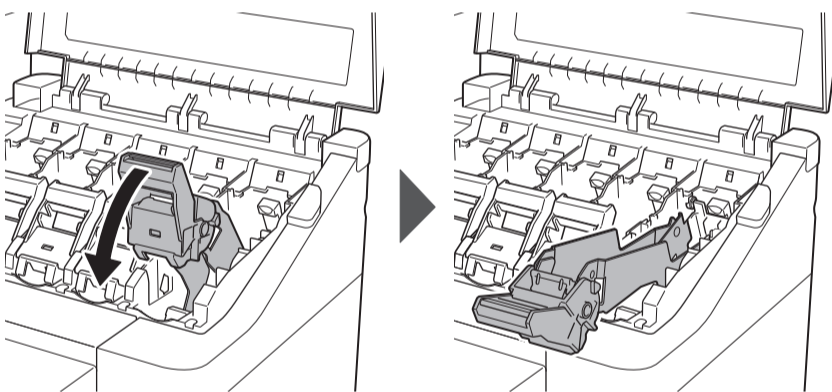


3 Con esta en este estado, tire de la palanca de bloqueo del depósito de tinta hacia arriba.

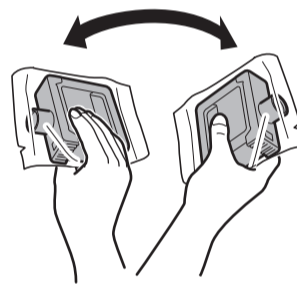


4 Continúe tirando hasta que la totalidad de la palanca de bloqueo del depósito de tinta esté inclinada hacia usted.

- Asegúrese de que la palanca de bloqueo del depósito de tinta permanezca en esta posición.



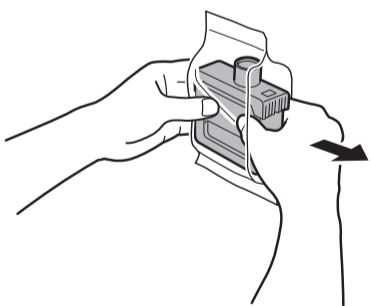
5 Agite suavemente cada depósito de tinta 7 u 8 veces antes de abrir su bolsa.



Importante

- El no agitar los depósitos de tinta puede resultar en la reducción de la calidad de impresión debido a que los ingredientes están sedimentados en el fondo del depósito.

6 Abra la bolsa y extraiga el depósito de tinta.



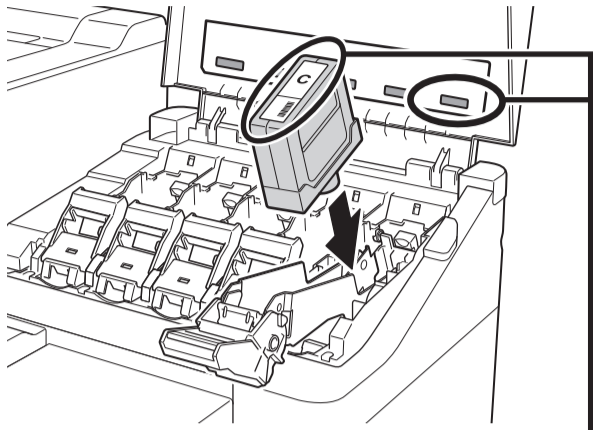
Importante

- No toque nunca las salidas de tinta ni los contactos metálicos (el área que se ve sombreada en el diagrama). Si toca estas piezas, puede provocar manchas, dañar el depósito de tinta, y afectar a la calidad de impresión.
- Evite que el depósito de tinta se caiga después de retirarlo de la bolsa. De lo contrario, la tinta podría gotear y provocar manchas.
- No retire los depósitos de tinta para agitarlos una vez montados. Si lo hiciese, la tinta podría derramarse.



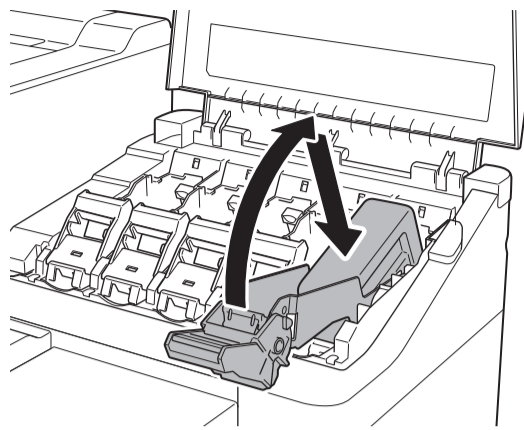
7 Compruebe que el color del depósito de tinta sea igual al que se muestra en la etiqueta en la impresora, e inserte el depósito de tinta en el soporte siguiendo la orientación mostrada en el diagrama.

- Inserte con la etiqueta del depósito de tinta hacia arriba y asegúrese de que el texto de la etiqueta no esté al revés.

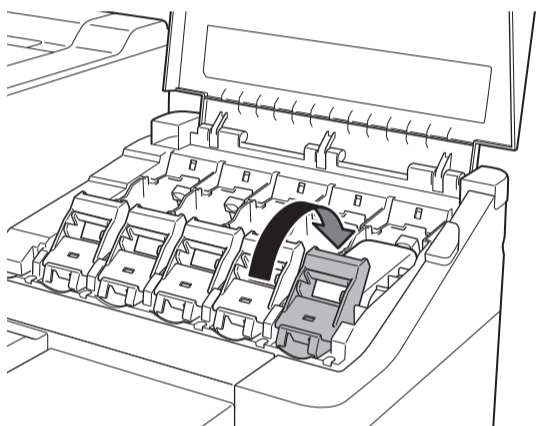


Haga coincidir el color de la etiqueta del depósito de tinta con el color de la etiqueta de la impresora

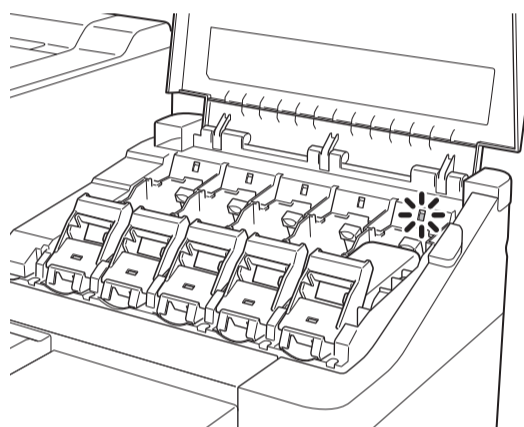
8 Levante la palanca de bloqueo del depósito de tinta una vez y luego empujela hacia abajo.



9 Empuje firmemente hacia abajo la parte para sujetar de la palanca de bloqueo del depósito de tinta en todo su recorrido.



10 Asegúrese de que la lámpara de tinta se ilumine en rojo.

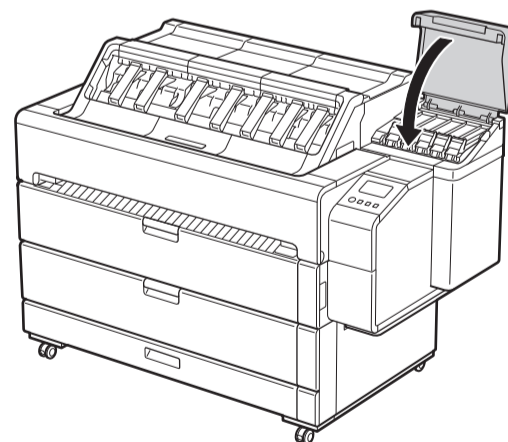


Importante

- Si la lámpara de tinta no se iluminara, repita los pasos 2 a 4 y 8 a 9.

11 Repita los pasos 2 a 10 para instalar cada uno de los depósitos de tinta.

12 Cierre la cubierta del depósito de tinta. Cuando aparezca la pantalla para confirmar la instalación del depósito de tinta, pulse **Aceptar (OK)**.

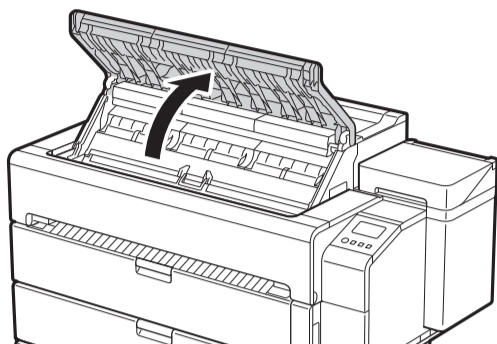


Importante

- No abra la cubierta superior ni la cubierta interior. Podría producirse un error. Si se produjera un error, apague la impresora, cierre la cubierta superior y la cubierta interior y, a continuación, enciéndala de nuevo.

Ahora se muestran en la pantalla táctil instrucciones relativas a la instalación del cabezal de impresión. Instale el cabezal de impresión siguiendo las instrucciones.

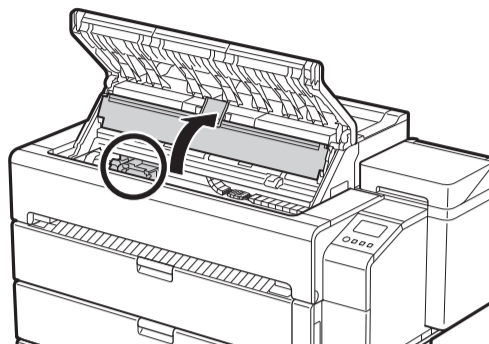
- 1** Cuando aparezca el mensaje **Abrir la tapa superior. (Open the top cover.)** en la pantalla táctil, abra la cubierta superior.



Importante

- Si se abriera la cubierta superior antes de que aparezca el mensaje **Abrir la tapa superior. (Open the top cover.)** en la pantalla táctil, podría producirse un error. Si se produjera un error, apague la impresora, cierre la cubierta superior y, a continuación, enciéndala de nuevo.

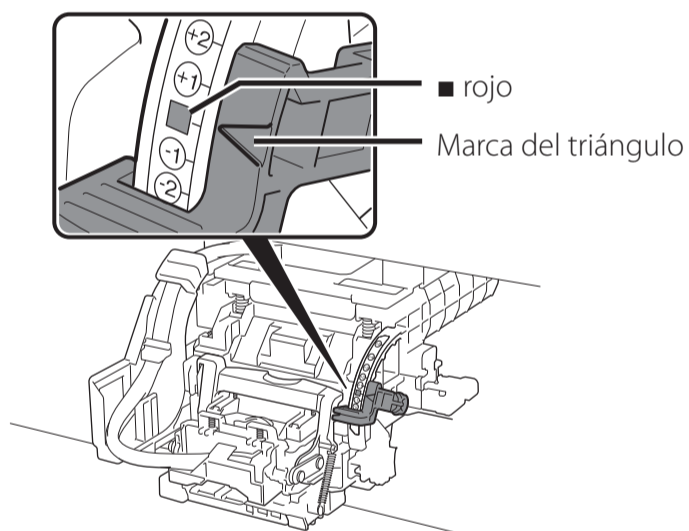
- 2** Abra la cubierta interior.



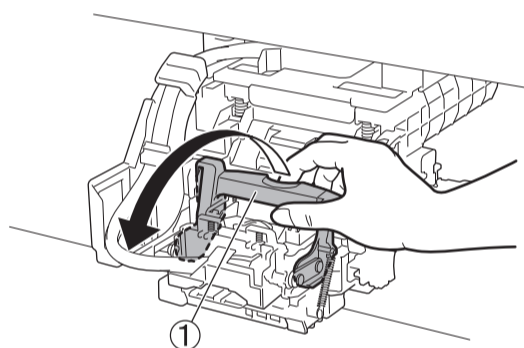
Importante

- No mueva el carro (el área encerrada en un círculo en el diagrama). Si lo moviera de manera accidental, cierre temporalmente la cubierta interior y la cubierta superior y este volverá a su posición original.

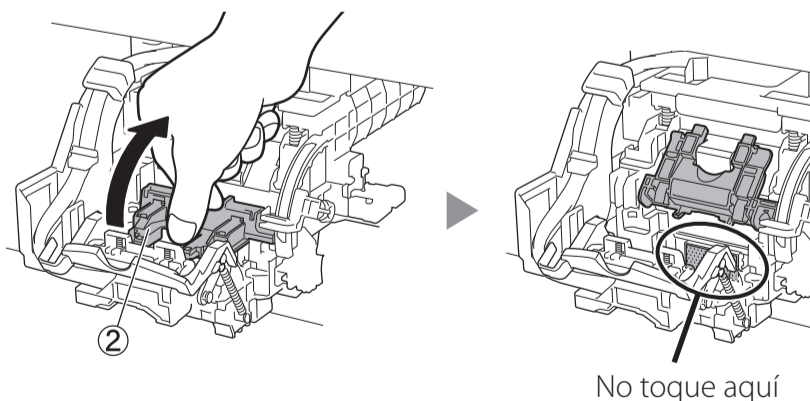
- 3** Compruebe que la marca del triángulo de la palanca de ajuste de ángulo esté alineada con el ■ rojo. Si no estuvieran alineados, desplace la palanca de ajuste de ángulo hacia arriba o hacia abajo para alinearla con el ■.



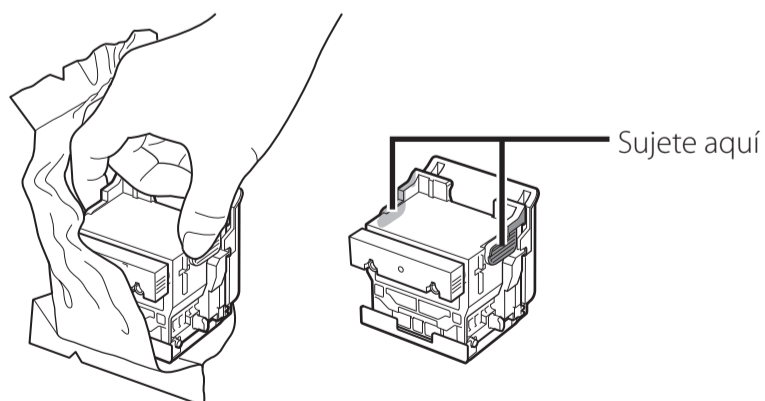
- 4** Incline la palanca de bloqueo del cabezal de impresión ① hacia usted.



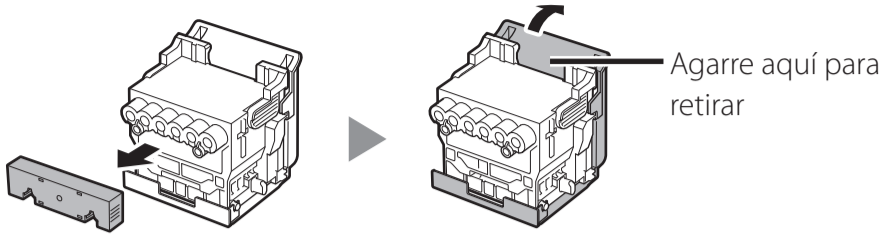
- 5** Abra la cubierta de bloqueo del cabezal de impresión ② siguiendo las instrucciones de la pantalla y pulse **Aceptar (OK)**. No toque los contactos eléctricos del carro.



- 6** Sujete el cabezal de impresión tal como se observa en el diagrama y retírelo de la bolsa.

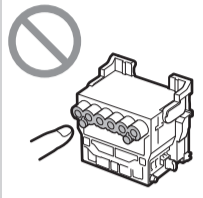


7 Retire las tapas protectoras de color naranja en el orden mostrado en el diagrama.



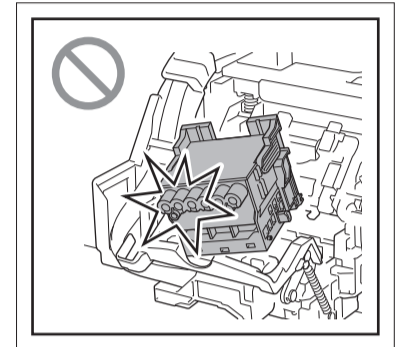
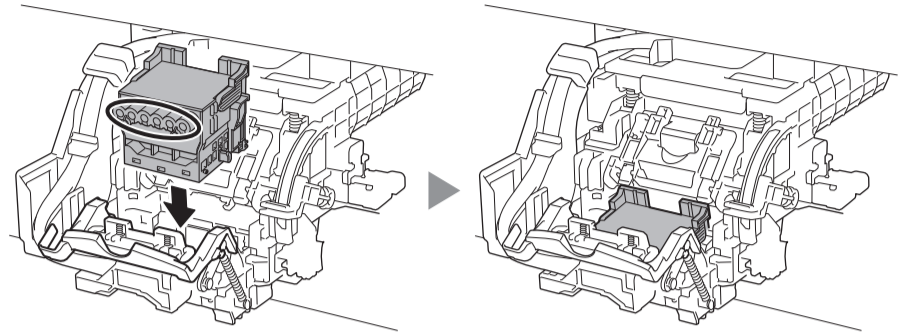
Importante

- No toque bajo circunstancia alguna la parte protegida por la tapa protectora (parte que se ve sombreada en el diagrama). Si la toca podría dañar el cabezal de impresión o tener problemas de impresión.
- El cabezal de impresión contiene tinta. Preocúpese por evitar que su ropa y los objetos cercanos se ensucien al retirar las tapas protectoras. Se recomienda retirar las tapas protectoras situadas sobre la bolsa que contenía el cabezal de impresión.
- No vuelva a colocar las tapas protectoras después de retirarlas. Descártelas de acuerdo con las normativas locales.

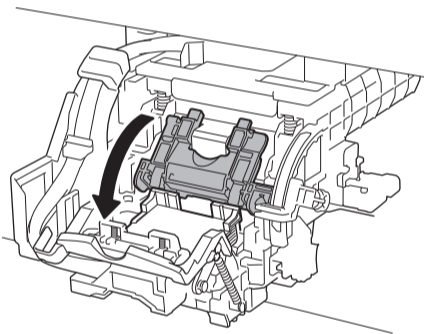


8 Instale el cabezal de impresión.

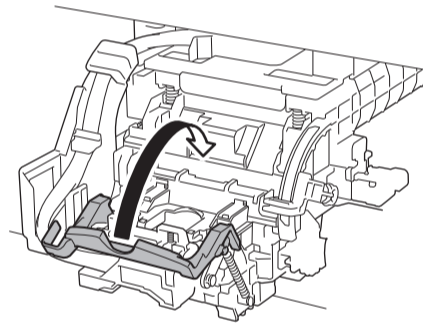
- Alinee el cabezal de impresión de manera que el área encerrada en un círculo en el diagrama esté frente a usted, y con cuidado empuje el cabezal de impresión hacia la impresora, asegurándose de que la parte cubierta por las tapas protectoras no toque el carro.



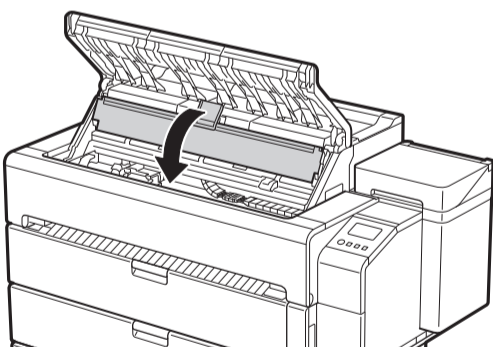
9 Baje la cubierta de bloqueo del cabezal de impresión hacia usted para asegurar el cabezal de impresión en su lugar.



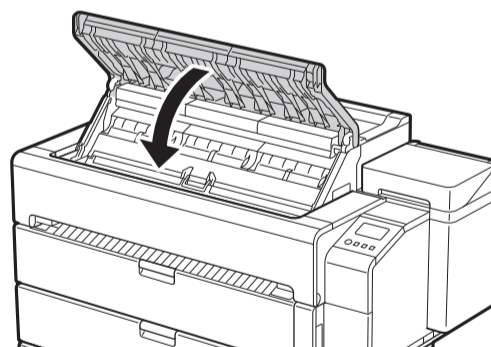
10 Empuje la palanca de bloqueo del cabezal de impresión hasta llegar al final.



11 Cierre la cubierta interior.



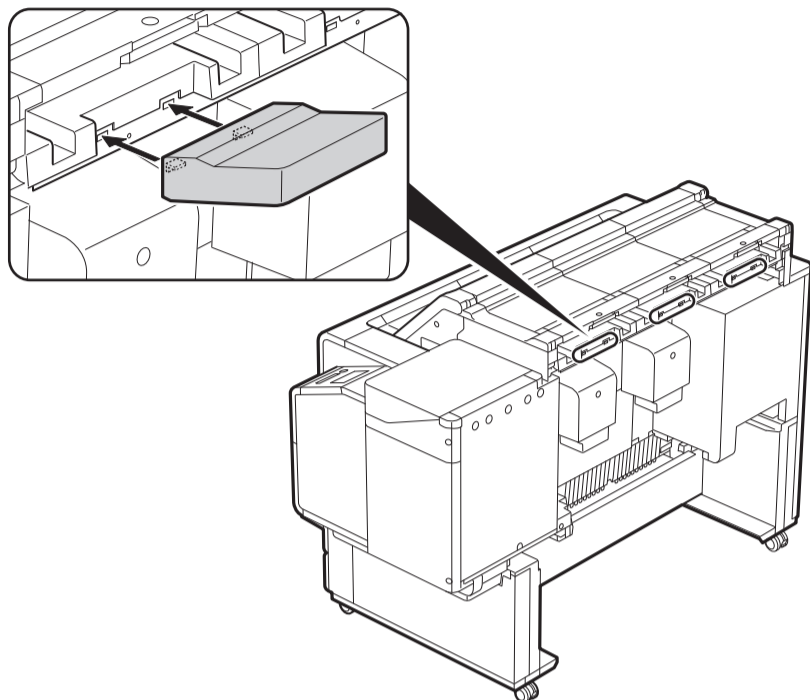
12 Cierre la cubierta superior.



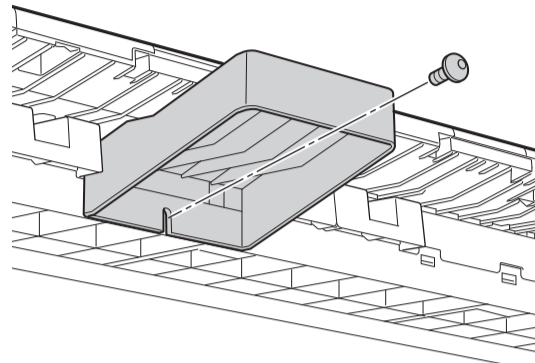
5 Instalación de los soportes de la salida del papel y de las guías de salida superiores

5-1 Instalación de los soportes de la salida del papel

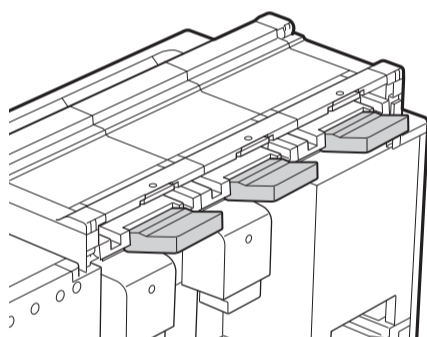
1 Acople los soportes de la salida del papel a la impresora.



2 Fije con los tornillos.

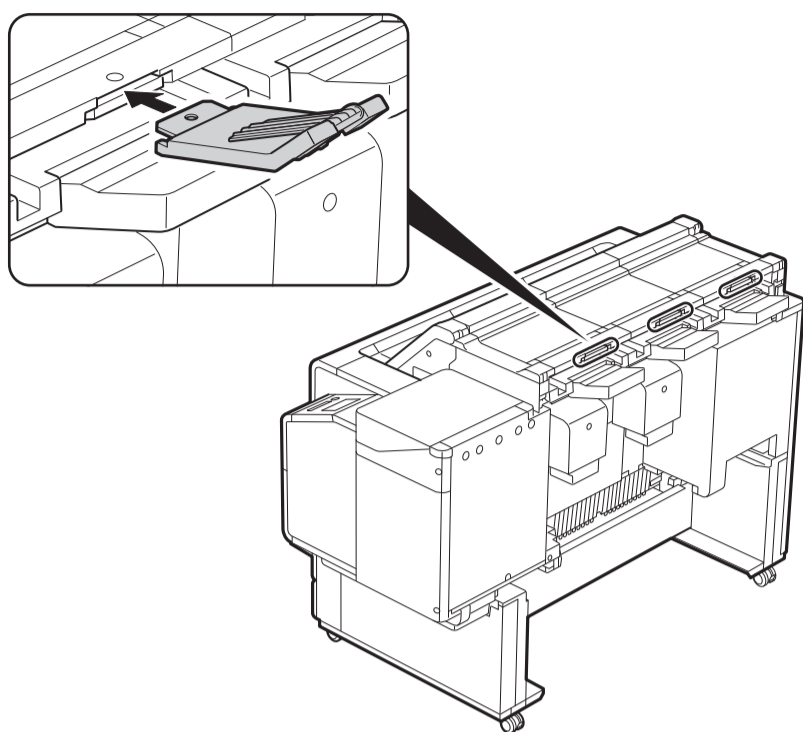


3 Repita los pasos 1 a 2 para instalar cada uno de los soportes de la salida del papel.

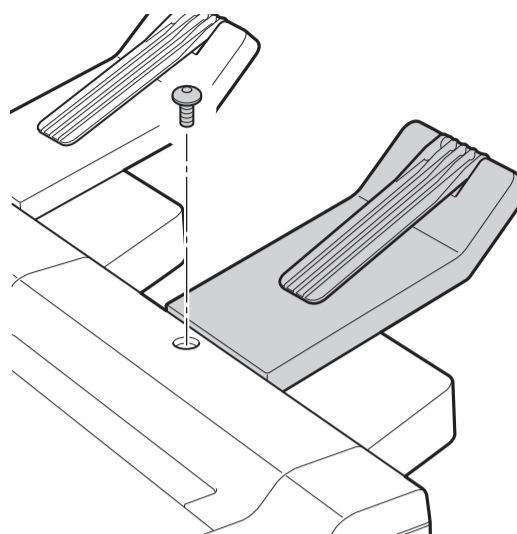


5-2 Instalación de las guías de salida superiores

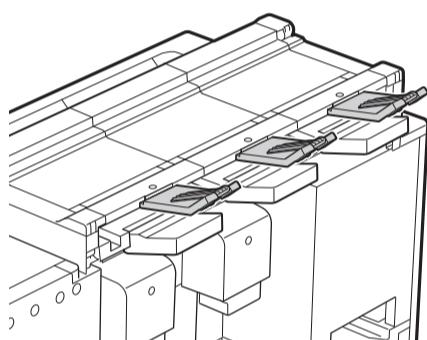
1 Acople las guías de salida superiores a la impresora.



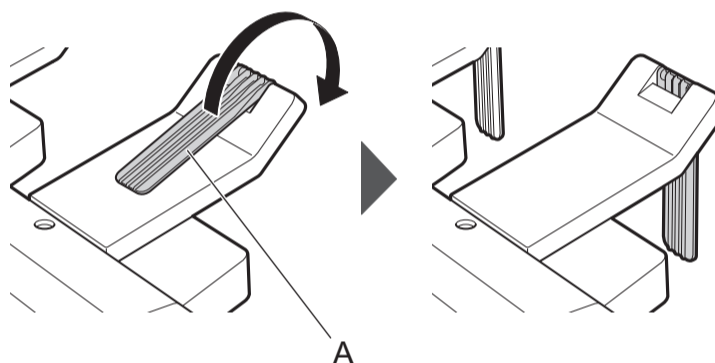
2 Fije con los tornillos.



3 Repita los pasos 1 a 2 para instalar cada una de las guías de salida superiores.

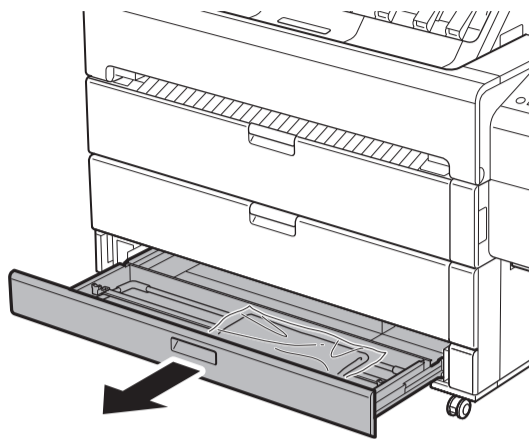


4 Abra (A) en la dirección de la flecha.

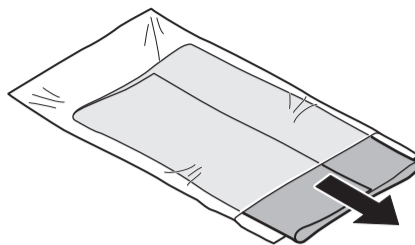


6 Preparación de la cesta

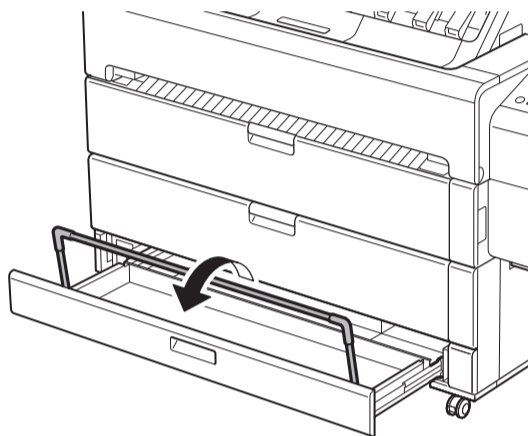
1 Extraiga el cassette de accesorios.



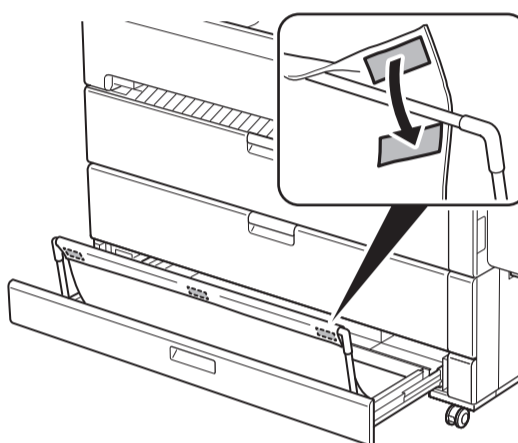
2 Retire la tela de la cesta de la bolsa.



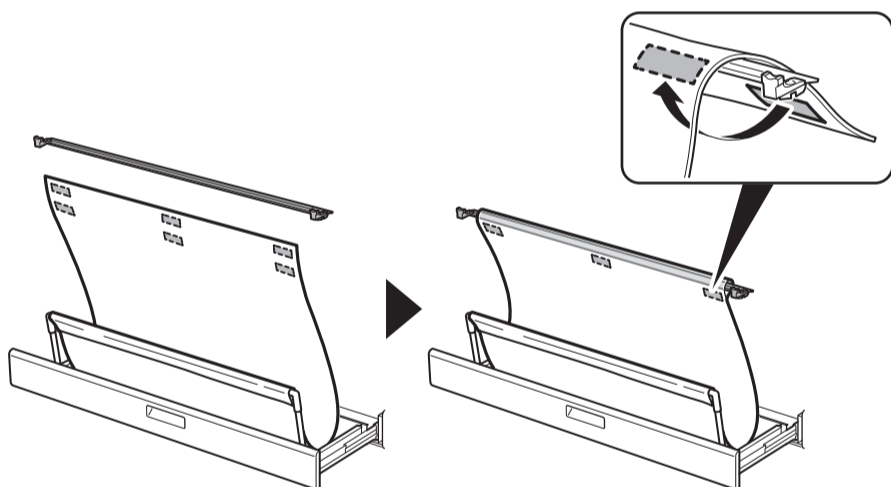
3 Levante los brazos de la cesta.



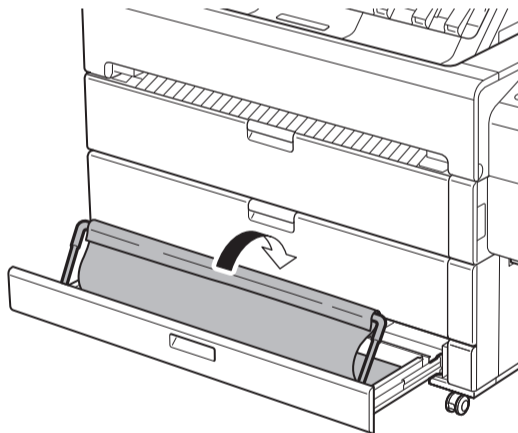
4 Fije la tela de la cesta al brazo de la cesta en 3 ubicaciones.



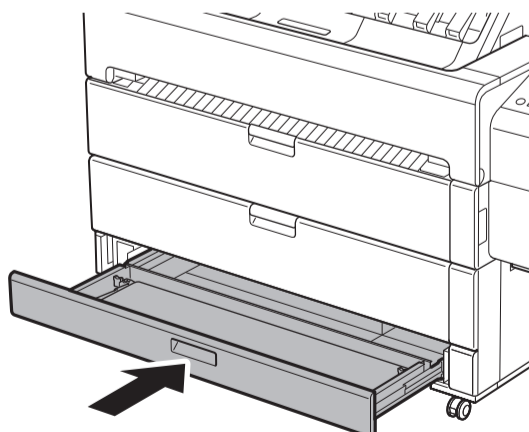
5 Fije la tela de la cesta a la barra de tope de la cesta en 3 ubicaciones.



6 Pliegue el brazo de la cesta para guardar la tela de la cesta en el cassette de accesorios.



7 Cierre el cassette de accesorios.

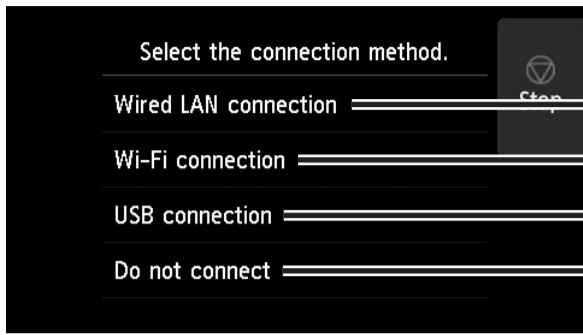


 Nota

- Consulte la Guía rápida para obtener información acerca de cómo utilizar la cesta.

7 Selección del método de conexión a su ordenador

Cuando aparezca algo parecido a lo siguiente en la pantalla táctil, pulse el método de conexión.



Conecte la impresora a la red con un cable LAN.

Conecte la impresora a la red de forma inalámbrica.

Conecte la impresora al ordenador con un cable USB.

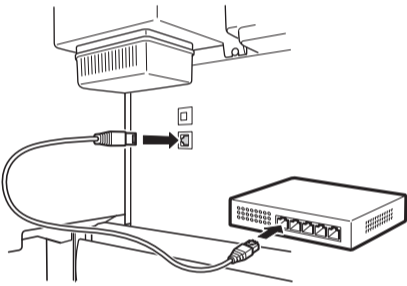
Seleccione esta opción cuando la conexión se haga a través de una dirección IP fija. Los parámetros de conexión y la instalación del software tendrán que realizarse por separado. Comience por los parámetros en la pantalla táctil de la impresora.

Conexión LAN cableada (Wired LAN connection)

1 Seleccione **Conexión LAN cableada (Wired LAN connection)**. Revise el mensaje acerca del método de conexión y seleccione **Sí (Yes)** si no hay problemas.

- Se muestra un mensaje solicitándole que conecte el cable LAN.

2 Use el cable LAN para conectar el conector de LAN cableada de la parte trasera de la impresora al puerto hub.



3 Seleccione **Aceptar (OK)** y proceda con "Instalación del software en su ordenador" (p. 14).

Conexión Wi-Fi (Wi-Fi connection)

1 Seleccione **Conexión Wi-Fi (Wi-Fi connection)**. Revise el mensaje acerca del método de conexión y seleccione **Sí (Yes)** si no hay problemas.

- Se mostrará un mensaje solicitándole que configure la conexión Wi-Fi.

2 Seleccione **Sí (Yes)** y continúe con "Instalación del software en su ordenador" (p. 14).

- Para configurar los parámetros de la impresora, seleccione **No** y continúe con "Configuración de los parámetros de Wi-Fi en la pantalla táctil de la impresora" (columna a continuación).

Conexión USB (USB connection)

1 Seleccione **Conexión USB (USB connection)**. Revise el mensaje acerca del método de conexión y seleccione **Sí (Yes)** si no hay problemas.

- No conecte todavía el cable USB.

2 Seleccione **Aceptar (OK)** y proceda con "Instalación del software en su ordenador" (p. 14).

Importante

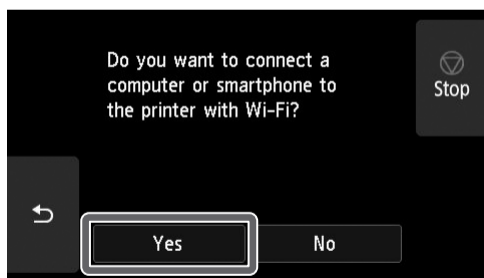
- La impresora empezará a cargar la tinta por vez primera* y realizará el ajuste de los cabezales de impresión. Esto requiere aproximadamente 25 minutos. No abra las cubiertas de la impresora ni la apague durante este tiempo.

* Carga tinta entre el depósito de tinta y el cabezal de impresión y realiza la limpieza para mantener la impresora en un estado óptimo. Es posible que esto haga que el indicador de tinta restante y el indicador de capacidad del cartucho de mantenimiento bajen un poco. Debido a que los depósitos de tinta incluidos son para la instalación inicial, se le recomienda comprar rápidamente depósitos de tinta de repuesto.

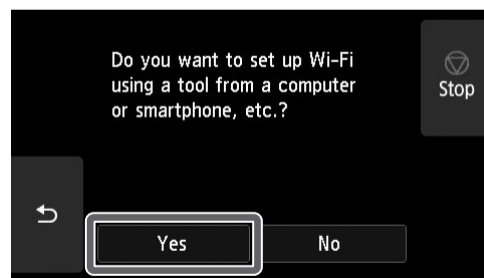
Configuración de los parámetros de Wi-Fi en la pantalla táctil de la impresora

Para conexión Wi-Fi


1 Compruebe que aparezca la siguiente pantalla y pulse **Sí (Yes)**.

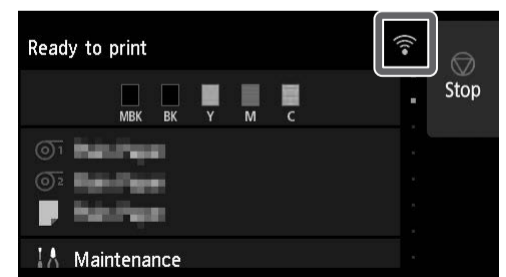


2 Compruebe que aparezca la siguiente pantalla y pulse **Sí (Yes)**.



3 Efectúe la configuración siguiendo las instrucciones en la pantalla.

- Cuando aparezca la pantalla de inicio y  (red), la configuración de Wi-Fi está completa.



Nota

- Si se muestra **Comprobación de los inyectores (Checking the nozzle), Rellenando el cabezal de impresión con tinta... (Preparing the ink system) o Limpiando... (Cleaning...)**, esto indica que no concluyó la configuración de los parámetros iniciales de la impresora. Espere hasta que aparezca la pantalla de arriba.

4 Proceda con "Instalación del software en su ordenador" (p. 14).

8 Instalación del software en su ordenador

Los parámetros de conexión de la impresora y la instalación del software se efectúan con un ordenador. Puede descargar el archivo de configuración desde nuestro sitio web. Si está usando un PC con Windows, también puede ejecutar el archivo desde el CD-ROM.

Descarga del sitio web

(Windows/macOS)

- 1 Vaya al sitio web de Canon en su ordenador.
<https://ij.start.canon/TZ-30000>
- 2 Haga clic en **Descargar (Download)** para descargar el archivo de configuración y, a continuación, ejecute el archivo.

- Si se muestra una pantalla de advertencia acerca de la descarga, seleccione **No bloquear (Do not block), Permitir (Allow)**, etc. y, a continuación, continúe con el paso siguiente.

Click Download to start setup.

Follow the on-screen instructions to complete the setup.



Arranque desde el CD-ROM incluido (Windows)

■ Si está usando Windows 10 o Windows 8.1



- 1 Inserte el CD-ROM de instalación en el ordenador.



- 2 Haga clic en el mensaje emergente para la unidad de disco y haga clic en **Ejecutar Msetup4.exe (Run Msetup4.exe)** en la pantalla que se muestra.

Nota

Si el mensaje no aparece (o ha desaparecido)

- ① Haga clic en  o  **Explorador de archivos (File Explorer)** en la barra de tareas.
- ② Haga clic en **Este equipo (This PC)** en el lado izquierdo de la ventana que se abre.
- ③ Haga doble clic en el icono de CD-ROM  del lado derecho de la ventana.
- ④ Cuando aparezca el contenido del CD-ROM, haga doble clic en **Msetup4.exe**.

■ Si está usando Windows 7


- 1 Inserte el CD-ROM de instalación en el ordenador.



- 2 Cuando aparece la pantalla **Reproducción automática (AutoPlay)**, haga clic en **Ejecutar Msetup4.exe (Run Msetup4.exe)**.

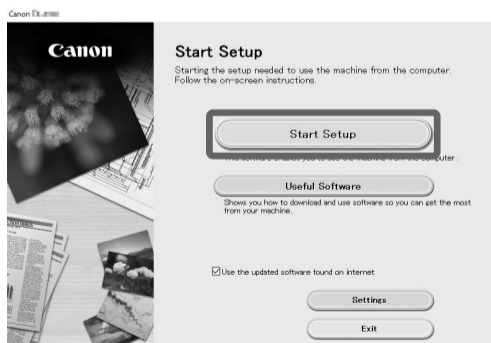
Nota

Si no aparece la pantalla **Reproducción automática (AutoPlay)**

- ① Haga clic en **Equipo (Computer)** desde el menú de inicio.
- ② Haga doble clic en el icono de CD-ROM  del lado derecho de la pantalla que se abre.
- ③ Cuando aparezca el contenido del CD-ROM, haga doble clic en **Msetup4.exe**.

- 3 Si aparece el cuadro de diálogo **Control de cuentas de usuario (User Account Control)**, haga clic en **Sí (Yes)** y continúe con el siguiente paso.

- 4 Haga clic en **Iniciar configuración (Start Setup)**. Efectúe la configuración siguiendo las instrucciones en la pantalla.



Nota

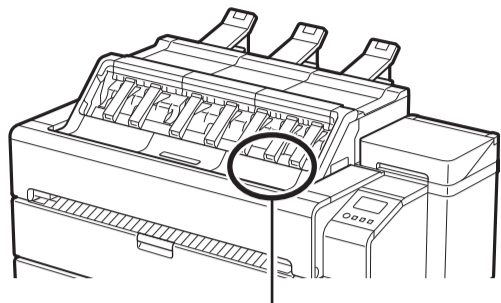
- Es posible que se muestre una pantalla para seleccionar el método de conexión de la impresora a mitad de la configuración. Si sucede esto, seleccione el método que seleccionó en la p. 13 y luego haga clic en **Siguiente (Next)** y continúe con el resto de la configuración.
- Conecte el cable USB en la ubicación correspondiente siguiendo las instrucciones de la pantalla.

Acerca de la etiqueta de manipulación del papel

Se incluye como accesorio una etiqueta que describe métodos de manipulación del papel.

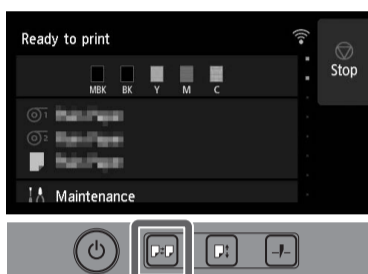
Péguela en la ubicación mostrada en el diagrama y consúltela cuando sea necesario.

También podrá acceder a vídeos utilizando el código QR de la etiqueta.



Posición para pegar la etiqueta

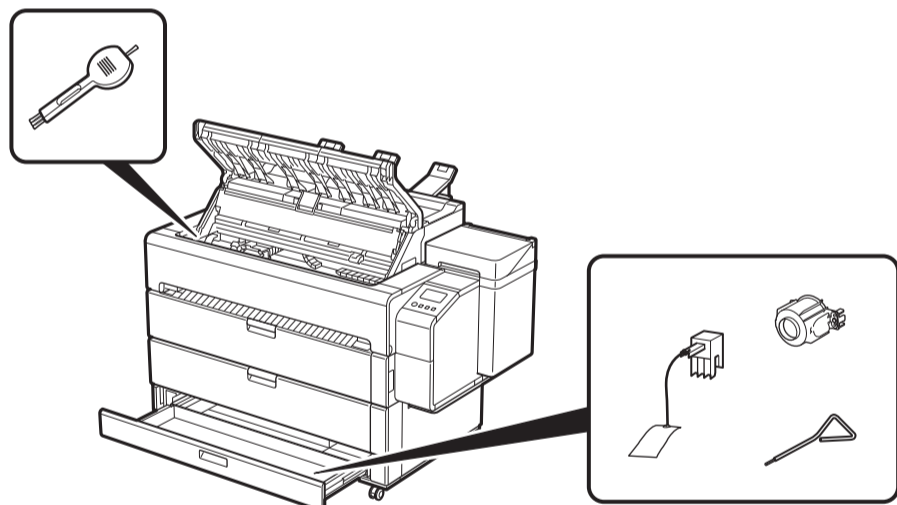
Carga del papel



1. Pulse (Cargar).
2. Seleccione el papel.
3. Siga las instrucciones que aparecen en la pantalla.

Almacenamiento de accesorios

Cuando abra la cubierta interior, verá un cepillo de limpieza (para limpiar el interior) almacenado en el lado izquierdo. El cassette de accesorios puede usarse para guardar accesorios como las sujeciones de tubo de papel de tres pulgadas, los topes de las correas y las llaves Allen.



Impresión desde un teléfono inteligente o una tableta

Con el software de aplicación "Canon PRINT Inkjet/SELPHY", fácil y de manera inalámbrica usted puede imprimir fotos guardadas en su teléfono inteligente o tableta (con iOS o Android).



iOS

Busque "Canon Print" en App Store.

Android

Busque "Canon Print" en Google Play.



Nota

- También podrá descargar la aplicación accediendo al sitio web de Canon mediante el código QR de la derecha.



Visualización del Manual en línea

El Manual en línea describe cómo usar la impresora. Se puede acceder a este desde el sitio web de Canon tal como se muestra a continuación.

1 Acceda al sitio web de Canon a través de cualquiera de los siguientes métodos.

- Ingrese la URL

<https://ij.start.canon>

Seleccione el número de modelo de la impresora que esté utilizando.

- Escanee el código QR



2 Seleccione Leer el Manual en línea (Read Online Manual).

- Efectúe las operaciones restantes siguiendo las instrucciones de la pantalla para mostrar el Manual en línea.

Marcas comerciales

Windows es una marca comercial o marca comercial registrada de Microsoft Corporation en EE.UU. y/o en otros países.

macOS y App Store son marcas comerciales de Apple Inc., registradas en los EE.UU. y en otros países.

iOS es una marca comercial o registrada de Cisco en los EE.UU. y en otros países y se utiliza bajo licencia.

Android es una marca registrada o una marca comercial de Google Inc. Google Play y el logotipo de Google Play son marcas comerciales de Google LLC.

El código QR es una marca registrada de DENSO WAVE INCORPORATED en Japón y en otros países.

Respuesta a los mensajes

Es posible que aparezcan mensajes de error en la pantalla táctil del panel de control cuando configure la impresora. Esto podría no indicar un problema con la impresora, y que la incidencia pueda resolverse fácilmente. Los mensajes y las causas más comunes se muestran a continuación, junto con las acciones correctivas. Para más información sobre otros mensajes, consulte el Manual en línea.

Mensaje	Causa	Acción correctiva
El depósito de tinta no está instalado. Instale el depósito de tinta correctamente.	No hay ningún depósito de tinta cargado.	Instale o reinstale el depósito de tinta. (consulte los pasos 1 a 12 de la p. 6 y de la p. 7).
	El depósito de tinta no encaja firmemente en su lugar.	
No se reconoce correctamente el cabezal de impresión. Abra la cubierta superior y la cubierta interior e instale el cabezal de impresión correcto.	El cabezal de impresión no está instalado.	Instale el cabezal de impresión. (consulte los pasos 1 a 12 de la p. 8 y de la p. 9).
	Falla del contacto eléctrico en el cabezal de impresión.	Retire el cabezal de impresión, asegúrese de que no haya suciedad adherida a los contactos eléctricos del cabezal de impresión y el carro, y después vuelva a instalar el cabezal de impresión.
Error de hardware ECxx-xxxx (x representa una letra o número) Error de impresora. Apague el dispositivo, espere un momento y enciéndalo de nuevo.	El tope de la correa o la cinta del interior de la cubierta superior no se han retirado.	Desconecte la alimentación, abra la cubierta superior, y retire la cinta y el tope de la correa; después encienda la alimentación. (consulte los pasos 1 a 9 de la p. 4 y de la p. 5).
	Se abrió la cubierta interior mientras se cargaba tinta.	Apague la impresora, cierre la cubierta interior y la cubierta superior, prepare los depósitos de tinta de sustitución y, a continuación, vuélvala a encender.
	Puede haber encontrado un error que no puede resolverse.	Apague la impresora y espere durante 3 o más segundos antes de volver a encenderla. Si vuelve a aparecer el mensaje, escriba el código de error y el mensaje, apague la impresora, y póngase en contacto con su distribuidor de Canon para obtener asistencia.
Error ECxx-xxxx (x representa una letra o un número) Error de impresora. Consulte el manual y contacte con el centro de servicio.	Puede haber encontrado un error que no puede resolverse.	Escriba el código de error y el mensaje, apague la impresora, y póngase en contacto con su distribuidor de Canon para obtener asistencia.